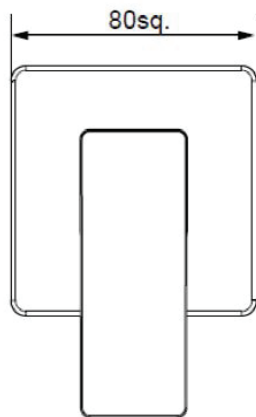
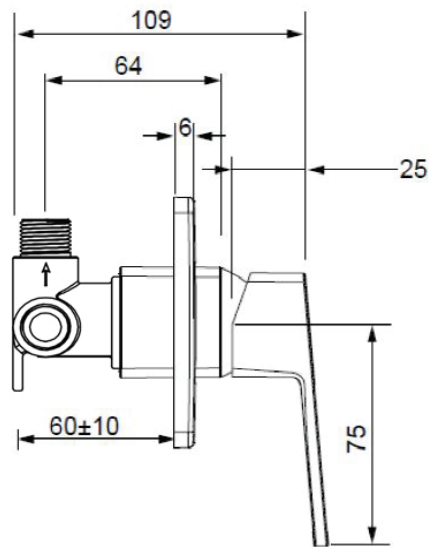


## BLAZE SHOWER MIXER



**CONSTRUCTION:** Brass body

**CARTRIDGE TYPE:** 25 mm ceramic

**SUPPLY:** Suitable for mains pressure only

**INLET CONNECTIONS:** 1/2" BSP Male

**WORKING PRESSURE:** 150 - 1000kPa

**DIMENSIONS FOR FITTING :** To suit 70mm wall cavity or greater

**OPERATING TEMPERATURE:** 5 °C - 80 °C

- Easy to grip handle
- Solid brass construction for longevity
- Fixed metal dome covers to reduce missing parts
- Tiling template included with mixer body

BLHPSCP

Chrome

<http://www.methven.com/nz/>