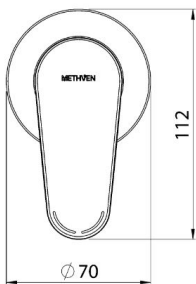
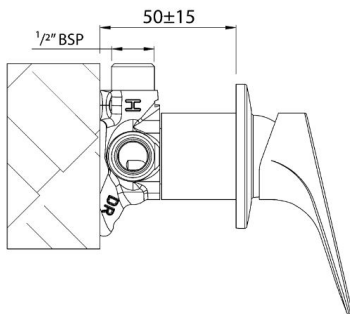


MAKU ULTRA SHOWER MIXER



CONSTRUCTION: DR (Dezincification Resistant) brass body

CARTRIDGE TYPE: Ceramic (SP033805)

CLASSIFICATION: Suitable for mains pressure only

INLET CONNECTIONS: 1/2" BSP

WORKING PRESSURE: 150 - 1000kPa

DIMENSIONS FOR FITTING: 48mm diameter hole

OPERATING TEMPERATURE: 5 °C - 80 °C

- Small 70mm diameter metal faceplate
- Positive seal between the faceplate and the body
- Incorporates brass feet for ease of installation
- Use of a pressure limiting valve recommended if supply exceeds 500kPa
- Dezincification resistant (DR) brass body

MAHPUSCP

Chrome

<http://www.methven.com/nz/maku-ultra-shower-mixer>