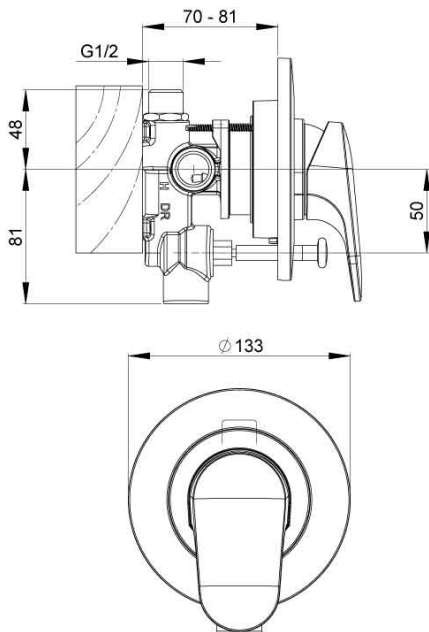


## KOHA SHOWER MIXER



**CONSTRUCTION:** Brass body

**CARTRIDGE TYPE:** Ceramic (SP033510)

**CLASSIFICATION:** Suitable for mains pressure only

**INLET CONNECTIONS:** 1/2" BSP

**WORKING PRESSURE:** 150 - 1000kPa

**DIMENSIONS FOR FITTING:**

**OPERATING TEMPERATURE:** 5 °C - 80 °C

- Large 133mm diameter metal faceplate
- Positive seal between the faceplate and the body
- Plunger diverter located under the handle to preserve clean design lines
- Diverter defaults to spout
- Concealed screws to positively fasten faceplate
- Non-return and flow restrictor in shower outlet
- Incorporates brass feet for ease of installation

KOSHDCP

Chrome

<http://www.methven.com/nz/koha-shower-mixer-with-diverter>