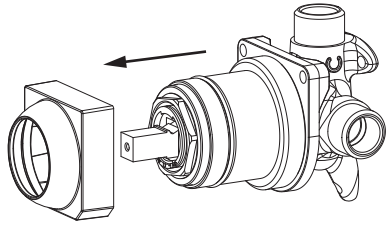


Ceramic Cartridge Adjustment

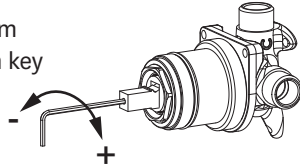
Do not remove the ceramic cartridge from the body assembly while carrying out the following adjustments. Note, the cartridge is factory set for maximum temperature.

Remove half-dome (if attached)

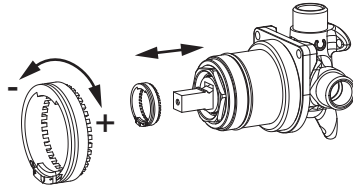


Flow limiting adjustment

1.5mm
Allen key



Mix temperature limiting adjustment



KIRI WALL MOUNTED SINGLE LEVER MIXER INSTALLATION GUIDE

TECHNICAL SPECIFICATIONS

Suitable for mains pressure only

Operating Pressure:

Min. 150 kPa, Max. 1000 kPa.

Recommended 150-500kPa.

Install a pressure limiting valve if supply exceeds 1000kPa.

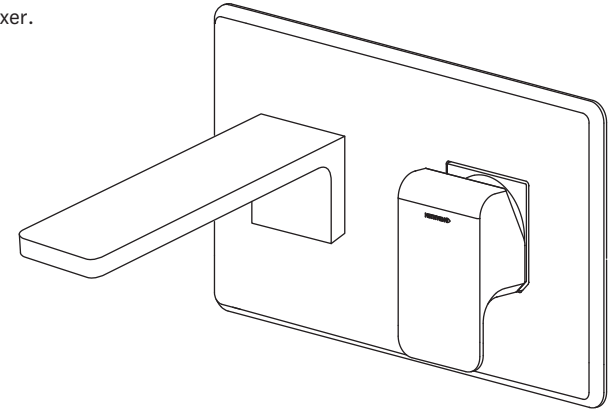
Operating Temperature:

Recommended 50°C at the mixer.

Max 80°C.

Inlet Connections:

All 1/2" BSP.



Methven warrants this product against manufacturing defects and that it is suitable for use under the operating conditions specified in this instruction sheet.

For your warranty please refer to www.methven.com or call Customer Service

New Zealand
0800 804 222

Australia
1300 638 483

USA
1800 975 5409

UK
0800 195 1602

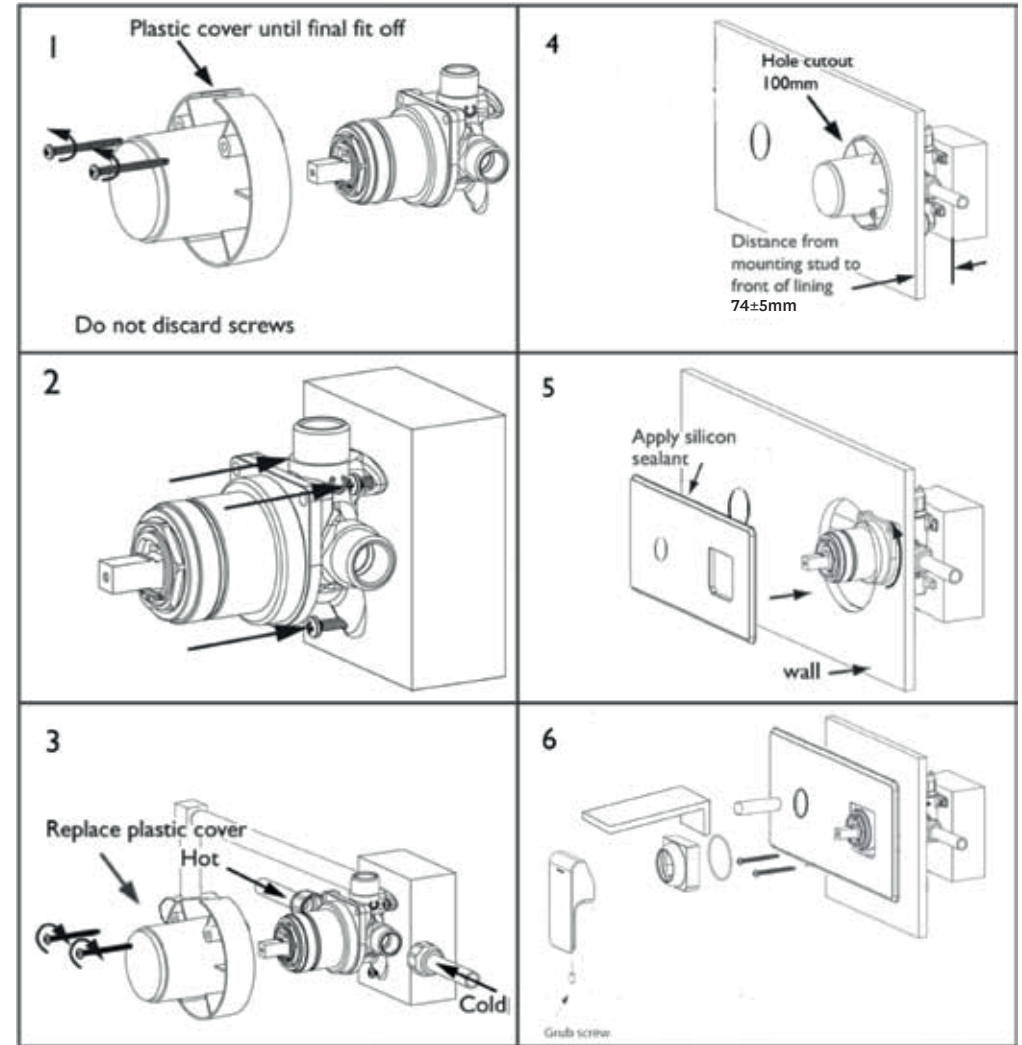
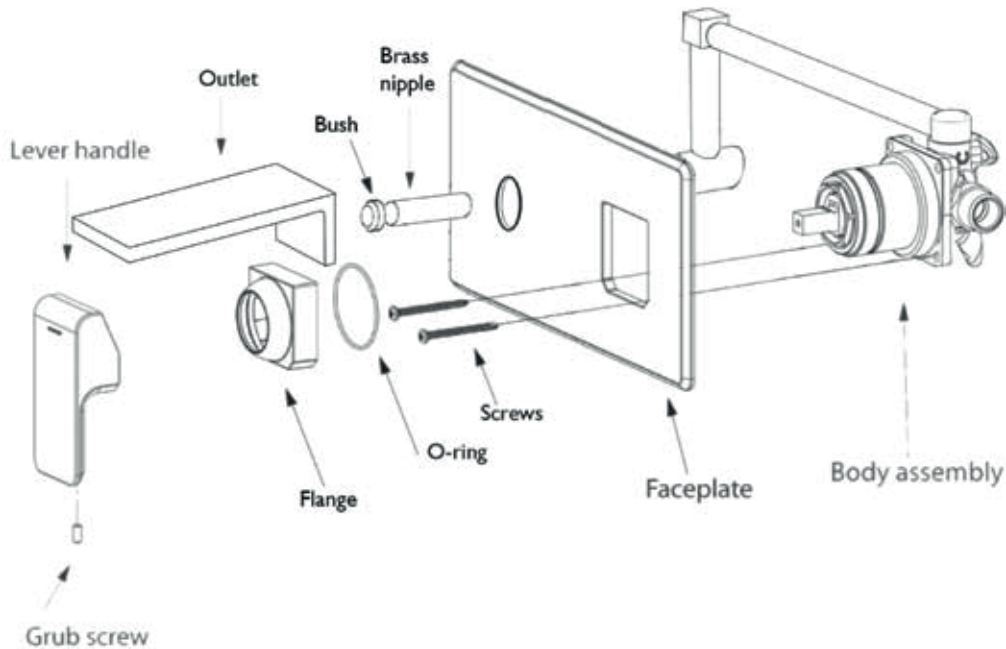


Please read all of the instructions before installation

Use of this product in non-domestic applications voids warranty.
All pipe work must be thoroughly flushed prior to the installation of the mixer.
NEFA inline filters must be installed on both hot and cold supplies.
Do not remove the ceramic cartridge from the mixer when installing.
Damage caused by hydrostatic testing is not covered by our warranty.

Avoid restrictive piping, fitting or sharp angled bends when plumbing the mixer. The maximum working pressure of the ceramic cartridge is 1000kPa. Do not hydrostatic test the installation with this mixer installed. Damage to the ceramic cartridge may occur.

Note: It is recommended to apply a bead of clear silicon sealant on back of the face plate before fixing to finished wall surface.



Final fit-off (number 6)

- A. Trim brass nipple to length, screw into body with sealing tape.
- B. Fit face plate to wall (use sealant) and fix with 2 screws as shown.
- C. Fit bush and outlet. *Note: Do not turn outlet against face plate to avoid marking.* Tighten with Allen key.
- D. Assemble 'O' ring, flange and handle.