

Echo Minimalist Wall Mount Shower with Divertor

EM8109



Important – Please read all of the instructions before installation

This Echo Minimalist Shower Divertor is designed for Mains Pressure systems only.

This mixer is not recommended for use in uncontrolled heating systems such as wetbacks or solar heater units unless a NEFA TLV valve is fitted.

ALL PIPEWORK MUST BE THOROUGHLY FLUSHED PRIOR TO INSTALLATION OF THE MIXER. AN INLINE FILTER MUST BE FITTED TO PREVENT FOREIGN PARTICLES DAMAGING THE CERAMIC CARTRIDGE.

Technical specifications

Operating Pressure

- Minimum 150kPa, Maximum 1000kPa
- Recommended 150-500kPa

Recommended installation of a pressure limiting valve if supply exceeds 500kPa

Operating Temperature

Hot – Minimum 55°C (at mixer), Maximum 80°C

Cold - Minimum 5°C

NB: New Zealand Building Code Clause G12 - Water Supplies specifies all outlets used primarily for personal hygiene shall deliver water at a safe temperature

Inlet Connections: All ½” BSP

Installation Instructions

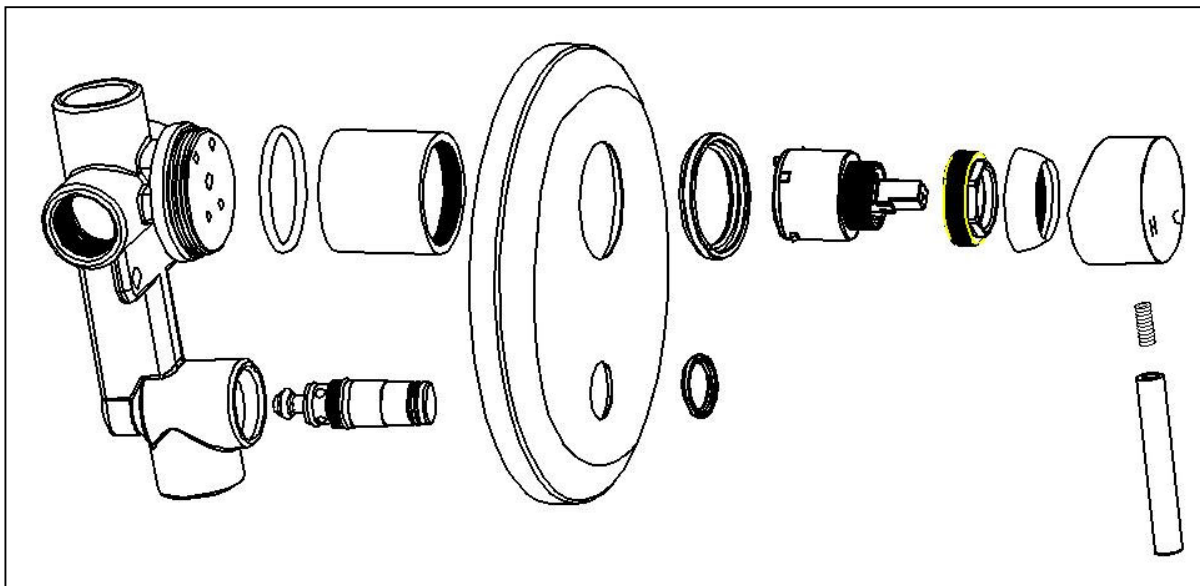
Ensure that the shower body protective cover is on the shower body. Remove the shower body protective cover only when fitting the faceplate and the lever handle.

Place the single lever mixer in its position in the wall cavity. The distance between the centre of the inlet connections to the outside face of the wall lining can be between 30 to 45mm. Connect the hot water supply to the left inlet, the cold water supply to the right inlet using Nipples provided.

Install the finished wall lining. The finish wall lining should have a hole of 100mm diameter in it to fit over the shower body and divertor knob.

Remove the shower body protective cover. Fit the faceplate, with drain hole to the bottom, over the shower body and divertor knob; ensure the seal fits around the barrel of the shower body. A bead of silicone seal between the face plate and the wall is recommended. Care should be taken not to block the drain hole.

Fit the lever cap to the end of the ceramic cartridge lever with the lever arm hole pointing downwards when the ceramic cartridge is in the intermediate mix position. Tighten the grub screw to lock the lever cap assembly onto the ceramic cartridge lever. Screw the lever arm onto the grub screw (hand tight).



Warranty

Methven warrants this product against manufacturing defects and that it is suitable for use under operating conditions specified in this instruction sheet.

For your warranty, please refer to www.methven.com or call Customer Service

New Zealand 0800 804 222	Australia 1300 638 483	USA 800 975 5409	UK 0800 195 1602
-----------------------------	---------------------------	---------------------	---------------------