

Echo Minimalist Basin Mixer

EM8101



Important – Please read all of the instructions before installation

This Echo Minimalist Basin Mixer is designed for Mains Pressure systems only.

This mixer is not recommended for use in uncontrolled heating systems such as wetbacks or solar heater units unless a NEFA TLV valve is fitted.

ALL PIPEWORK MUST BE THOROUGHLY FLUSHED PRIOR TO INSTALLATION OF THE MIXER. AN INLINE FILTER MUST BE FITTED TO PREVENT FOREIGN PARTICLES DAMAGING THE CERAMIC CARTRIDGE.

Technical specifications

Operating Pressure

- Minimum 150kPa, Maximum 1000kPa
- Recommended 150-500kPa

Recommended installation of a pressure limiting valve if supply exceeds 500kPa

Operating Temperature

Hot - Maximum 80°C

Cold - Minimum 5°C

NB: New Zealand Building Code Clause G12 - Water Supplies specifies all outlets used primarily for personal hygiene shall deliver water at a safe temperature

Inlet Connections: All ½” BSP

Installation Instructions

Do not remove the ceramic cartridge from the mixer when installing.

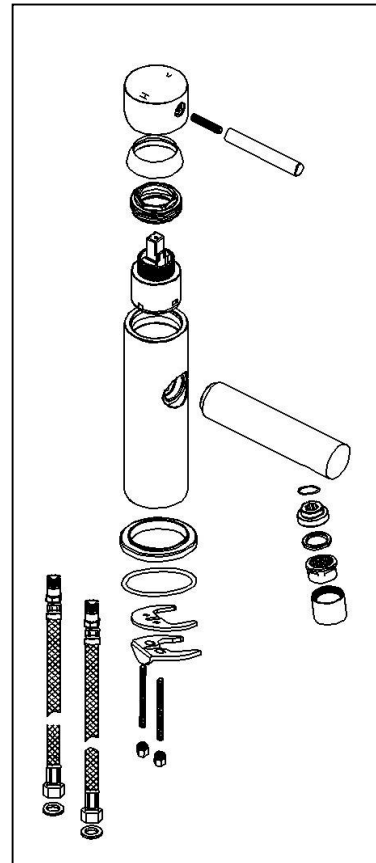
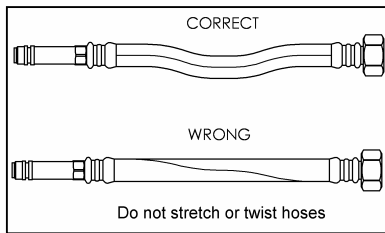
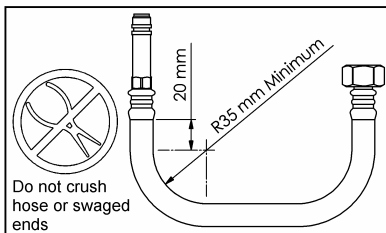
A single 35mm diameter hole is required in the mounting surface. The mount surface can be a maximum of 40mm thick.

Screw the threaded rods into the base of the mixer. Insert the o-ring into the groove in the bottom of the base ring and fit the base ring into the bottom of the basin mixer. Insert the flexible hoses through the hole in the mounting surface (from the underside) and screw them into the base of the basin mixer.

Feed the threaded rods through the hole in the mounting surface. Fit the mounting gasket and mounting plate onto the threaded rods. Tighten the mounting nuts to secure the basin mixer in place. Connect the flexible hoses to the hot and cold supplies (hot on the left, cold on the right).

Two rubber washers are provided for the flexible hose connections to the nipples. Nipples with machined ends are required to ensure a seal to the flexible hose nuts and the filter baskets.

Hose Requirements



Warranty

Methven warrants this product against manufacturing defects and that it is suitable for use under operating conditions specified in this instruction sheet.

For your warranty, please refer to www.methven.com or call Customer Service

New Zealand 0800 804 222	Australia 1300 638 483	USA 800 975 5409	UK 0800 195 1602
-----------------------------	---------------------------	---------------------	---------------------