

**COMPONENTS**

- Standard 4.5L Pan
- Polypropylene Cistern
- Polypropylene Seat

FEATURES

- Vitreous China Pan
- Polypropylene Cistern
- Fully Adjustable Full Flush – 4.5L, 6L & 9L
- Half Flush Volume 3L
- Polypropylene Seat – Reorder Code RGDFWH
- S or P Configurations Available
- Left or Right Side Entry

RELATED PRODUCTS & ACCESSORIES

- Dux Bathroom Solutions Range
- Centreflush 2 Cistern – CFDFUWWH2

PRODUCT CODE

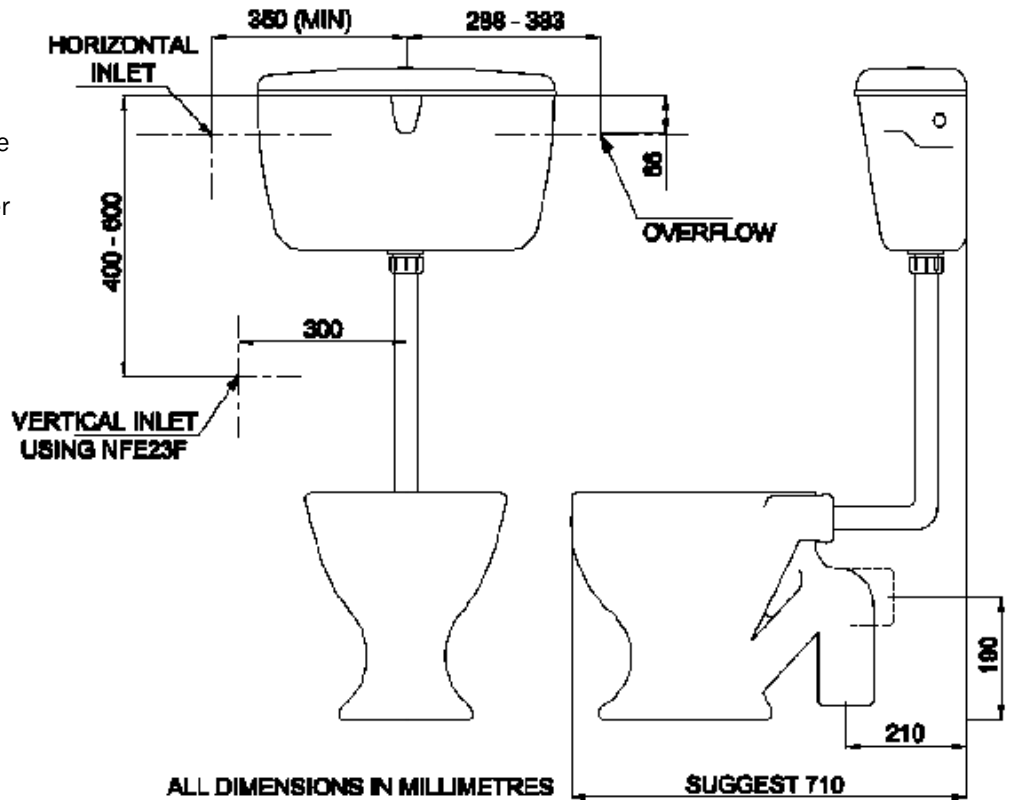
CFDFPPSWH – S Trap

CFDFPPPWH – P Trap

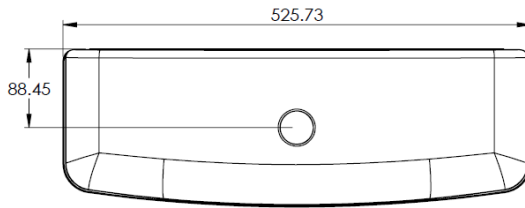
TECHNICAL SPECIFICATIONS**Pan:** 4.5L Standard Pan**Rim:** Open Style**S Setout:** 160 – 260mm**P Setout:** 180mm**Available Inlets:** Left or Right Side Entry**Seat:** Polypropylene Seat Reorder Code RGDFWH**S Pan Box Weight:** 13.5kg**P Pan Box Weight:** 13.7kg**Cistern Box Weight:**

Centreflush: 3.56kg

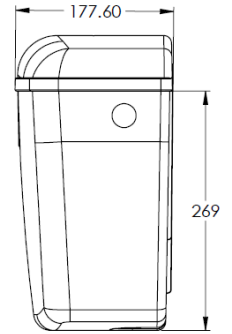
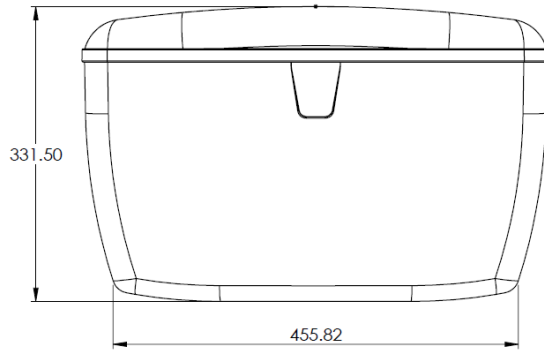
Centreflush2: 3.09kg



All dimensions are in millimetres and subject to normal manufacturing tolerances. Dux reserves the right to vary specifications without notice.

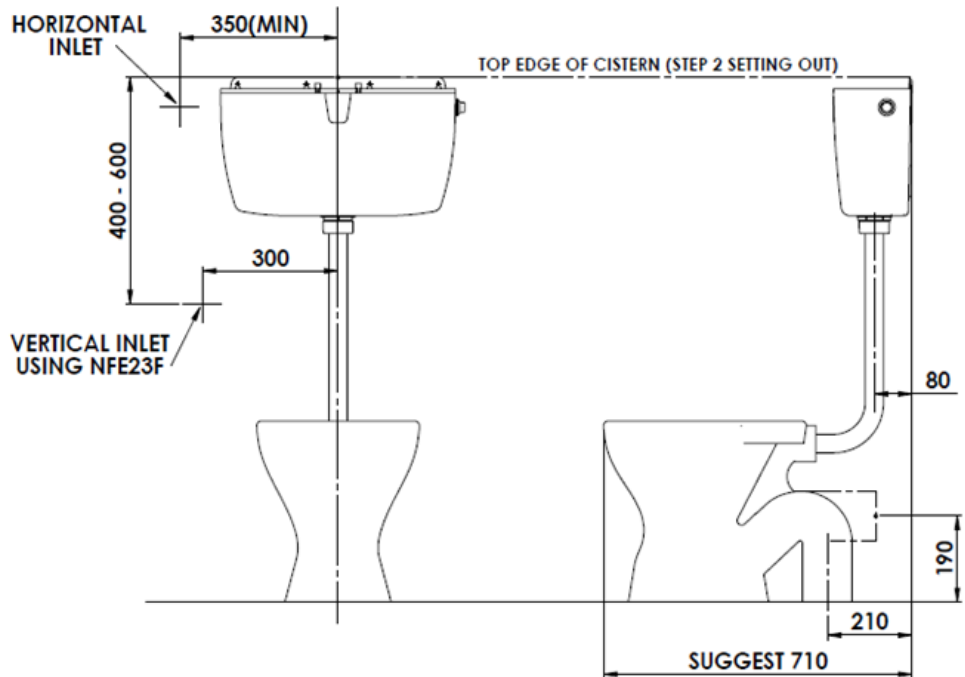


PRODUCT CODE
CFDFUWWH2 - Cistern Only



TECHNICAL SPECIFICATIONS

The Centreflush 2 rear footprint is the same as the original Centreflush so refurbishment to the wall should be negligible. The Centreflush 2 is however slimmer and more robust in design with added internal ribs for strength. The lid no longer needs screws to hold it in place and there is a condensation flap built into the lid. As with the 4.5L Centreflush the full flush is adjustable and is able to flush: 6L and 9L on the full flush. The half flush remains at 3L.



All dimensions are in millimetres and subject to normal manufacturing tolerances. Dux reserves the right to vary specifications without notice.

