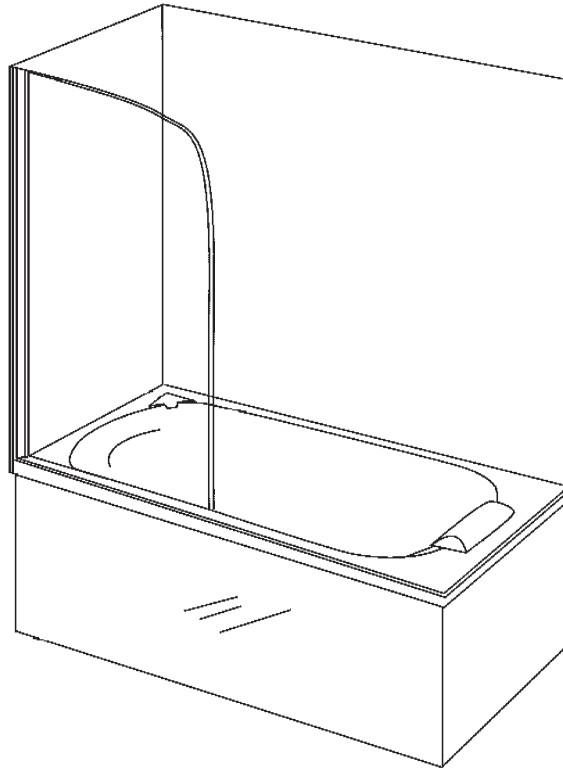




Trusted in New Zealand Since 1982

# INSTALLATION GUIDE

## STANDARD BATHTHSCREEN



Bath screens must be installed in situations where the floor of the bathroom has a waterproof membrane installed.  
For New Zealand, the bath screen must be installed in accordance with NZBC E3/AS1 clause 3.1.1.  
For other countries, the bath screen must be installed in accordance with local building codes.

**NOTE:**

- A floor waste is recommended.
- Do not install in bathrooms where the floor is carpeted.

**SEALANT REQUIRED TO COMPLETE THIS INSTALLATION:**

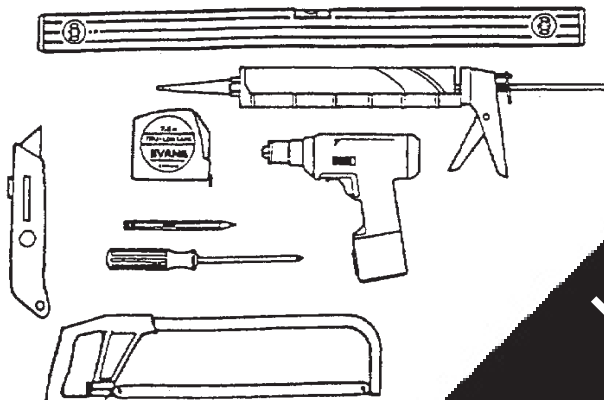
( not supplied)

Sika Sikasil NG

Usage: • 1 cartridge per bath screen

**TOOLS REQUIRED**

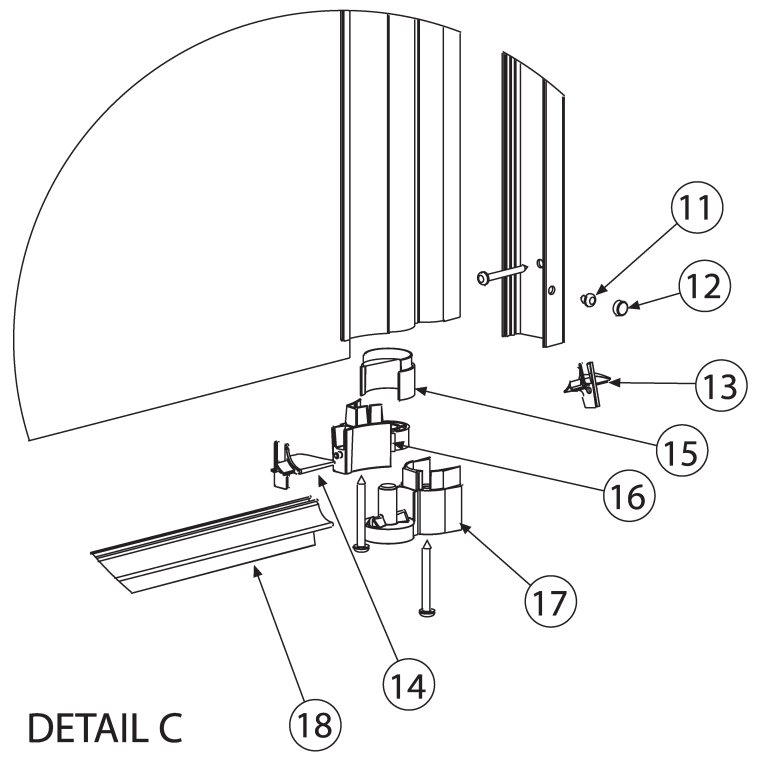
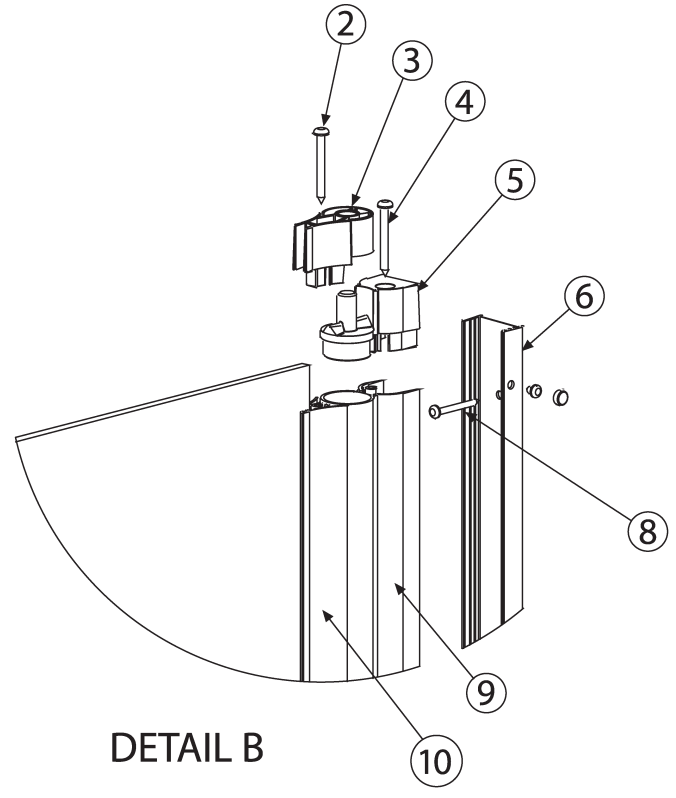
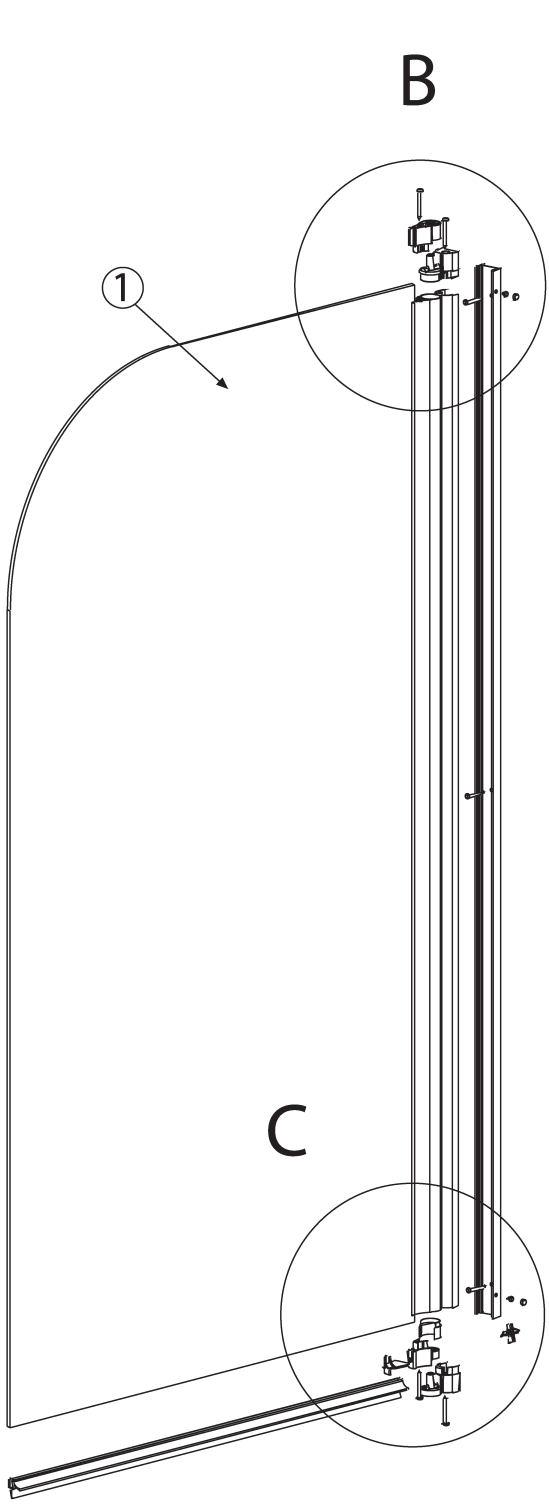
- Level
- Tape
- Pencil
- Phillips screwdriver
- Drill
- Hacksaw
- Caulking gun
- Stanley knife



**IMPORTANT**  
READ ALL INSTRUCTIONS  
CAREFULLY BEFORE  
STARTING THE  
INSTALLATION  
Failure to comply  
may void warranty

# Exploded view and parts list

VIEW A



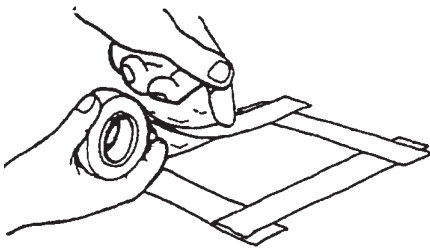
Item	Description	Part No.	Qty.
1	Glass	Q5167CL	1
2 & 4	8 x 1 1/2" screw	Q911160	4
3	Top cam	Q69203X	1
5	Top cap	Q69204X	1
6	Wall retainer	Q0084WH	1
8	6 x 1 1/4" screw	Q911150	3
9	Hinge post	Q1000XX	1
10	Edge cap	Q1020XX	1

Item	Description	Part No.	Qty.
11	6 x 3/8" screw	Q911104	2
12	Screw cap	Q3540XX	2
13	R/H seal extension	Q6910RH	1
14	L/H seal extension	Q6910LH	1
15	Sleeve	Q69200X	1
16	Bottom cam	Q69201X	1
17	Bottom cap	Q69202X	1
18	Drip edge seal	Q371200	1
19	Installation instructions	VO84030	1

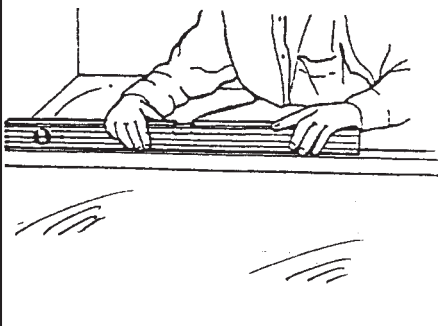
## Installation Instructions

**CAUTION: BEFORE DRILLING HOLES, ENSURE THERE ARE NO ELECTRICAL CABLES OR WATER PIPES BEHIND WALLS. DRILLING INTO THESE CAN ENDANGER LIFE AND PROPERTY.**

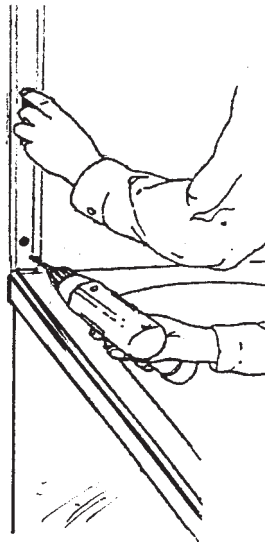
**1.** Tape over waste outlet.



**2.** Bath MUST be installed level.



**3.** Position wall retainer flush to the outside of the bath and vertical using a spirit level.



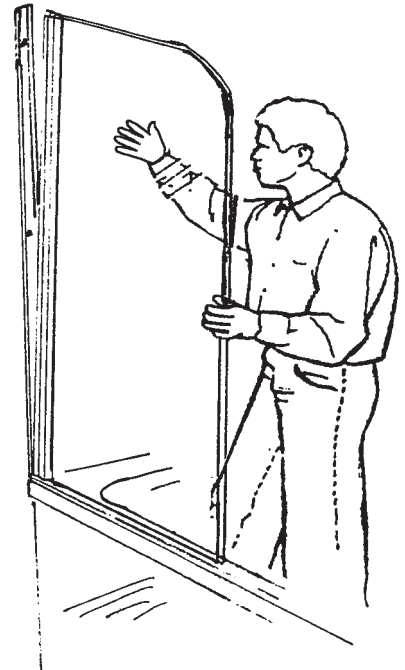
Mark the position of the three holes in the wall retainer and, using a 3mm drill bit, drill the holes for the No. 6 x 1 1/4" screws.

**CAUTION:** Fixing the retainer only to the backboard may void warranty as a backboard by itself may not be able to provide enough support for the bath screen.

**Note:** If it is not possible to screw directly into a wooden stud, drill the holes and use nylon anchors.

**4.**

Slide the screen into the wall retainer as shown. Hold the screen in place using tape strips.

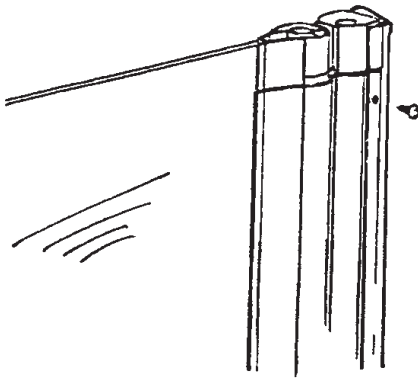


Check that the bottom of the glass is parallel with the top edge of the bath.

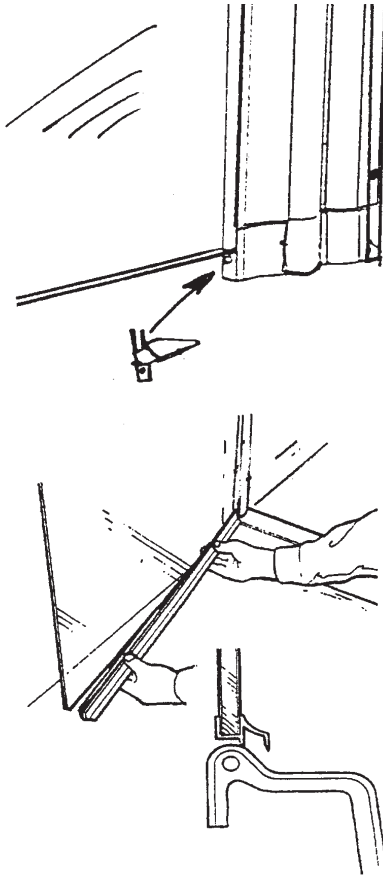
5. Drill holes into the hinge post using a 3mm drill bit. The guide holes on the wall retainer will assist here.

Lock the hinge post in place using the No. 6 x 3/8" screws.

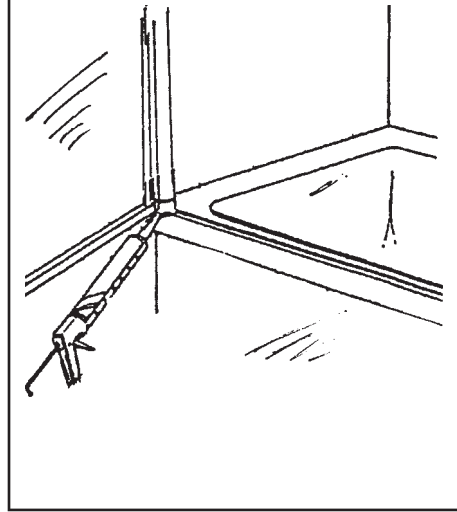
Fit screw caps over the top of the screws.



6. Select the correct seal extension and slide into place as shown. Clip the drip edge seal onto the bottom of the glass.



7. Using recommended Sealant, seal full height between walls and Wall Retainer Profiles, and all other exterior joints.



**IMPORTANT:**  
SEALANT  
SHOULD BE APPLIED TO ALL  
OUTSIDE JOINTS – DO NOT  
SEAL FROM INSIDE.

**SEALANT APPLICATION**  
Follow the sealant manufacturer's directions. Some sealants may require primer.

**INSTALLATION COMPLETE**