

INSTALLATION INSTRUCTIONS



FURNITURE

VALENCIA™ Single Drawer Vanity



Contemporary design and quality construction, providing affordable storage for bathrooms of any size or style.

It's the details that Englefield cares about - from pioneering the latest technology, to innovative design.



Woodgrain
Models



White Painted
Models

BEFORE YOU BEGIN

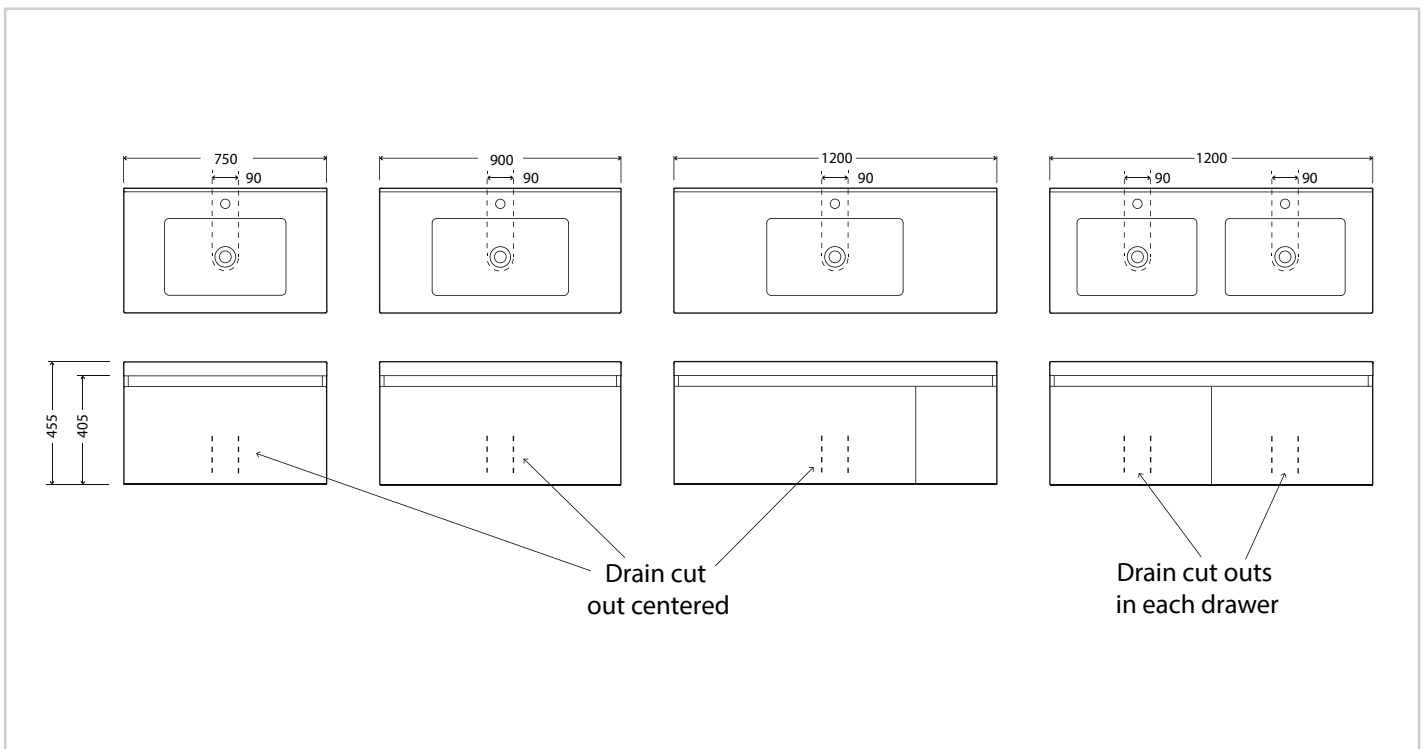
Please read these instructions carefully to familiarise yourself with the required tools, materials, and installation sequences. Follow the sections that pertain to your particular installation. This will help you avoid costly mistakes. In addition to proper installation, read all operating and safety instructions.

Prior to installation, inspect cabinet and top to ensure that no damage has occurred in transit. If damage has occurred, or a visible defect exists, do not proceed with installation, and advise your supplier immediately.

Instructions, drawings, and diagrams contained in this manual present information available at the time of printing. Although every attempt has been made to keep them up-to-date, Englefield reserves the right to implement product changes without further notice.

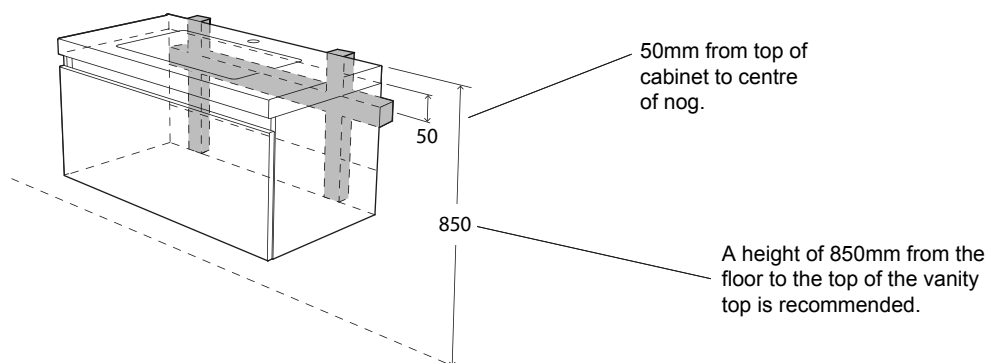
Please leave these instructions for the consumer. They contain important information.

ROUGH-IN



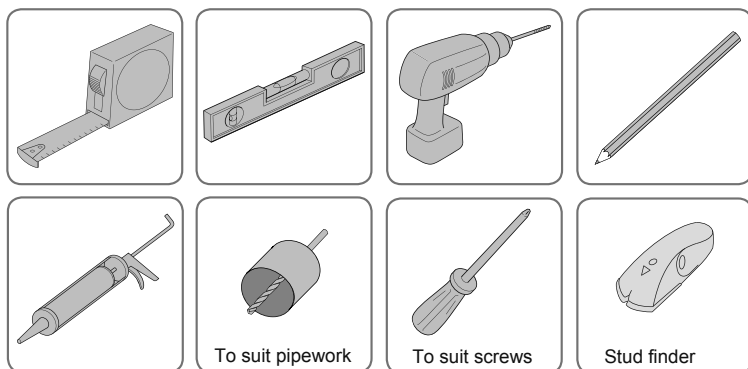
CONSTRUCTION REQUIREMENTS

Cabinets must be fixed to a nog and at least one stud in the wall. The nog size should be 50 x 75mm. Use a stud finder to locate studs & nogs in finished walls.

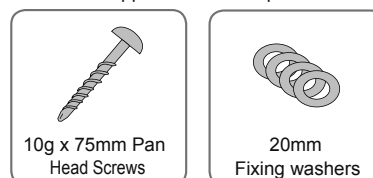


TOOLS AND MATERIALS REQUIRED - (Not Supplied)

TOOLS



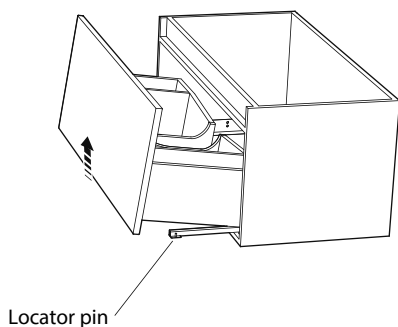
MATERIALS - Not supplied & must be purchased separately



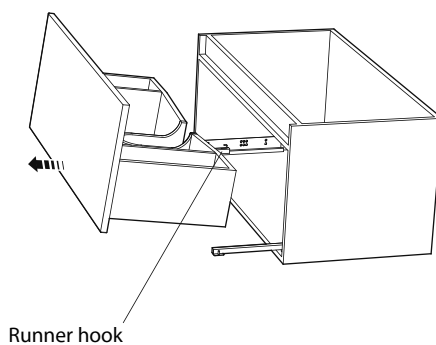
INSTALLATION

1 Drawer removal

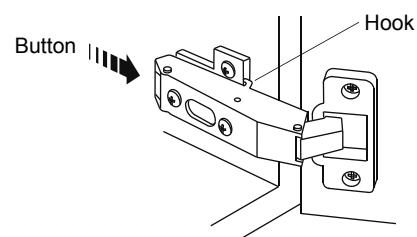
(a) Open the drawer and carefully lift up on the end of the drawer to release it from the runner locator pins. It may be necessary to gently pry the runner away from the drawer.



(b) The drawer is now only held by the runner hooks at the back and can be pulled out in the direction shown.



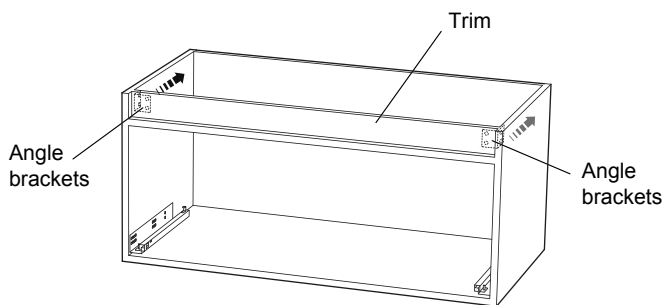
(c) For 77296A-*:
To make the installation easier remove the cabinet door. To release the door hinges press the buttons at the rear of the hinges.



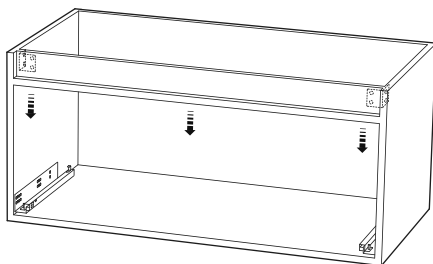
2 Changing drawer trims (Optional)

NOTE: This section is only applicable if you have purchased alternate trim for your vanity cabinet.

- (a) After the drawer has been removed (refer to section 1), unscrew the trim fixing screws from each angle bracket located behind either side of the trim.



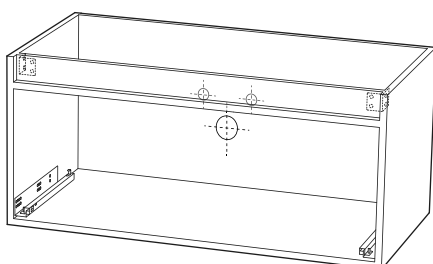
- (b) Unscrew the 3-4 screws from underneath the trim and remove the trim from the cabinet.
NOTE: Keep the screws for use later on.



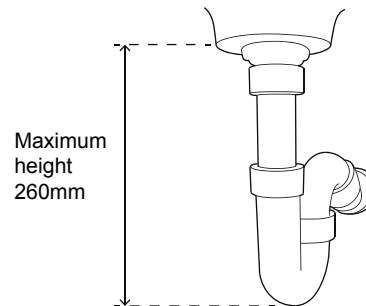
- (c) Fix the new trim in place using the screws that were removed from the original trim.

3 Water supply and waste pipe holes

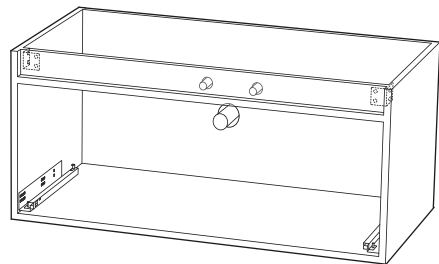
- (a) Measure and mark the centres for water supply and waste pipes on the back of the cabinet.



NOTE: Ensure that plumbing holes are positioned to allow for a maximum height of 260mm between the bottom of the basin to the base of the trap.

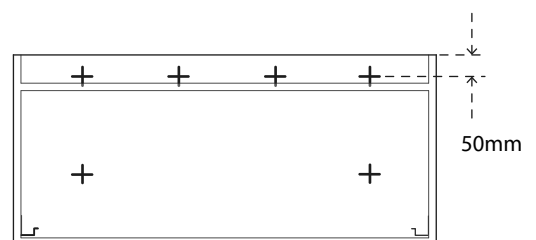


- (b) With a suitably sized hole saw, drill the holes for the water supply and waste.
(c) Having drilled the required holes fit the cabinet into position over the pipework.



NOTE: Before fastening the cabinet make sure that it is sitting level and square.

NOTE: Screws should be positioned evenly and fixed into nogs or studs.



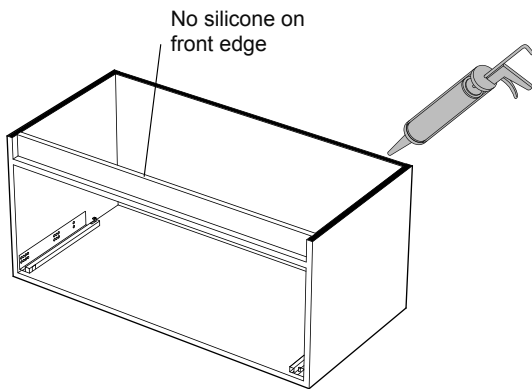
4 Fixing the vanity to the wall

- (e) Fix the cabinet to the wall using at least 6 screws for the 750mm & 900mm cabinets and 8 screws for the 1200 cabinets (min 10g x 75mm) and *20mm washers. Screw through the back wall so that they screw into the nog and stud(s) in the wall behind.

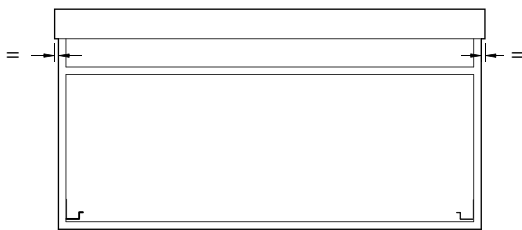
*Washers must be used to spread the load.

5 Vanity top

- (a) Unpack the top and check for any damage that might have occurred in transit. Check and confirm the fit of your selected tapware.
- (b) Apply a continuous bead of silicone (not supplied) to the top edge of the cabinet sides and back. Ensure there are no gaps in the sealant bead. This will ensure the top stays securely fitted to the cabinet and no water spillage will find its way into the cabinet.



- (c) Place the vanity top onto the cabinet ensuring that the back is flush against the wall and there is an even overhang on either side of the cabinet.



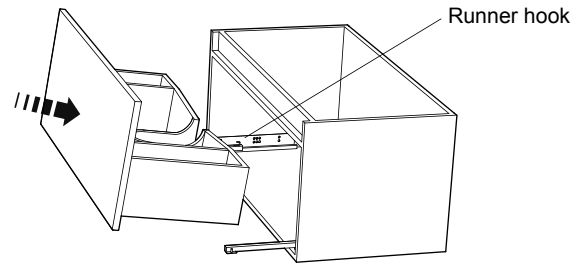
- (d) Wipe off any excess sealant.

6 Waste and tapware

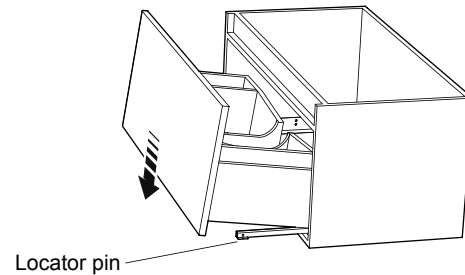
- (a) Fit the waste and tapware. Connect the water supply to the taps and waste pipe to the waste outlet.
- (b) Run hot and cold water and check for leaks. When satisfied with the results move on to the next section.

7 Drawer re-installation

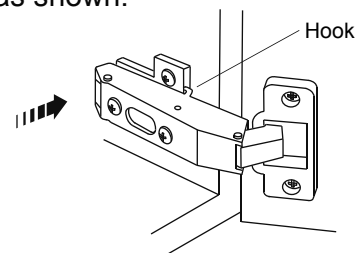
- (a) To re-install the drawer, extend the runners. Place the drawer onto the runners and slide it back so that the runner hooks insert into the rear of the drawer.



- (b) Make sure the locator pins line up with the holes in the bottom of the drawer and press the drawer down so that the pins slot into place.

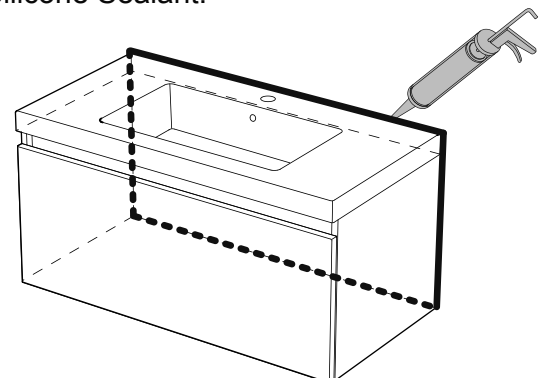


- (c) For 77296A-*: Re-install the cabinet door. Hook the hinges onto the base plates and press down as shown.



8 Sealing

- (a) All edges MUST be sealed with an approved Silicone Sealant.



INSTALLATION COMPLETE

CLEANING AND MAINTENANCE INSTRUCTIONS

For cleaning instructions, please refer to the Owner's Information Leaflet.

CONTACT AND WARRANTY INFORMATION

- Please refer to the Owner's Information Leaflet for contact information.
- Please visit our website for warranty and other information.

NEW ZEALAND
KOHLER NZ LTD

www.inglefield.co.nz

AUSTRALIA
KOHLER CO.

www.inglefield.com

