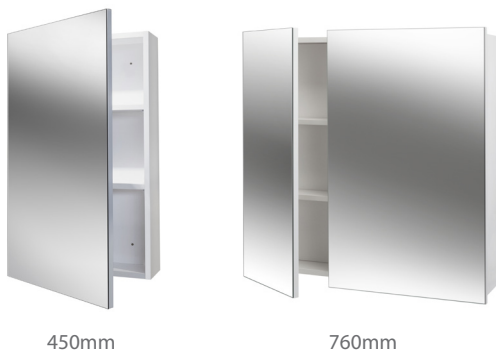


Sapphire Mirror Cabinet

These quality, robust cabinets offer superb storage, especially for those things that need to be kept safely stored away from children.



450mm

760mm

Features

- Two sizes available: 450 or 760mm
- Soft close hinges with integrated handle.
- Solid MDF construction provides robustness and durability.
- Mirror on inside of door (760mm: on larger door only).
- Double shelf.

Colour/Finish

Gloss White

Material

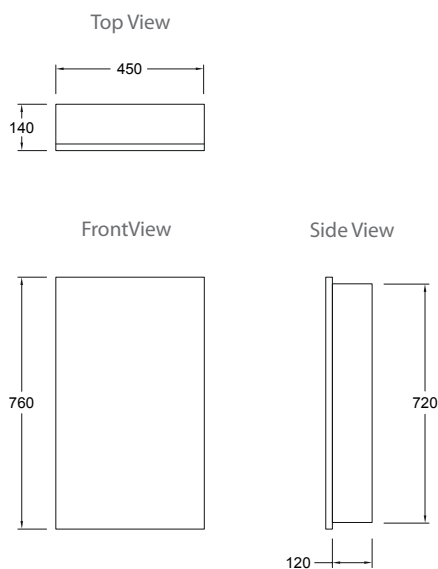
MDF with exterior surfaces coated in polyurethane paint.

Included Components

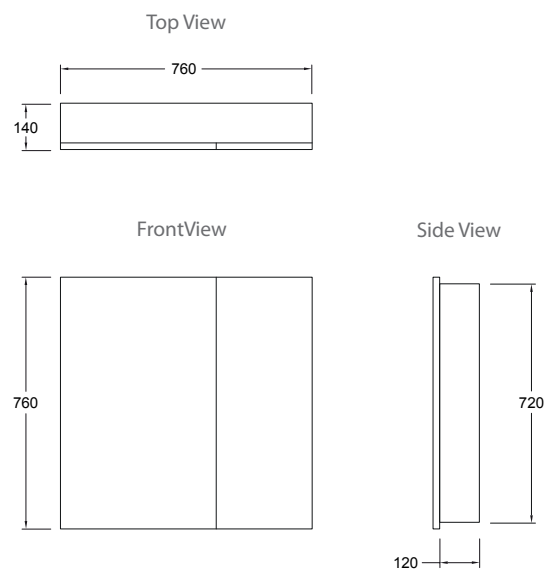
- Mirror cabinet.
- 2 shelves.
- NOTE: Fixing screws are not included and can be purchased separately.

Technical Details

450mm mirror cabinet



760mm mirror cabinet



Product	Product Codes
450mm Sapphire Mirror Cabinet	99215A-0
760mm Sapphire Mirror Cabinet	99216A-0



Trusted in New Zealand Since 1982

New Zealand

133 Diana Drive, Glenfield, Auckland, New Zealand
 PO Box 100-146 NSMC, Auckland, 0745
 Ph: 0800 100 382 Fax: 0800 66 44 88
www.Englefield.co.nz

All measurements shown are in millimetres.
 Sizes are approximate.

Jun 2014
 1240031-A04-A