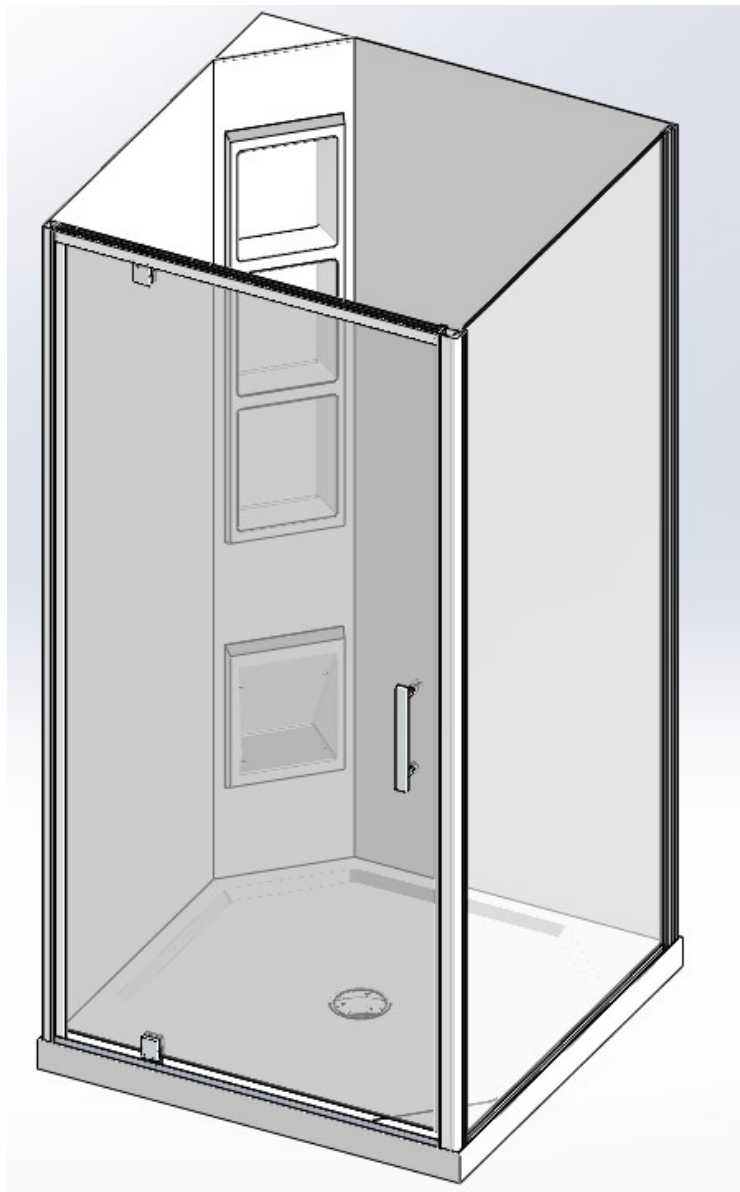
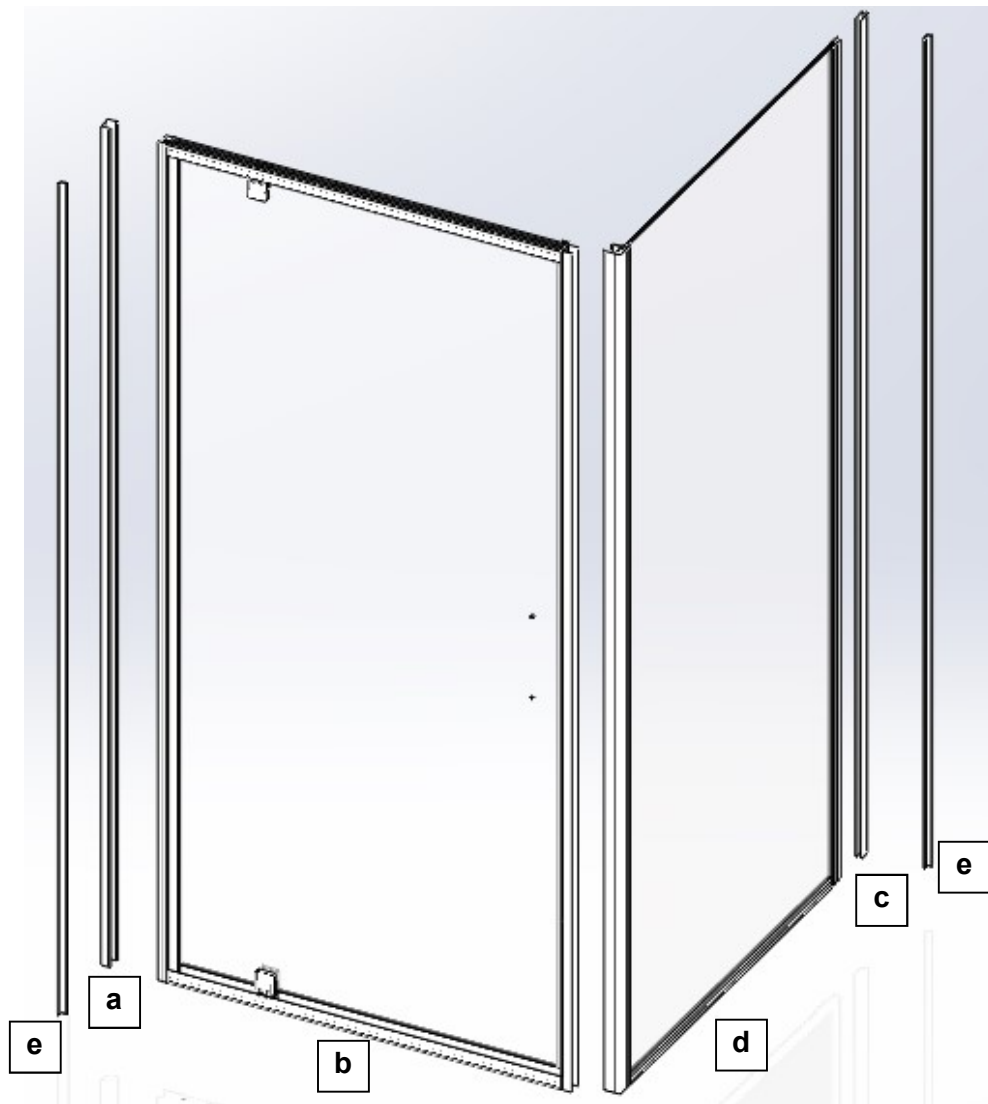




Pivot Shower Door & Return Installation Instructions



Please read these Instructions carefully



Components

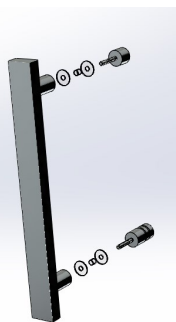
- A - Door Wall Receiver
- B - Door Assembly
- C - Return Wall Receiver
- D - Return Assembly
- E - Cover Trim x 2 (On Selected Models)

Tools Required

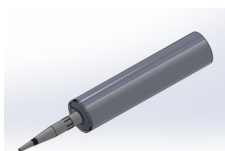
- Drill
- Spirit level
- Tape Measure
- Screw Driver (No.1 Sq drive)
- Caulking Gun
- Masking tape
- Pencil
- Cleaning Cloth

(For shipping purposes the Door & Return Receivers are packed in the sides of the Door and Return)

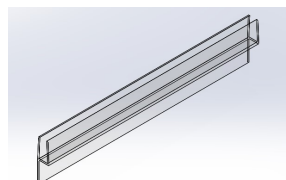
Installation Components



Handle
(where applicable)



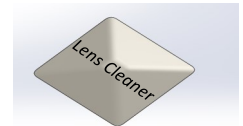
Tube of NG Silicone



Drip Seal –1m



No.6 x 38mm screw
Qty 6



Cleaning Towelette
(White showers only)

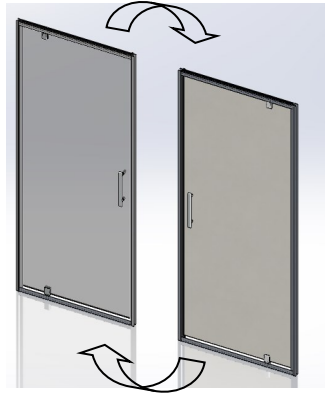


Screw Cap
Qty 12



No.6 x 10mm screw
Qty 9

Installation



Note:

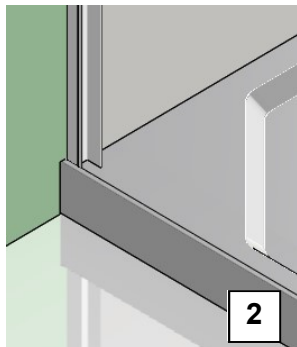
Your shower Door can be installed to open from the left or right hand side by rotating the door 180 degrees, and the Return Panel can be fitted on either side. You must decide which way the door is to open before starting the installation.

Wall Receivers

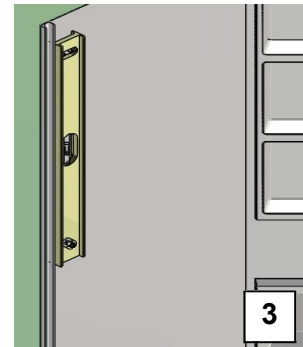
NOTE: If the shower walls are to be Tiled the Wall Receivers must be installed to the Water proof membrane before tiling. This ensures the doors will fit within the lip of the tray

Before commencing partially remove the clear protective film from the edges of the wall liner where the Wall receivers will be fitted. Keep the remaining film in place until the

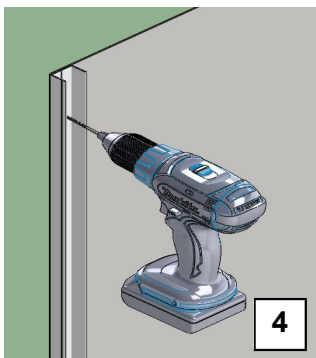
1. Pre drill three equally spaced clearance holes (i.e. top, bottom and centre) in the Door & Return Wall Receivers using a 4.0mm drill bit.



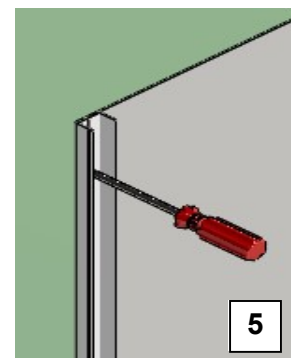
2. Determine which side the Door is to be hung. Position the Door Wall Receiver hard against the inside edge of the tray upstand. If installing on to a tray without front upstands place the Wall Receiver 10mm in from the front edge of the tray



3. Ensure the Door Wall receiver is plumb

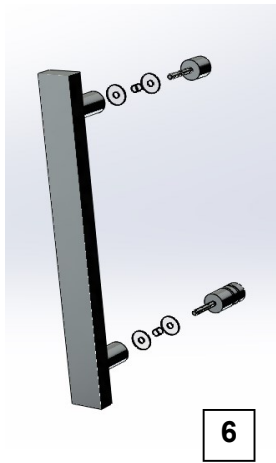


4. Drill into the wall through the clearance holes using a 3.0mm drill bit. N.B. The holes preferably locate into a stud or nog. As an alternative, a toggle system can also be used.



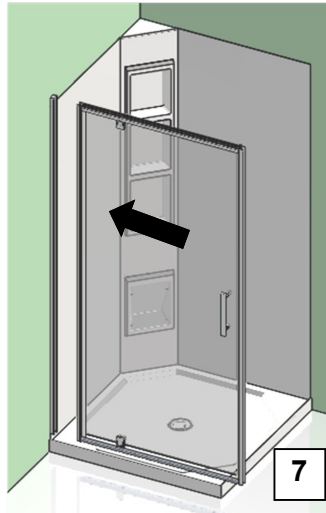
5. Apply Silicone sealant to each of the holes. Fix the Wall Receivers to the walls using the No.6 x 38mm stainless steel screws. Repeat on adjacent side for the Return Wall Receiver

Door

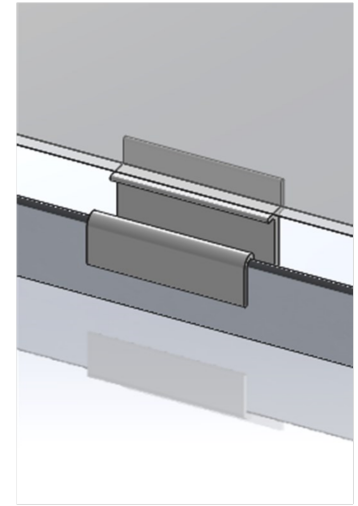


6. Fit the handle to the door (where required). This will assist in the opening & closing during the installation process

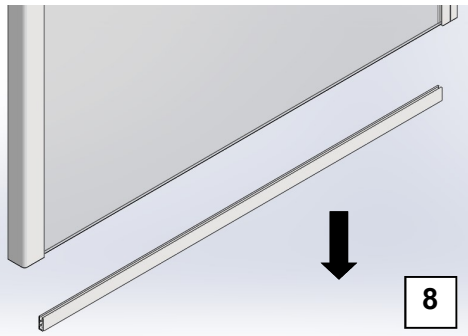
Ensure to fit the plastic washers and bush to prevent metal on glass contact



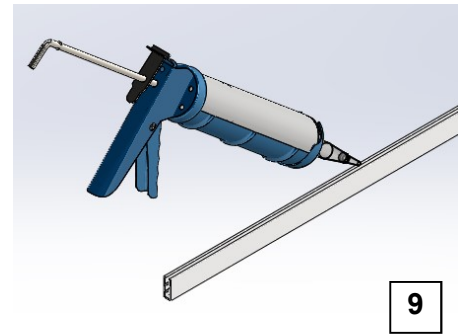
7. Ensure the Door is facing the correct way with the door opening outwards. Do not remove the door setting block, this will assist in supporting the door during installation and setting the correct clearance off the sill.



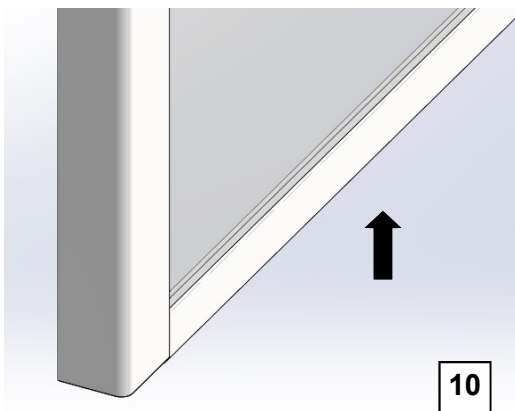
Return



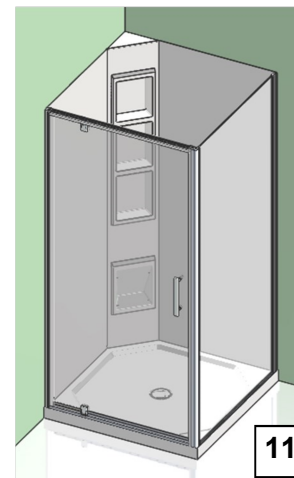
8. A Return Sill is supplied with the Return panel and is only temporarily clipped to one end of the panel. As the Return panel can be installed left or right hand it is necessary to remove the sill, apply sealant and attach to the correct end of the Return panel



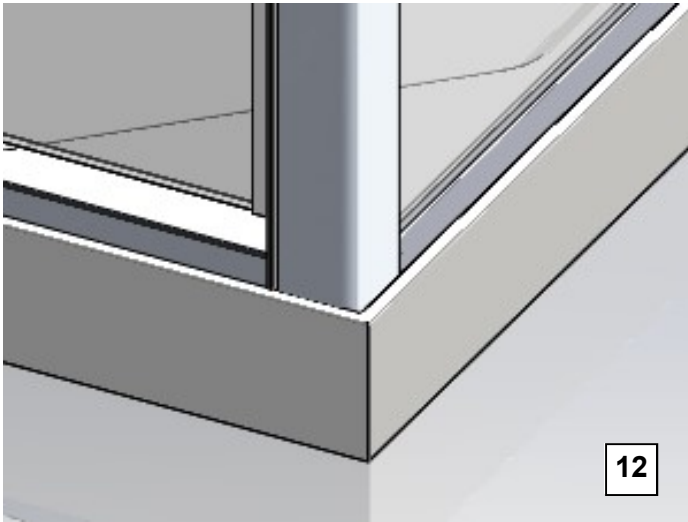
9. Apply a small continuous bead of NG Silicone sealant into the bottom of the Return sill channel. **Do not fill** the channel with silicone as this will be excessive and the majority will ooze out making cleanup difficult



10. Fit the Return Sill to the lower edge of the Return Panel. Carefully wipe away any excess silicone that may ooze out



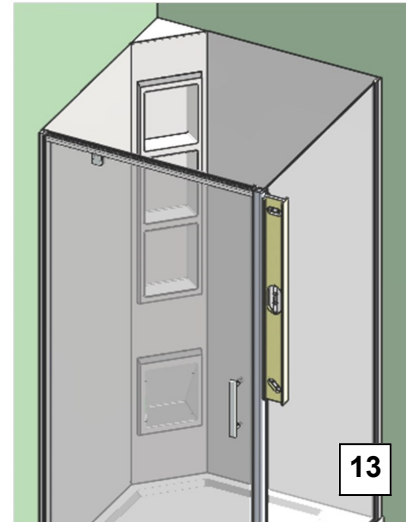
11. Position the Return Panel into the Return Wall Receiver ensuring the Corner Post engages over the door jamb section, do not fix in place at this time.



12

12. For Sureseal trays the Door and Return panels should be close to the inside edge of the tray's upstand as possible

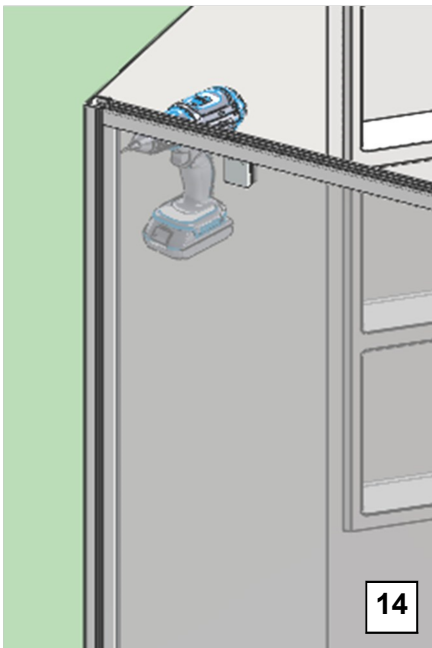
For other applications, check that the doors are parallel with the front edge of the tray.



13

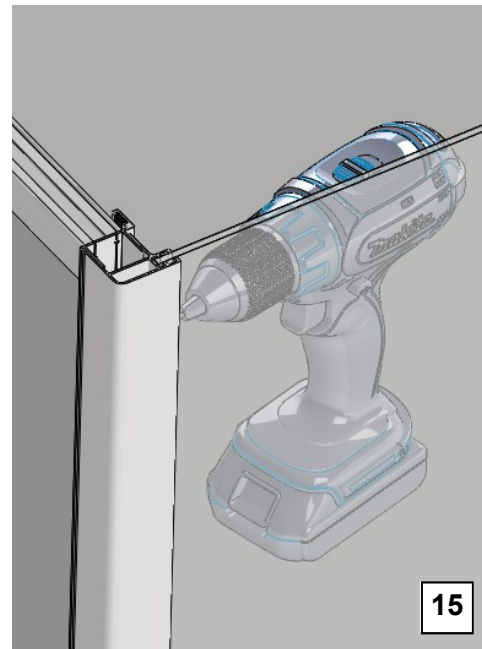
13. Ensure that each section is square to the shower base and plumb.

Secure the Door Set (All Screw fixings are made from the inside)



14

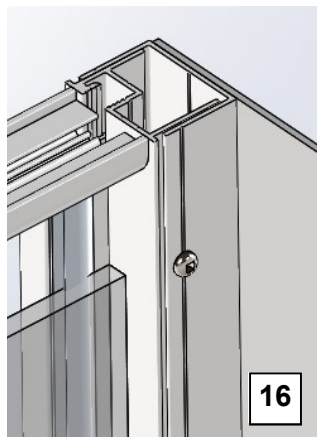
14. From the inside using a 3.0mm drill bit; drill through the vertical sections of the Door and Return into the Wall Receivers. Fix the Door and Return Panel to the Wall Receivers. You must have a minimum of 10mm overlay and the holes must be drilled no less than 5mm from the edge of the vertical aluminium sections. Secure in place using the 6 gauge x 10mm screws.



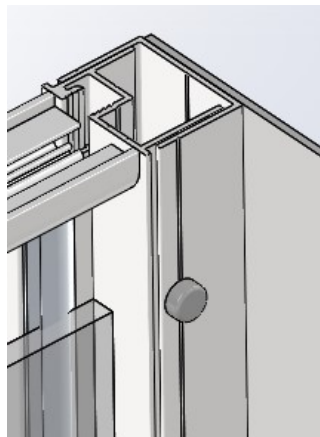
15

15. Using the 3.0mm drill bit, drill through the corner section and into the aluminium frame. (Use the "V" groove line as a guide)

Secure in place using the 6 gauge x 10mm screws.

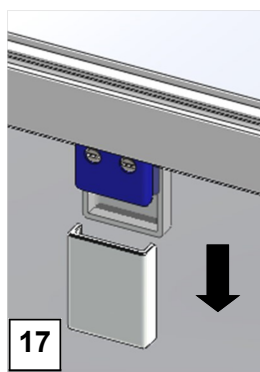


16



16. Cover all Screw heads with the Screw Caps

Adjust the Door

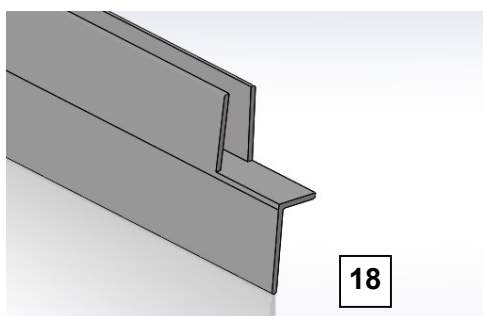


17

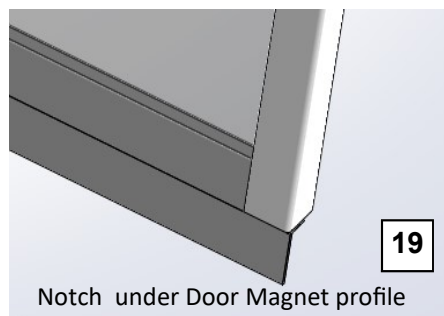
17. Slide the outside Clamp Block Cover off the Pivot Clamp. Using a Phillips head screwdriver sufficiently loosen the two screws, adjust the door by sliding left or right in the pivot

Once the door adjustment is complete ensure the screws are retightened and reinstall the Clamp Block Covers. Open the door and remove the door setting block

Drip Seals



18



19

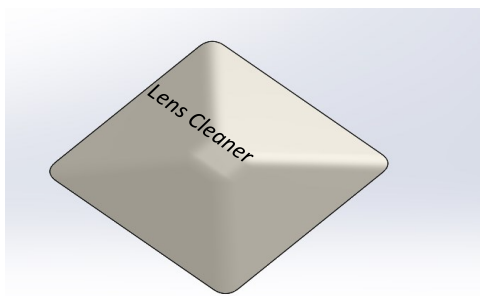
Notch under Door Magnet profile

18. The Drip seal is supplied in a 1m length, this will need to be cut to the desired lengths for each side of the pivot . The opening side Drip seal will also need to be notched to fit under the door magnet profile. Make the Notch 13mm in length and finishing down to the horizontal ledge of the drip seal

19. Fit the Drip Seals to the glass door

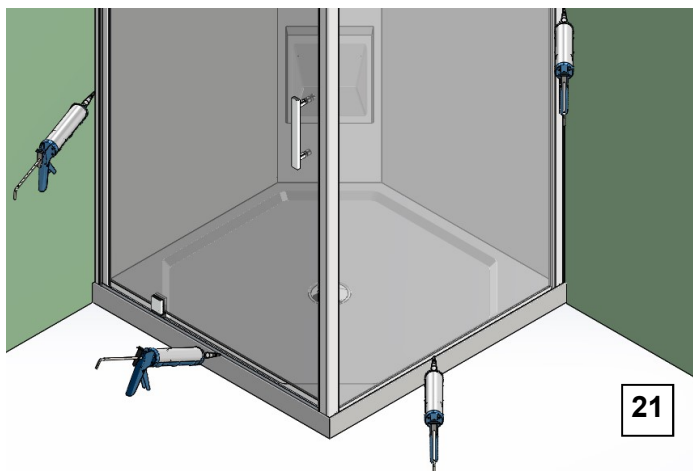
NOTE: The flexible vertical blade will face towards the inside of the shower

Sealing the Shower



20

20. For White Showers only - take the Cleaning Towelette and wipe the surfaces of the Powder coated profiles and shower tray where Silicone will be applied Allow to dry (1-2 minutes)



21

21. The Door and Return can now be sealed in place using silicone sealant. Ensure all surfaces are first cleaned with dry clean cloth. Seal between the tray upstand and the door set along the bottom outside edges. Seal vertically between the Wall Receivers and Wall Liner

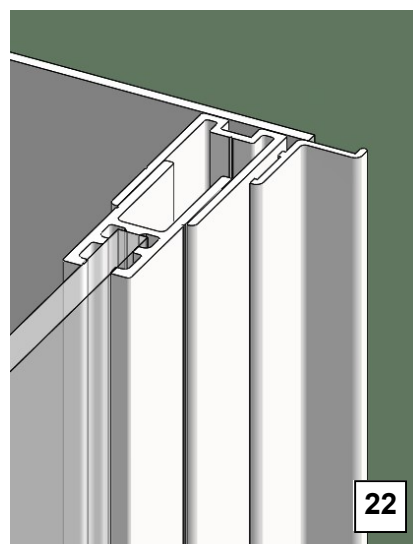
Note MASKING the area to be Sealed will result in a superior finish

IMPORTANT: DO NOT apply sealant to the inside of the shower

Cover Trim – (selected models only)

22. The Cover Trim is provided to cover the exposed vertical edge of the wall liner and is the final step of the installation. For some installations the Cover trims may require cutting to length

To fit the Cover trim apply small vertical beads of silicone down the Wall Receiver and the exposed wall lining outside of the Wall Receiver. Embed the Cover trim into the silicone. If the liner extends more than 10mm it will need to be trimmed prior to fitting the Cover Trim



22

Your Shower is now complete. Allow the Sealants to cure for a minimum of 24 hours



Clearlite Bathrooms
54-58 Hillside Rd, Glenfield, Auckland
Ph (09) 4443780
info@clearlite.co.nz
Clearlite.co.nz

November 2023