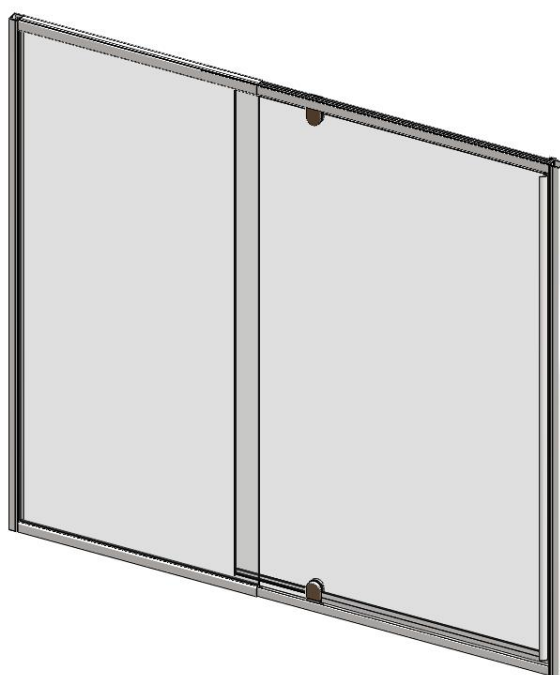
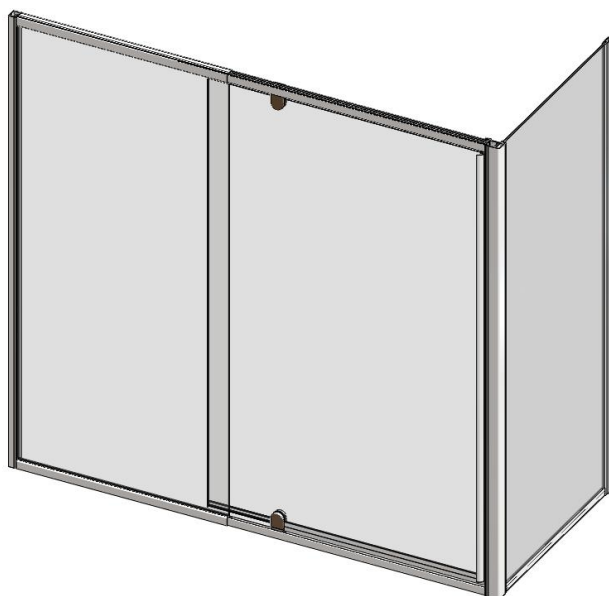




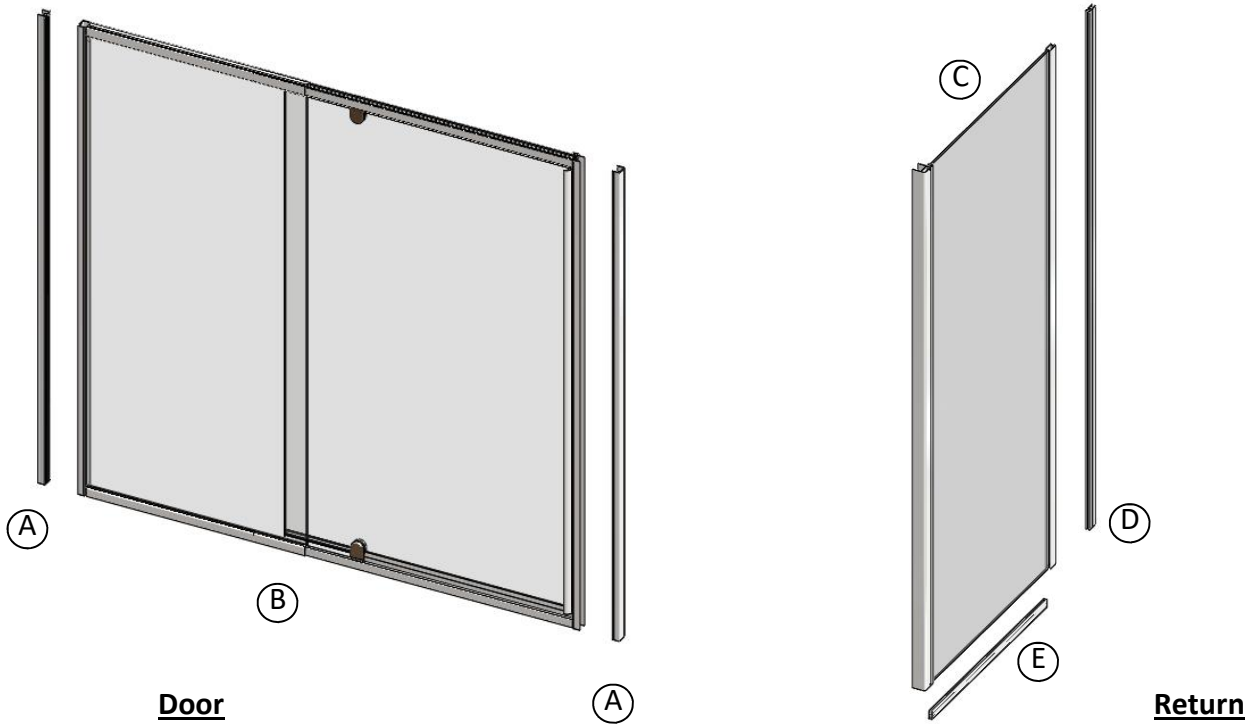
Installation Instructions

Pacific & Matisse Door Set



Please read these Instructions carefully

May 2018



Components

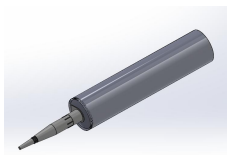
- A - Door Wall Receiver X2
- B - Door Assembly
- C - Return Assembly
- D - Return Wall Receiver
- E - Return Sill

Tools Required

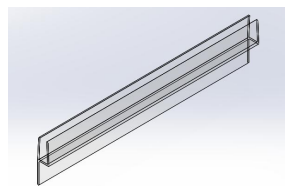
- Drill
- Spirit level
- Tape Measure
- Screw Driver (No.1 Sq drive)
- Caulking Gun
- Masking tape
- Pencil

(For shipping purposes the Door & Return Receivers are packed in the sides of the Door and Return)

Installation Components



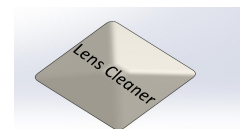
Tube of NG Silicone
(Colour matched to



Drip Seal –1m



No.6 x 38mm screw
Qty 6



Cleaning Towelette
(White Door set only)



Screw Cap
Qty 11



No.6 x 10mm screw
Qty 11

The Door can be installed either left or right hand hinged by simply rotating 180 degrees.

Important : The Door must always open outwards

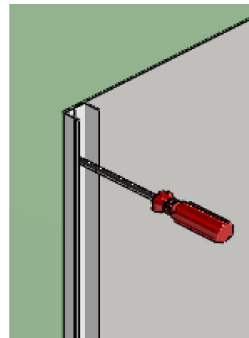
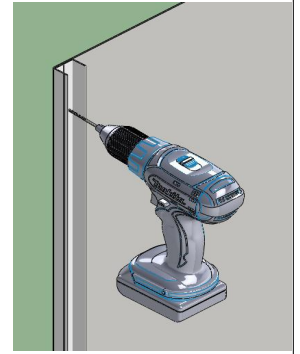
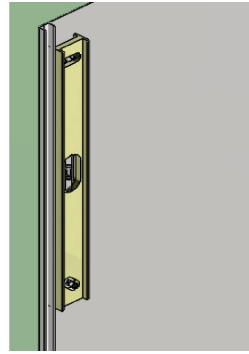
Installing a Door Only

Installing the Wall Receivers

1. Place the Wall Receiver hard against the inside edge of the bath upstand. Using a spirit level ensure the Wall Receiver is plumb. Mark the position of the Wall Receiver on the wall. Repeat for the opposite side
2. Pre drill three equally spaced clearance holes (i.e. top, bottom and centre) in the Wall Receivers using a 4.5mm drill bit. Reposition the Wall Receivers onto the wall. Drill into the wall through the clearance holes using a 3.0mm drill bit.

N.B. The holes preferably locate into a stud or nog. As an alternative, a toggle system can also be used.

3. Apply Silicone into the screw holes and secure the Wall Receivers to the walls using the No.6 x 38mm stainless steel screws.

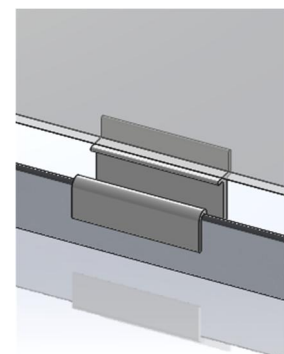


Installing the Door

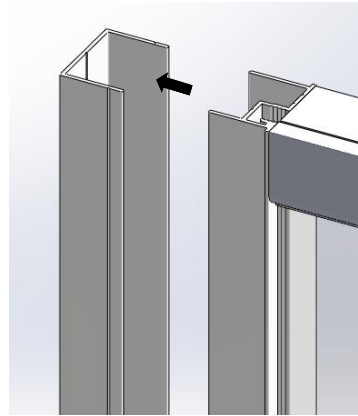
4. Slide the door assembly together so it is narrower than the opening.



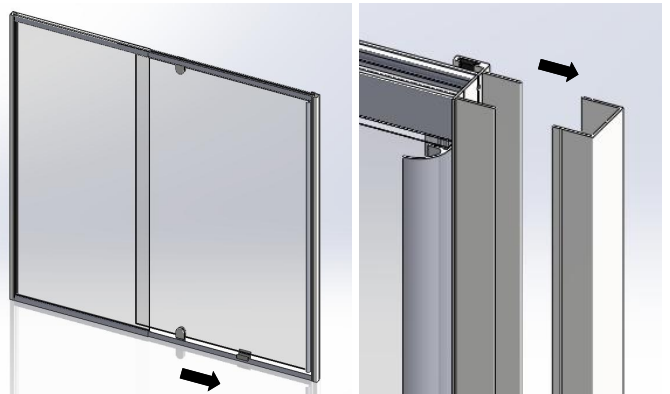
Do not remove the door setting block, this will assist in supporting the door during installation and setting the correct clearance from the sill



- Determine which side the Door is to be hinged ensuring that the door opens outwards. Lift the Door onto the bath and fully insert one side into a Wall Receiver.

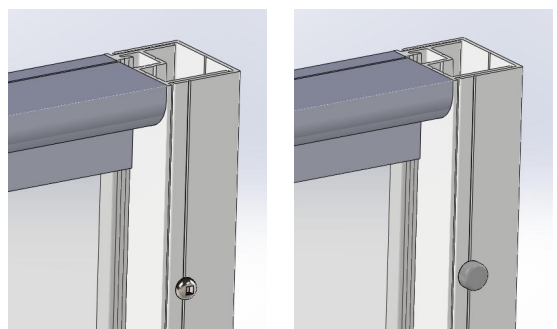
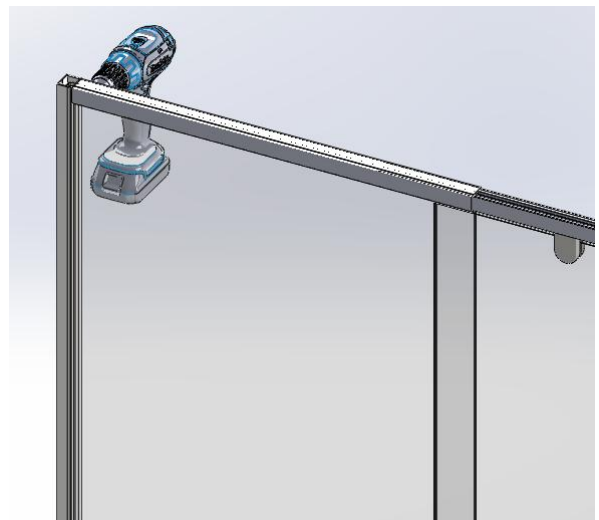


- Expand the Door out so it fully engages into the opposite Wall Receiver. Check that the Door Jamb are plumb



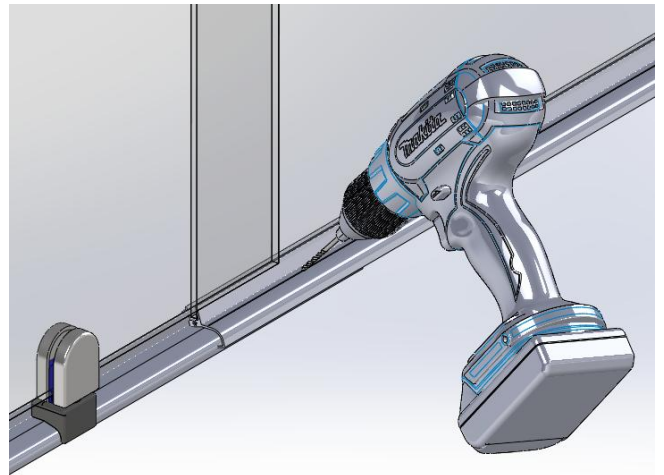
Securing the Door Set

- From the inside fix the Door to the Wall Receivers by drilling three 3mm holes down the Wall Receivers (top, bottom and centre). Drill through the Wall Receivers into the Door Jamb profiles.
- Secure in place using No.6 x 10mm stainless steel screws. Cover the screw heads with the cover caps. Repeat for opposite side.

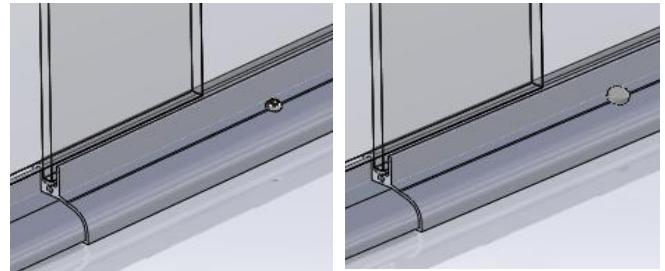


Secure the head and Sills

9. From the inside drill a 3.0mm hole approximately 25mm in from the end of the Female Head and Sill sections and into the Male Head and Sill sections.



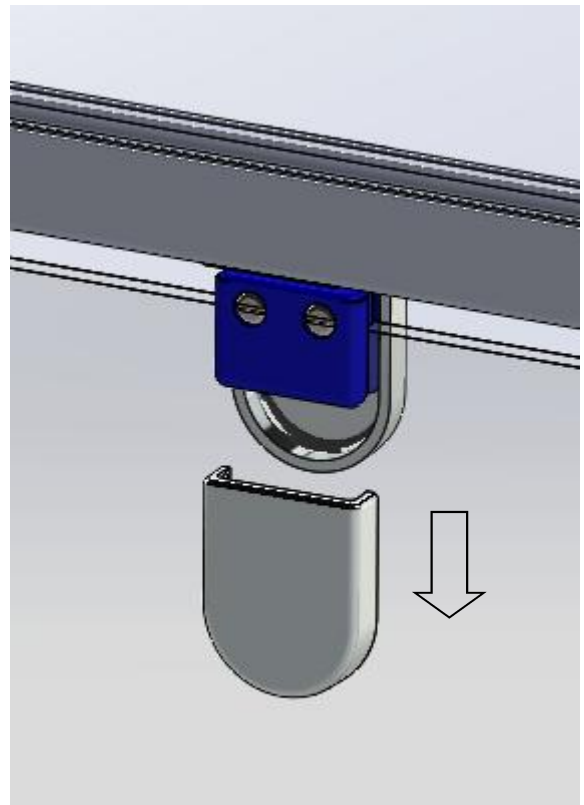
11. Secure the sections together using No.6 x 10 Stainless steel screws.



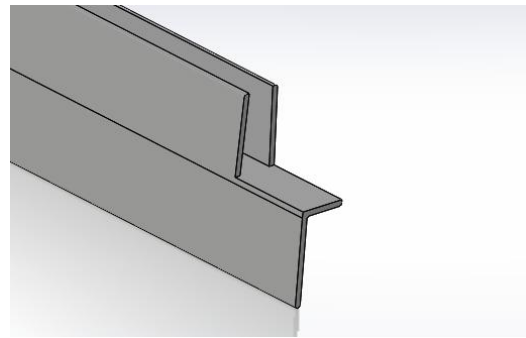
12. Cover the screws heads with the cover caps.

13. Slide the outside Clamp Block Covers off the Pivot Clamp. Using a flat blade screwdriver sufficiently loosen the two screws, adjust the door by sliding left or right in the pivot

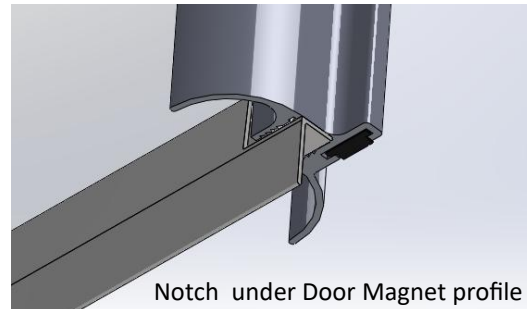
Once the door adjustment is complete ensure the screws are retightened and reinstall the Clamp Block Covers. Open the door and remove the door setting block



14 Fit the Drip Seal. The Drip seal is supplied in a 1m length, this will need to be cut to the desired lengths for each side of the pivot . The opening side Drip seal will also need to be notched to fit under the door magnet profile. Make the Notch 13mm in length and finishing down to the horizontal ledge of the drip seal

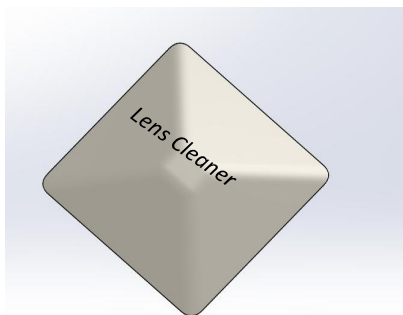


15. Fit the drip seals to the glass door

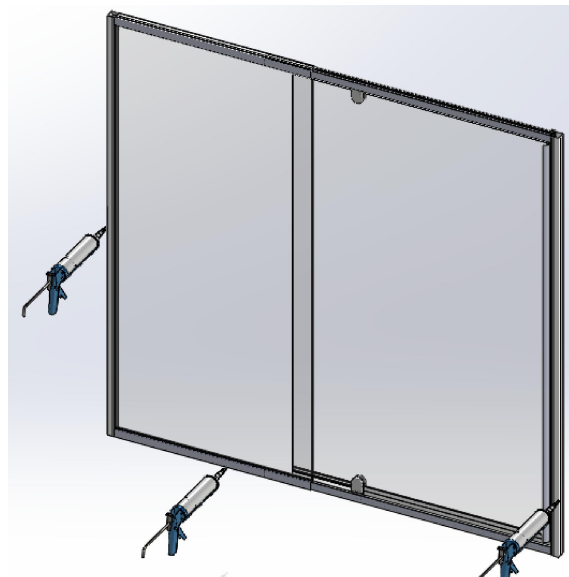


Notch under Door Magnet profile

Sealing the Door set



16. Take the Cleaning Towelette and wipe the surfaces of the Powder coated profiles where Silicone will be applied Allow to dry (1-2 minutes)



17. The Door can now be sealed in place using silicone sealant. Ensure all surfaces are first cleaned with dry clean cloth. Seal between the Bath upstand and the Door set along the bottom outside edges. Seal vertically between the Wall Receivers and Wall Liner

Note MASKING the area to be Sealed will give you a superior finish

18. Your Door set is now complete

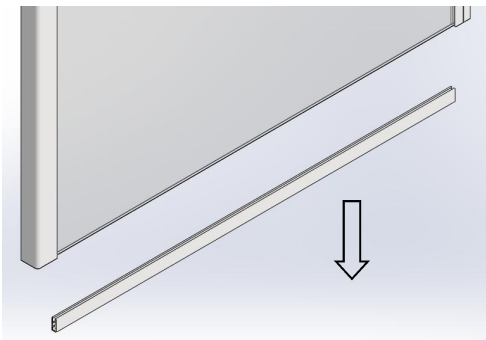
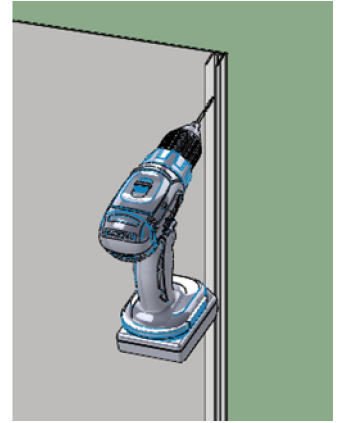
IMPORTANT: DO NOT apply sealant to the inside of the shower



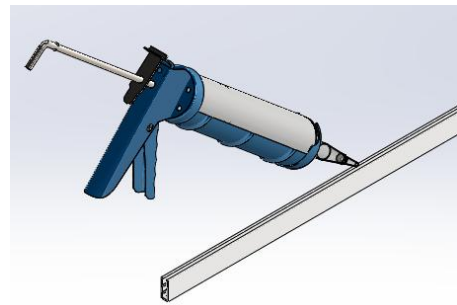
Installing a Door with a Return Panel

19. Repeat the installation procedure for the Door Wall Receiver as in Step one of the Door only installation. On the adjacent wall install the Narrow Return Receiver in the same way.

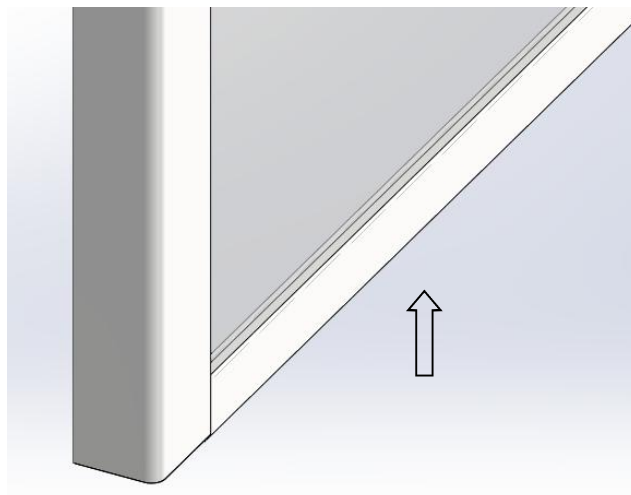
Please note: There will be one Door Wall Receiver that will be surplus to requirements when installing a Door and Return enclosure



20. A Return Sill is supplied with the Return panel and is only temporarily clipped to one end of the panel. As the Return panel can be installed left or right hand **it is necessary to remove the sill, apply sealant and attach to the correct end of the Return panel**

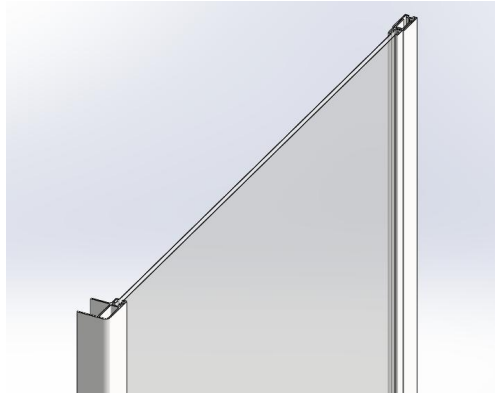


21. Apply a small continuous bead of NG Silicone sealant into the bottom of the Return sill channel. **Do not fill** the channel with silicone as this will be excessive and the majority will ooze out making cleanup difficult



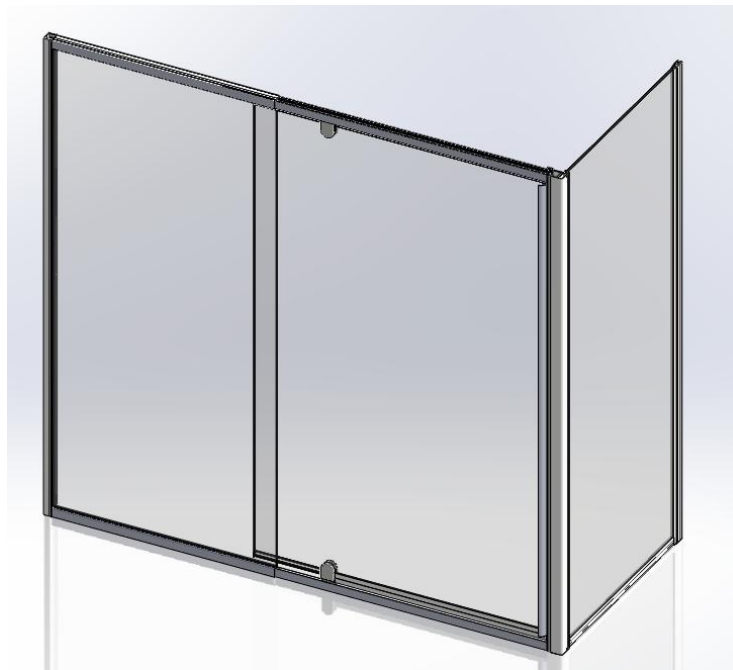
22. Fit the Return Sill to the lower edge of the Return Panel. Carefully wipe away any excess silicone that may ooze out

Install the Return Panel



23. Position the Return Panel into the Return Wall Receiver

Install the Door



24. Follow steps 2 and 3 of the Door only installation procedure. One end of the door will fit inside the corner post attached to the Return Panel.

Plumb up the enclosure.

25. Follow steps 7-8 to Secure the Door and Return in place using No.6 x 10mm stainless steel screws. Cover the screw heads with the cover caps

Sealing the Door & Return

26. Seal the Door and Return to the bath as in steps 16-17 of the Door Only procedure. Allow the silicone to cure for a minimum of 24hrs

