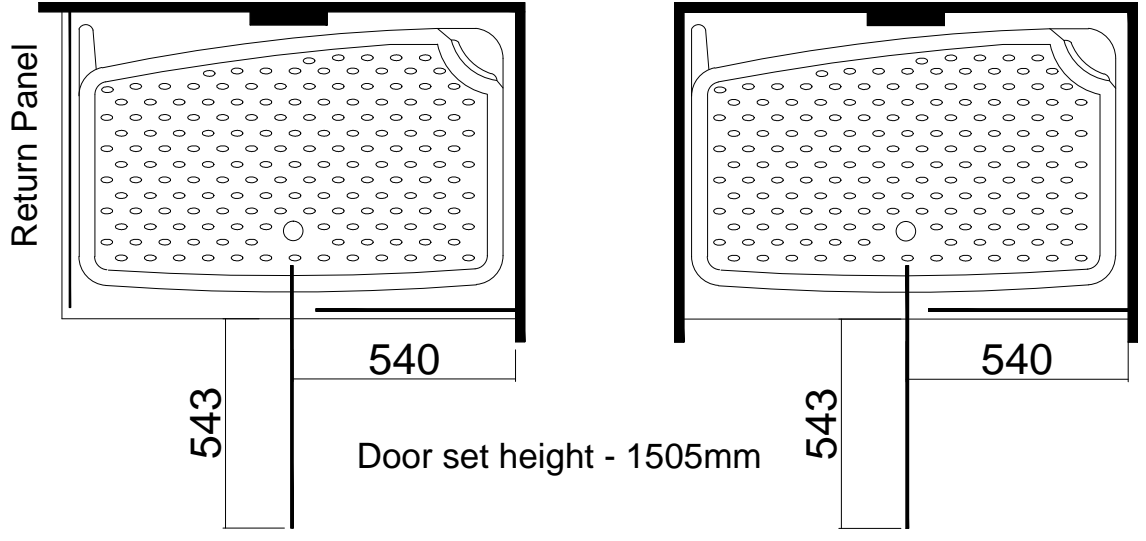


Height includes upstand

DINA



Internal depth-410mm (excludes upstand)

125 litre working water capacity