



Rectangle Hidden Fixings Instructions

TOOLS REQUIRED

Drill



Screwdriver



Level



Tape Measure



Pencil

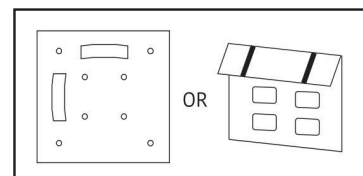


PRECAUTIONS

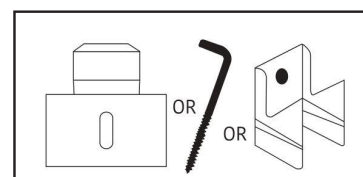
- ▶ We recommend a qualified person installs the mirror
- ▶ Install the mirror at a height above the basin where water will not splash on it. Approx. 200mm up from the basin. The mirror warranty is void if installed below 150mm from the basin top.
- ▶ Use secure wall fixings appropriate for you wall type
- ▶ We recommend two people to install heavy or large mirrors
- ▶ To avoid damage use a soft mat or rug for putting the mirror down on while installing
- ▶ Handle mirror with extreme care.
- ▶ Do not strike the mirror glass with hard or pointed objects
- ▶ Do not place hot or cold items against the glass.
- ▶ We recommend to hand screw fixings (power tools may break gib fixings or over-tighten)
- ▶ Keep you workspace clean & clear of obstacles

MAINTENANCE

- ▶ For a safe and excellent chemical cleaner option please contact us.
- ▶ Alternatively when cleaning the glass always use a damp cloth with no chemical cleaners. Many glass cleaners have chemicals (acid base) which will attack the silver mirror edges and voiding the warranty.
- ▶ Do no use a scouring pad.
- ▶ Please retain this for future reference



Metal plates are attached to the mirror



2 x tongue wall hangers included

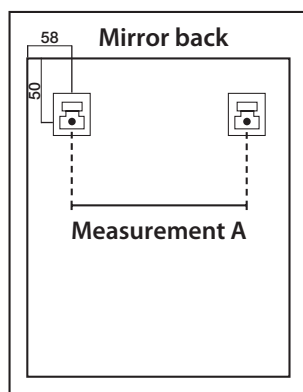
STEP 1

If not attached please attach the double sided foam spacer to the back of the mirror to avoid the mirror rocking on the wall.

Insert the tongue hangers into the slot on the back of the mirror and measure the distance between the centre of the two screw holes on the tongue. Record your measurement A

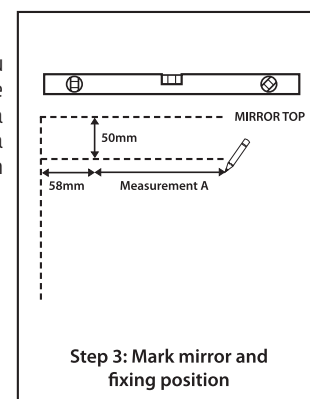
Check the distance from the centre of the screw holes is 50mm down from top and 58mm in from left. If not please stop and use instructions on the other side of this page.

On some large mirrors there will be additional top plates, in this instance record all the distances between each plate.



STEP 2

Lightly pencil mark on the wall where you want the top of the mirror to be. Measure down 50mm from this mark and draw a level line the width of the mirror. Use a spirit level to ensure the line is level. Clean your first top mark off the wall.



Step 3: Mark mirror and fixing position

STEP 3

Measure in 58mm from the left end of the line and a mark cross (left screw position for the wall tongue)

From the left cross measure across the distance of "Measurement A" and a mark a 2nd right cross. (right screw position for the wall tongue)

As a double check the two marks should be 58mm in from each end of your level line.

STEP 4

Screw the wall tongue into place.

If drilling into gib board (and no wooden stud in behind) insert the white wall fixings or use another suitable hollow wall anchor in the exact centre of the mark on the wall.

STEP 5

On the wall (above the mirror) and on the top of the mirror, attach pieces of easy peel masking tape (or post-it notes) in the position of the fixings. Use these as a guide when sliding the mirror onto the wall fixings.

Carefully lower the mirror onto the 2x wall tongues fixed to the wall.

Adjust the wall tongues up or down for any minor height adjustments.

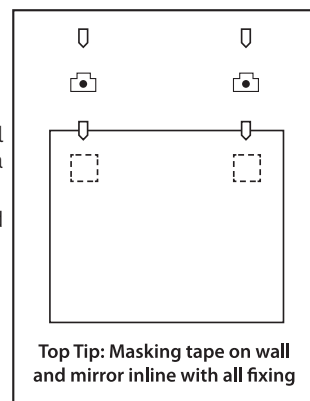
STEP 6

Secure mirror

Optional additional Security of Mirror

As additional security the bottom metal plate can be glued against the wall with a small amount of neutral cure silicon.

This is not necessary however recommended in earthquake prone zones.



Top Tip: Masking tape on wall and mirror inline with all fixing

PLEASE READ CAREFULLY

THIS MIRROR CARRIES A FULL WARRANTY, PLEASE INSPECT THOROUGHLY BEFORE INSTALLATION TO ENSURE THIS UNIT HAS NOT BEEN DAMAGED IN TRANSIT AS THE WARRANTY DOES NOT COVER THE COST OF REMOVAL AND INSTALLATION ONCE INSTALLED.

TOOLS REQUIRED

Drill



Screwdriver



Level



Tape Measure



Pencil

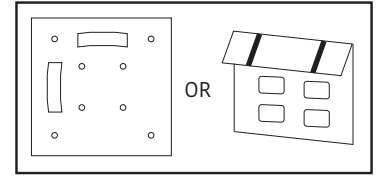


PRECAUTIONS

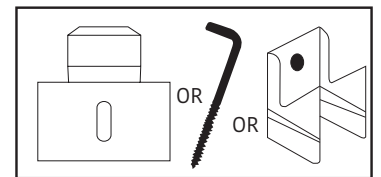
- ▶ We recommend a qualified person installs the mirror
- ▶ Install the mirror at a height above the basin where water will not splash on it. Approx. 200mm up from the basin. The mirror warranty is void if installed below 150mm from the basin top.
- ▶ Use secure wall fixings appropriate for you wall type
- ▶ We recommend two people to install heavy or large mirrors
- ▶ To avoid damage use a soft mat or rug for putting the mirror down on while installing
- ▶ Handle mirror with extreme care.
- ▶ Do not strike the mirror glass with hard or pointed objects
- ▶ Do not place hot or cold items against the glass.
- ▶ We recommend to hand screw fixings (power tools may break gib fixings or over-tighten)
- ▶ Keep you workspace clean & clear of obstacles

MAINTENANCE

- ▶ For a safe and excellent chemical cleaner option please contact us.
- ▶ Alternatively when cleaning the glass always use a damp cloth with no chemical cleaners. Many glass cleaners have chemicals (acid base) which will attack the silver mirror edges and voiding the warranty.
- ▶ Do no use a scouring pad.
- ▶ Please retain this for future reference



Metal plates are attached to the mirror



2 x wall hangers included

STEP 1

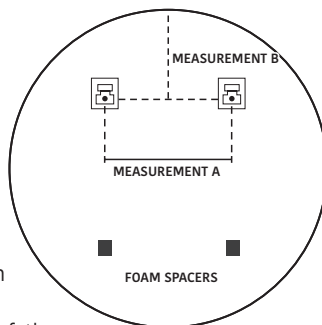
If not attached please attach the double sided foam spacer to the back of the mirror to avoid the mirror rocking on the wall.

Insert the tongue hangers into the slot on the back of the mirror and measure the distance between the centre of the two screw holes on the tongue. Record your measurement A

On the back of the mirror lighting pencil mark a horizontal line between the screw holes on the tongue.

Measure the distance from the top centre of the mirror to the height of the screw holes. Record your Measurement B

Mirror back

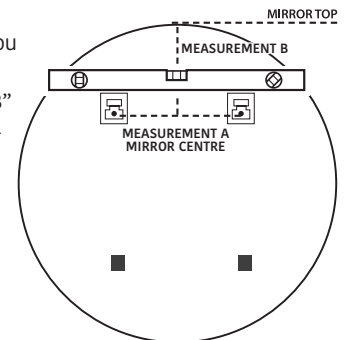


STEP 2

Lightly pencil mark on the wall where you want the top of the mirror to be.

Measure down using "Measurement B" from this mark and draw a level pencil line. Use a spirit level to ensure the line is level.

Mark the centre. Clean off the first top mark off your wall.



Step 3: Mark mirror and fixing position

STEP 3

Transpose & centre Measurement A onto your level line. Do this by dividing measurement A in half. Use this measurement and mark a cross left of the centre mark.

From the left cross measure across the distance of "Measurement A" and a mark a 2nd right cross. (this is the screw positions for the wall tongues)

Check it is centre.

STEP 5

On the wall (above the mirror) and on the top of the mirror, attach pieces of easy peel masking tape (or post-it notes) in the position of the fixings. Use these as a guide when sliding the mirror onto the wall fixings.

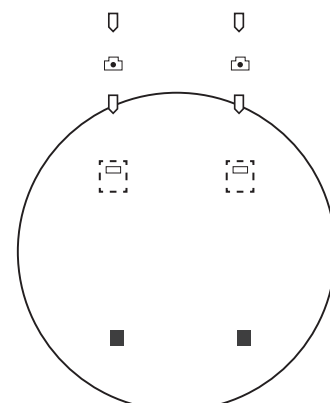
Carefully lower the mirror onto the 2x wall tongues fixed to the wall.

Adjust the wall tongues up or down for any minor height adjustments.

STEP 4

Screw the wall tongue into place.

If drilling into gib board (and no wooden stud in behind) insert the white wall fixings or use another suitable hollow wall anchor in the exact centre of the mark on the wall.



Top Tip: Masking tape on wall and mirror inline with all fixing

PLEASE READ CAREFULLY

THIS MIRROR CARRIES A FULL WARRANTY, PLEASE INSPECT THOROUGHLY BEFORE INSTALLATION TO ENSURE THIS UNIT HAS NOT BEEN DAMAGED IN TRANSIT AS THE WARRANTY DOES NOT COVER THE COST OF REMOVAL AND INSTALLATION ONCE INSTALLED.