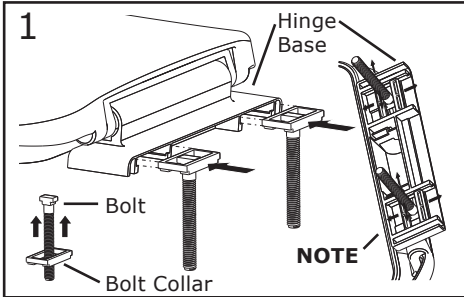


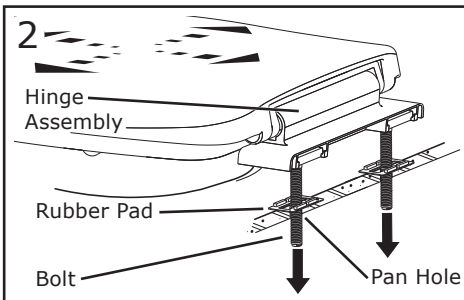
# Profile Toilet Seat - Installation Instruction

with plastic hinge



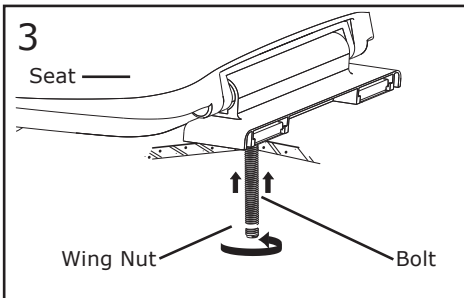
- 1 Insert Bolt into Bolt Collar and slide into Hinge Base as illustrated.

**NOTE:** Once assembled into the HingeBase the Bolt position can be adjusted backwards, forwards and sideways.



- 2 Place Rubber Pads over pan holes, flat side down. Lower seat onto pan, sliding Bolts through Pan Holes, correctly locating Pads in base of Hinge Assembly.

Check that the seat is correctly positioned on pan.



- 3 Slide Wing Nut onto bolt and firmly tighten Nut.

**IMPORTANT:** Never use abrasive or harsh chemical cleaners. Wipe seat with warm soapy water to maintain surface finish.

Manufactured for and Distributed by **GWAIL**

ABN 15 055 964 380

Locked Bag 20, Epping NSW 2121, Australia

Made in China.

Leaflet No 300515~A