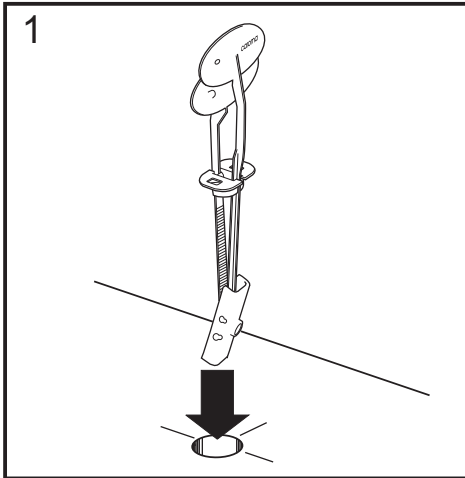
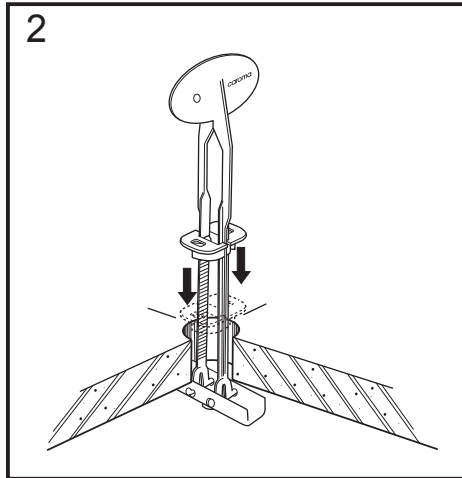


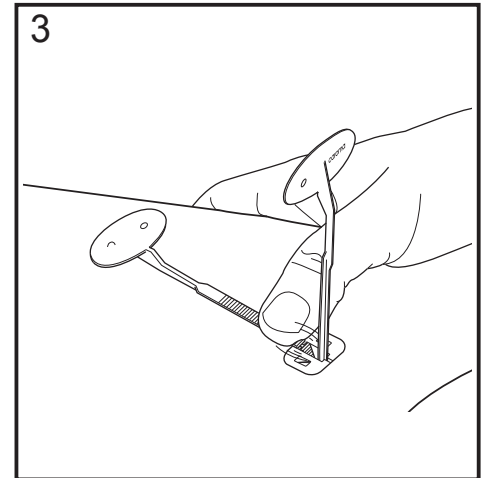
Pedigree II Soft Close/Normal Close Toilet seat



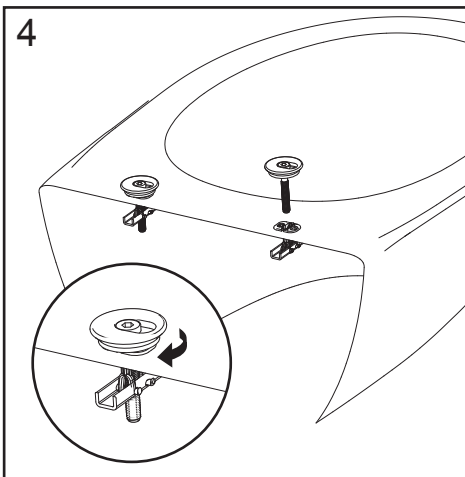
1 Push metal toggle through pan hole.



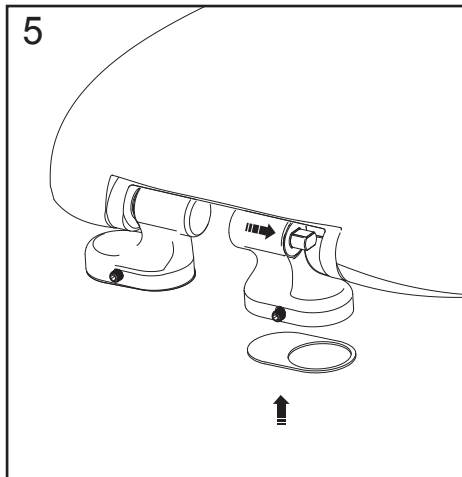
2 Realign handles and pull upwards while pushing locking bush down into pan hole.



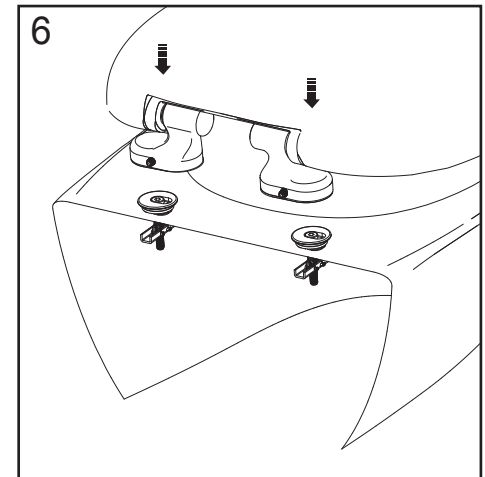
3 Break off handles flush with locking bush. Trim excess with a pair of side cutters if required.



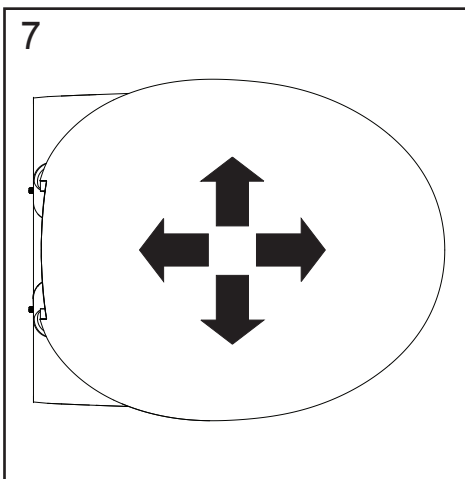
4 Using the larger allen key provided tighten the Fixing Screw firmly. Note: the Metal Cap should still be able to rotate freely.



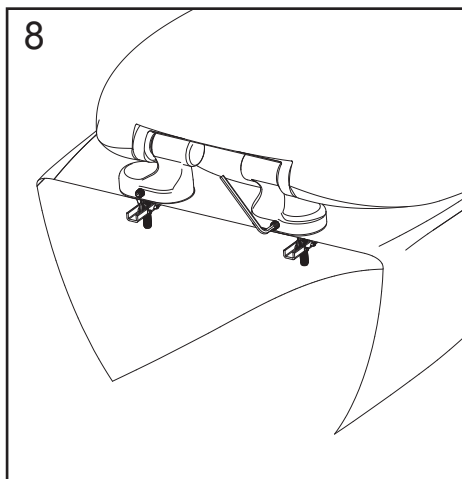
5 Fully insert Left and Right Hinge Block into matching holes. Ensure the grub screw fixing hole is at the back. Position Hinge Pads on the base of each Hinge Block.



6 Lower Seat and Hinge Block assembly onto each Metal Cap.



7 Adjust Seat to desired position on Pan.



8 Firmly tighten Grub Screws using the smaller Allen Key provided. Ensure Hinge Blocks pull down evenly onto Pan.

IMPORTANT : Never use abrasive or harsh chemical cleaners. Wipe seat with warm soapy water to maintain surface finish.