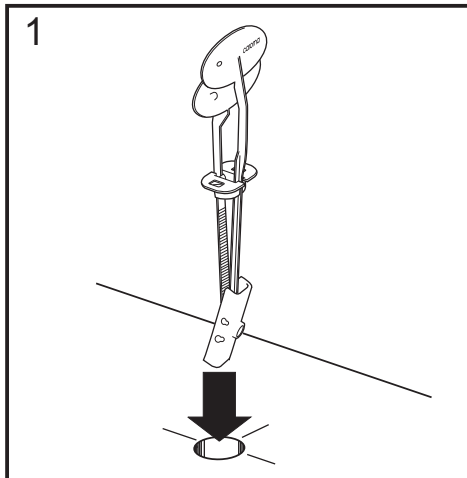
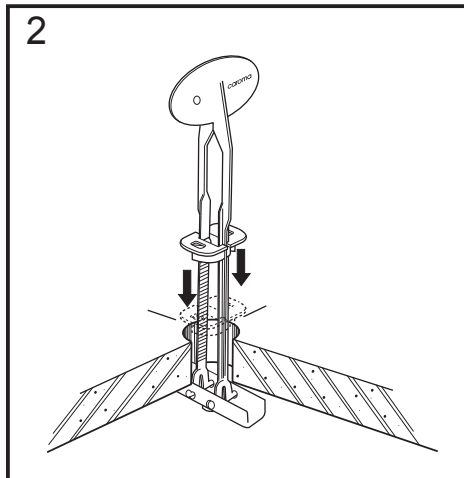


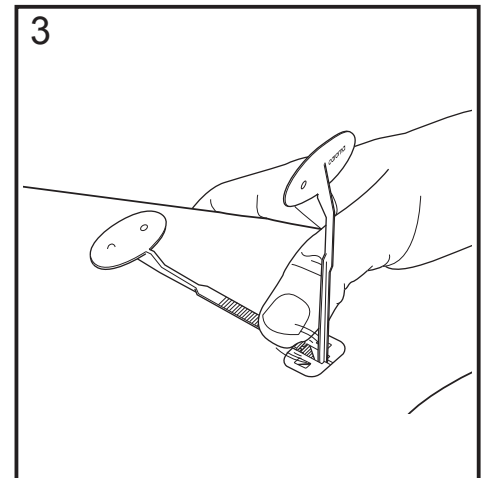
Quick Release Plastic Hinge



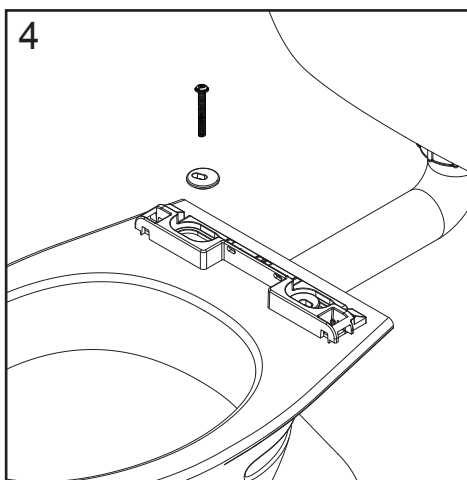
1 Push metal toggle through pan hole.



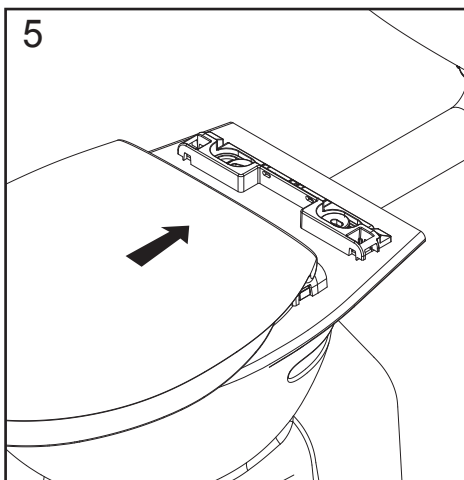
2 Realign handles and pull upwards while pushing locking bush down into pan hole.



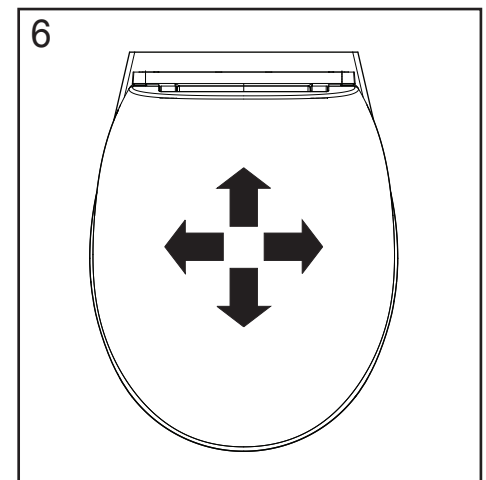
3 Break off handles flush with locking bush. Trim excess with a pair of side cutters if required.



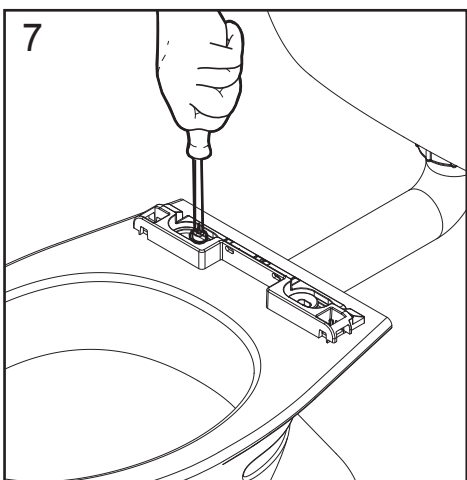
4 Loosely fix the mounting plate to the pan using the plastic washer and bolt so its position can still be adjusted.



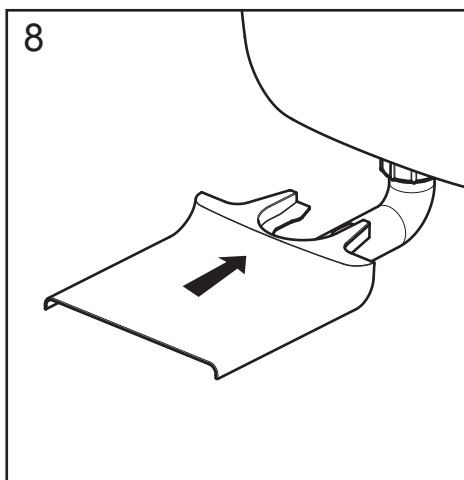
5 Push the seat and hinge plate over the mounting plate.



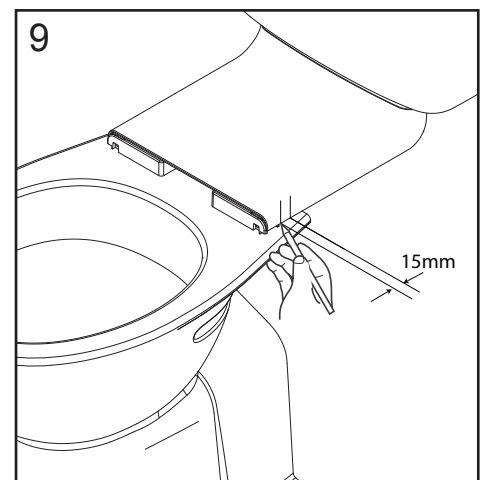
6 Adjust seat to desired position on pan.



7 Carefully remove the seat taking care not to move the mounting plate. Fully tighten the bolts.



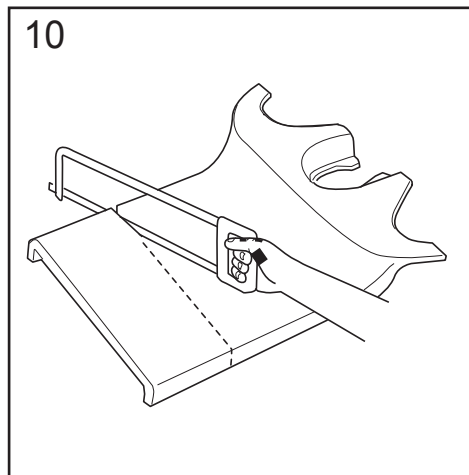
8 Clip the link plate over the flush pipe.



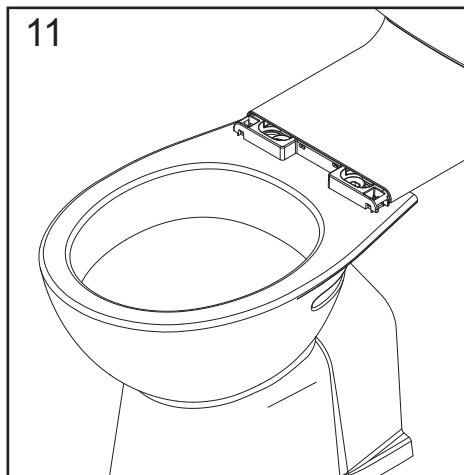
9 Push the link plate into position for marking. Mark 15mm from back of mounting block.

IMPORTANT : Never use abrasive or harsh chemical cleaners. Wipe seat with warm soapy water to maintain surface finish.

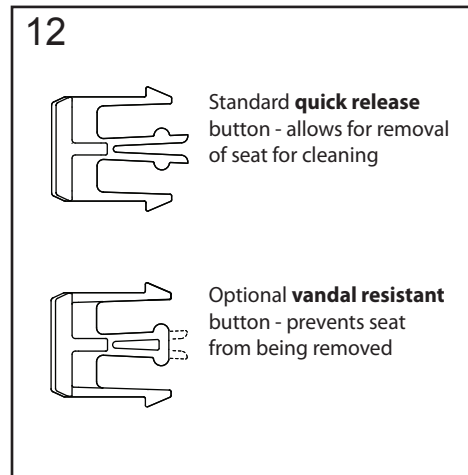
Quick Release Plastic Hinge



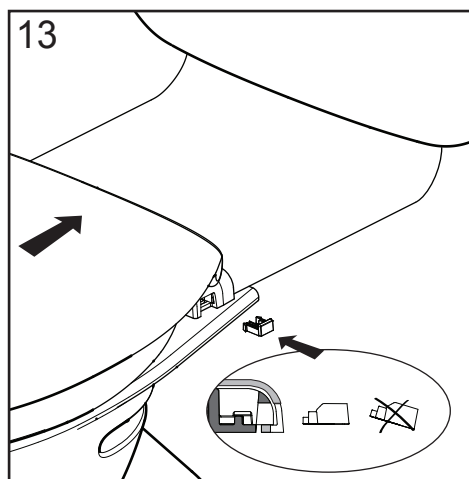
10
Cut along marked line with a hack saw.
Fitting of the seat will be made easier if a sharp
knife is used to put a bevel on the cut edge.



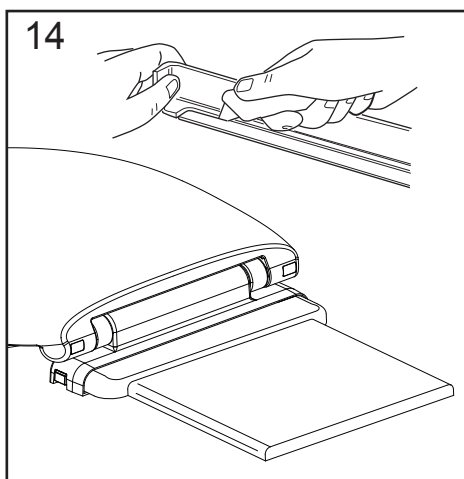
11
Replace link plate.



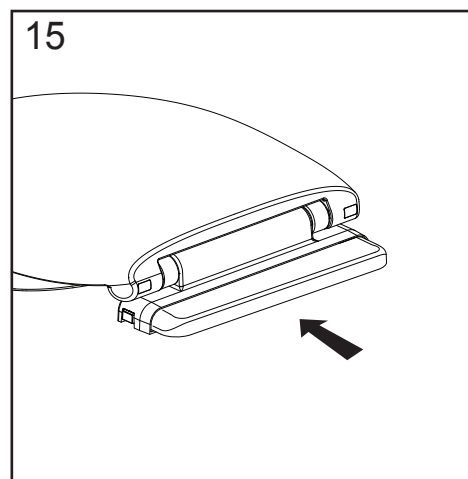
12
Two button options are available. Select suitable
button for application.



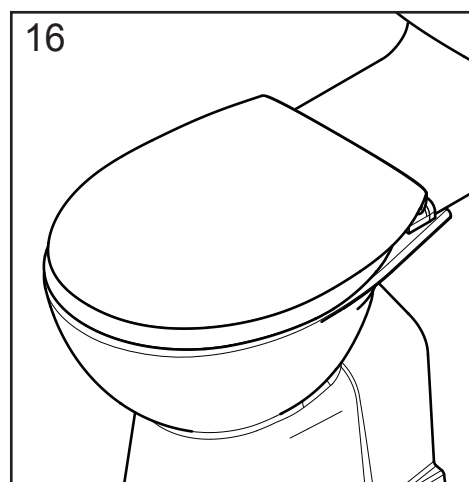
13
Slide seat into position over the mounting plate.
Insert buttons into each side of hinge block. Ensure
buttons are inserted parallel to pan.



14
Trim and fit the cover plate if the connection plate
is narrow.



15
Fit the cover plate if there is no connection plate.



16
Completed installation.

IMPORTANT : Never use abrasive or harsh chemical cleaners. Wipe seat with warm soapy water to maintain surface finish.