

## ELEVATE

Elevate Care and Commercial Range is all about making sure thoughtful products are available for use by the most vulnerable of our consumers. Elevate stainless steel grab rails feature a unique grooved non-slip surface that is easy to clean and won't trap infection.

### GRAB RAILS Stainless Steel

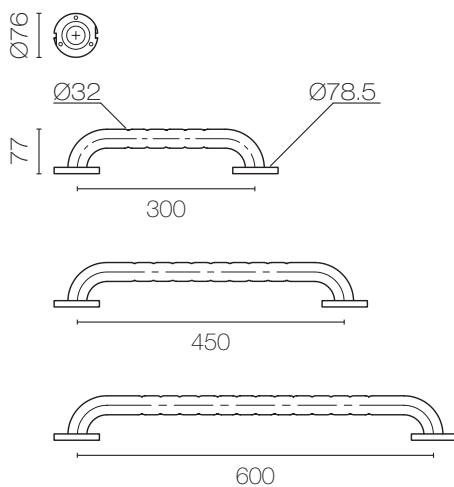


#### FEATURES AND BENEFITS

- 32mm diameter stainless steel
- Complies with NZS4121:2001
- Concealed flanges with stainless steel screws
- Unique non-slip surface that won't trap infection
- 7 year warranty
- Available in three sizes; 300mm, 450mm, and 600mm



#### SPECIFICATIONS



#### MODEL OPTIONS

- |                                 |            |
|---------------------------------|------------|
| STAINLESS STEEL GRAB RAIL 300MM | (7) 726212 |
| STAINLESS STEEL GRAB RAIL 450MM | (7) 726213 |
| STAINLESS STEEL GRAB RAIL 600MM | (7) 726214 |