

athena

BATHROOMS

Bath Installation & Operation Instructions



Important

Please read the following instructions carefully before commencing installation

**BEFORE INSTALLATION CHECK THAT YOUR ATHENA BATH IS COMPLETE AND
UNDAMAGED**

These instructions cover the installation of the following :

- **Bath Only**
 - **Factory Framed Bath**
 - **Acrylic Wall Lining**
 - **Spa Bath** (Includes Factory Framed Bath)
-
- Qualified tradesmen must carry out all plumbing and electrical works.
All aspects of the installation should be in accordance with the relevant Building Code

**Installer - Please make the Care / Maintenance & Operating Guide
at the rear of these Instructions available to the Homeowner**

Bath Installation



Bath Only

- If your Athena bath has been ordered unframed, a timber frame must be constructed to fully support the bath . (See Factory Framed example)
- Construction of the frame and installation of the bath should be carried out by a qualified tradesman.
- The bath **must be fully supported** under the perimeter of the top flange, and supported in several areas underneath the bath floor.
Note: An optional method of ensuring full support under the bath floor is to bed the bath base down into a concrete slurry.



Factory Framed Bath

- Your Factory Framed Athena bath has been supplied ready to install by a qualified tradesman.
- Check the floor area under the bath is level, as the bath has been leveled in the frame at our factory .

Framed Bath Heights

Model	Bath Height
Liquid 1675	515mm
Liquid 1800	540mm
Solace 1675	505mm
Solace 1800	505mm



Setting the Bath in position

- The bath does not require “checking” into the studs and the walls do not require packing. (assuming walls are straight and square)
- Ensure the bath is sitting level in the frame by placing a spirit level on the top flange.
Do not check for level from the bath floor
- It is recommended that the bath frame be fixed to the floor using either an adhesive or fasteners.
- Connect any plumbing before enclosing the perimeter of the bath
- For Spa & Hydrotherapy baths please refer to the dedicated section later on in these instructions

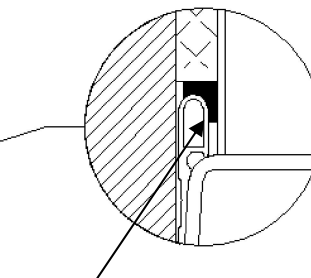
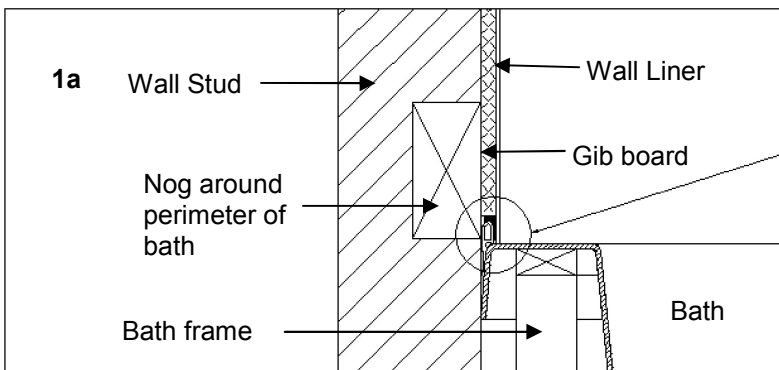
Installing Acrylic Wall Linings

1. The bath is to be installed in accordance with Athena Bath Installation Instructions.
2. Walls are to be lined with new unpainted / unsealed & un-stopped Gib board or a similar plaster board.
3. The acrylic lining should rest flat on the top surface of the bath.
4. Dry fit the liner on bath and mark its perimeter on the Gib board with a pencil.
5. Mark and drill holes for tap ware. (See Cutting & Drilling Guide)
6. Trial fit in position.
7. If fitting to a bath with the optional factory upstand (recommended) apply a continuous generous bead of silicone NG to the upper area between the Gib lining and the inside edge of the bath upstand. 30mm in from the ends fill the cavity with silicone to prevent any water tracking beyond the wall liner ends. Also seal the edge of the wall liner. Refer to diagram **1a** . If fitting to a bath without upstands apply silicone to fill the entire cavity between the Gib board and top of bath. Refer to diagram **1b**
8. Starting 10mm in from the edge of each wall apply a 5mm vertical bead of Sika Showerbond adhesive finishing just below the marked height of the liner. Continue to apply 5mm beads at 100mm centres. **Do not use any other adhesives– your warranty will be voided**

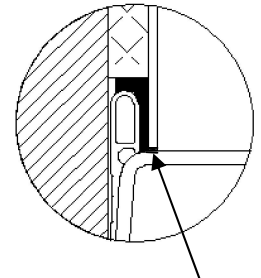
Note: From start to finish the application of adhesive should take no longer than 15 minutes.
Any delay may cause the adhesive to 'tack off' and affect the bond.

9. Place the wall lining into position and press firmly onto adhesive over the entire area.
10. Seal the top edge of the wall liner with 'Selley's No More Gaps' or a similar sealant that can be painted.
11. Clean up any excess silicone that may have oozed out from under the bottom edge of the acrylic liner using a small amount of white spirits on a clean cloth. Leave to cure for a minimum of 24 hrs

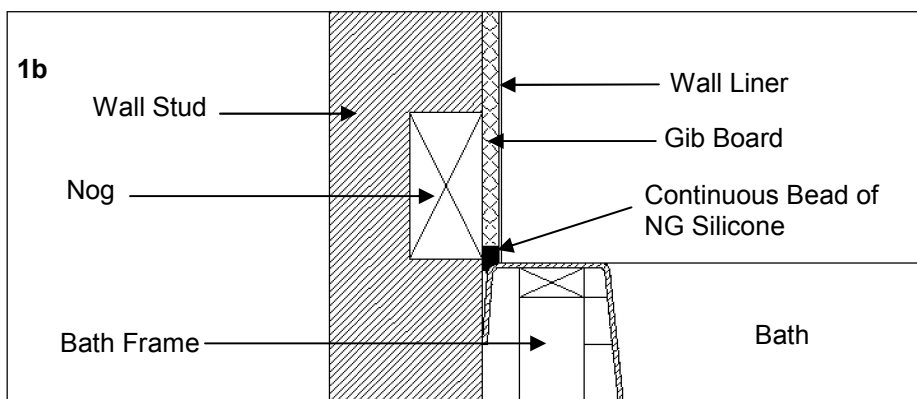
Optional Factory Fitted Upstand



Continuous bead of Silicone NG sealant



30mm in from the ends fill the cavity with Silicone NG sealant
Ensure to seal across the edge of wall liner



Cutting & Drilling Guide

- Use a jigsaw or hacksaw with minimum 18 TPI blade.
- Holes up to 12mm use a standard twist drill with reduced cutting angle.
- Holes larger than 12mm use a high speed steel or tungsten carbide hole-saw.

Spa Bath & Hydrotherapy Bath Installation Instructions

athena
BATHROOMS



- All Athena Spa baths are supplied factory framed and water tested.
- Please ensure the bath is installed in accordance with the 'Bath Installation Instructions'
- It is recommended that all Spa baths are water tested onsite **prior** to installation to ensure no damage to fittings has occurred during transit.

IMPORTANT

**Pump must be accessible (removable) after installation
Failure to provide access will void warranty**

Electrical

- All baths - 930 Watt pump & 1000 Watt heater - total unit current 8.1 amp
- Power supply to be installed by a qualified electrician in accordance with current New Zealand Electrical Code of Practice.

Spa Pump Installation

- The Spa pump is factory fitted and tested. The position of the pump must NOT be changed under any circumstances.
- Due to obstructions once installed it is recommended one of the pump fastening bolts be removed prior to final installation of the bath (this will be the bolt closest to the wall). This will enable removal of the pump if required in the future. One bolt should remain in place.

Water Test

- Fill the bath to the normal bathing level with water below 50°C (at least 50mm above Spa jets)
- Turn on Spa pump by pressing On/Off on electronic switch pad.
- Leave bath to run for 5-10 minutes to ensure bath is free from any leakage.

Caring For your Bath

Please read before using your Athena bath.

This advice is relevant for all Athena baths and is vital in ensuring your bath remains in pristine condition throughout its life.

Care and Maintenance

Acrylic has excellent resistance to most things it is likely to come into contact within the bathroom. However it should not be exposed to a naked flame, cigarettes or strong solvents.

To maintain your bath it is recommended you adopt the following:

The temperature of the supply water should not exceed 55 degrees Celsius.

When filling the bath start with cold water to allow the bath to gradually adapt to the temperature.

To maintain the high gloss finish of your bath rinse with warm water and dry polish with a towel after each use. Athena Bathrooms recommend 'Vibrance Acrylic Surface Cleaner' for regular cleaning. Available through most Bathroomware retailers.

If by accident your bath gets scratched it may be restored by using a fine polish such as Brasso. If this will not remove the scratch it maybe cut back with a very fine wet and dry paper (1200# -1500#) used liberally with water. After removing the scratch restore gloss with Brasso or a car paint cutting compound.

Spa Bath Operating Guide

When filling the bath it is recommended to partially fill with cold water as the pump features a safety protection device that will prevent the heater operating in temperatures exceeding 50°C. The bath should be filled to a minimum of 50 mm above the jets

The heater unit is designed to maintain water temperature not heat water from ambient

To start the Spa Pump

- Check there is power to the bath, the **Power light** on the control touch pad will be illuminated
- Press the Spa button to start or stop the pump and heater together. **Pump and Heat lights** will illuminate
- Pressing the **ECO Heat** button will turn the heater off or on while the pump will continue to operate. **Heat light** will either be off or on respectively



Spa Bath Operating Guide Continued

Using the Air Control

- Turning the Air Control anti-clockwise will induce more air into the spa system creating a vigorous massage.
- Turning the Air Control clockwise will reduce the air intake into the spa system for a gentle massage effect.
- Closing the Air Control totally will only allow water to pass through the jets



Spa Jets

- The spa jet “eyeball” can be swivelled to adjust the direction of water flow. Simply place the tip of the index finger onto the edge of the eyeball and move accordingly



Hydrotherapy Operating Guide

To start the Spa Pump

- Refer to Spa Bath operation section

Rotating Mini Jets - Lumbar & Foot

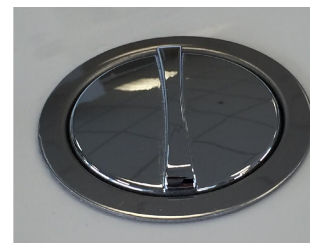
- Mini jets rotate delivering a concentrated hydro massage
- These jets cannot be adjusted for flow or direction

Spa Jets

- Please refer to the Spa section above

Using the Air Control

- Like the main spa jets, the Mini jet's water and air mixture can also be adjusted with its own Air Control. For operation please refer to The Air control instructions above



Spa Bath Trouble Shooting

Spa Bath

Symptom	Cause/Remedy
Spa pump does not start	Check power available to socket. Check electronic touch pad is connected to pump
Spa pump starts but no water from jets	Check bath installed level (top edge level). Check water at least 50mm above jet level. Check jets are in open position
Spa pump starts then stops	Insufficient water in bath. Blocked suction inlet.

Technical Assistance

Should you continue to experience a problem or for further technical information please contact Athena:

Toll Free: 0800 4 ATHENA
Email: information@athena.co.nz

For any fault related enquires please contact the merchant where the bath was purchased from and provide them with the following information:

- **Pump Serial Number (located on pump casing)**
- **Nature of fault**