

INSTALLATION INSTRUCTIONS



FURNITURE

VALENCIA™ Vanity



Contemporary design and quality construction, providing affordable storage for bathrooms of any size or style.

It's the details that Englefield cares about - from pioneering the latest technology, to innovative design.



Floor Standing Models



Wall Hung Models

BEFORE YOU BEGIN

Please read these instructions carefully to familiarise yourself with the required tools, materials, and installation sequences. Follow the sections that pertain to your particular installation. This will help you avoid costly mistakes. In addition to proper installation, read all operating and safety instructions.

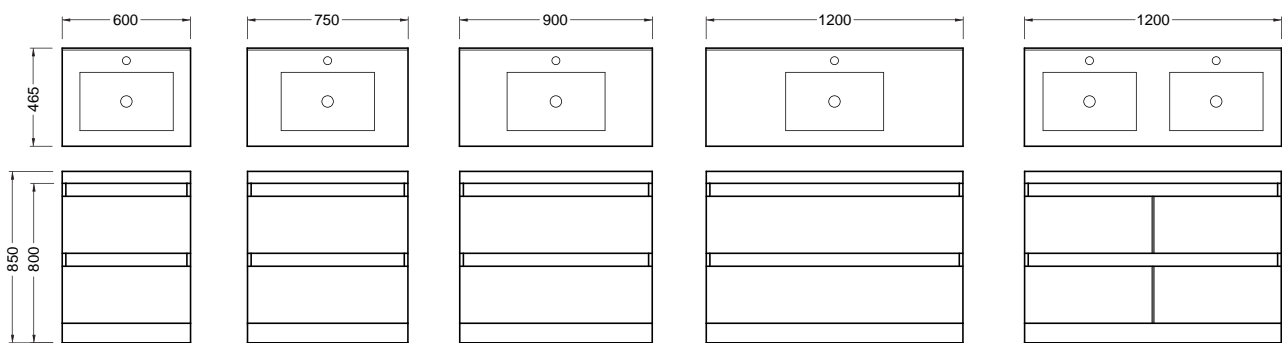
Prior to installation, inspect cabinet and top to ensure that no damage has occurred in transit. If damage has occurred, or a visible defect exists, do not proceed with installation, and advise your supplier immediately.

Instructions, drawings, and diagrams contained in this manual present information available at the time of printing. Although every attempt has been made to keep them up-to-date, Englefield reserves the right to implement product changes without further notice.

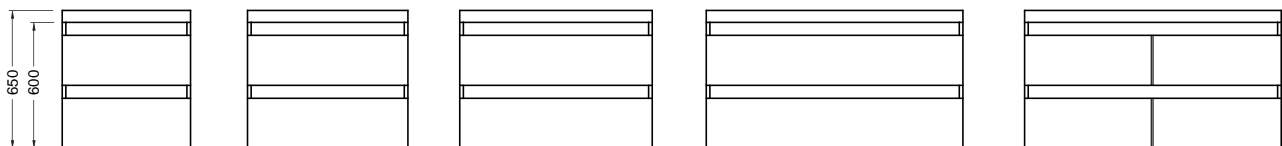
Please leave these instructions for the consumer. They contain important information.

ROUGH-IN

Floor Standing Models



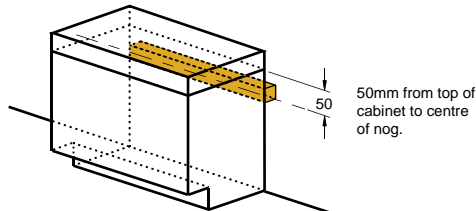
Wall Hanging Models



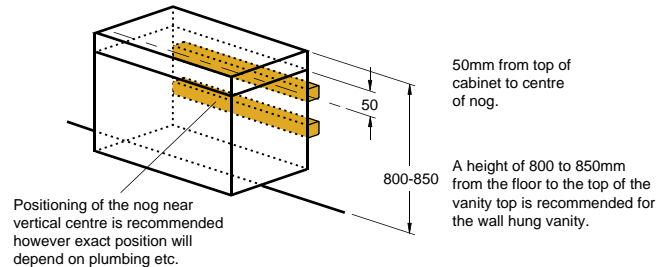
CONSTRUCTION REQUIREMENTS

Floor standing models must be fixed to a nog in the wall. Wall hung models must be fixed to two nogs in the wall. The nog size should be 50 x 75mm.

Floor standing models

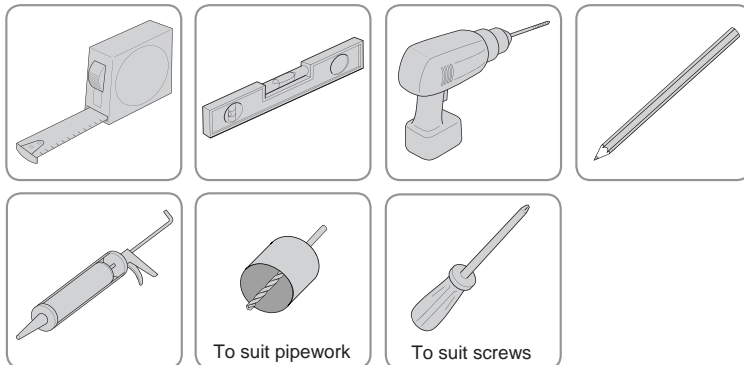


Wall Hung models

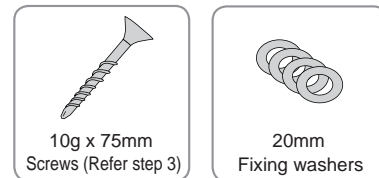


TOOLS AND MATERIALS REQUIRED - (Not Supplied)

TOOLS



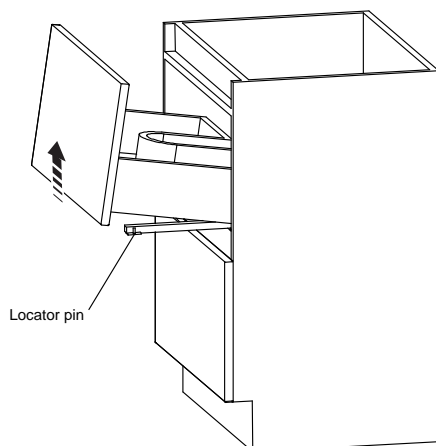
MATERIALS - Not supplied & must be purchased separately



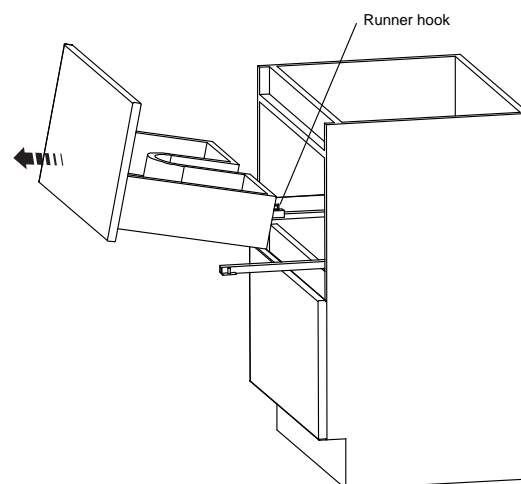
INSTALLATION

1 Drawer removal

(a) Open the drawer and carefully lift up on the end of the drawer to release it from the runner locator pins. It may be necessary to gently pry the runner away from the drawer.



(b) The drawer is now only held by the runner hooks at the back and can be pulled out in the direction shown.

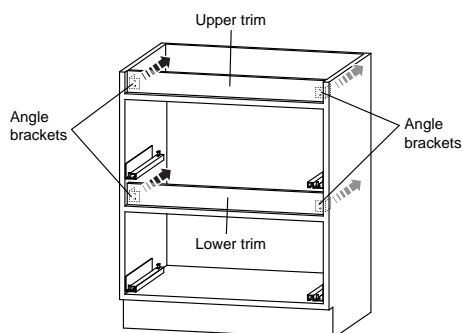


2 Changing drawer trims (Optional)

NOTE: This section is only applicable if you have purchased alternate trims for your vanity cabinet.

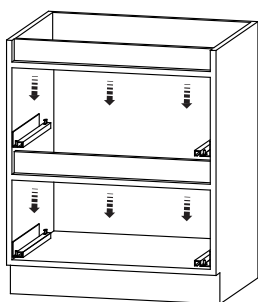
- (a) After both drawers have been removed (refer to section 1), unscrew the 2 trim fixing screws from each angle bracket located behind either side of each trim.

NOTE: Keep the screws for use later on.



- (b) Unscrew 3-4 screws from underneath each trim and remove the trims from the cabinet.

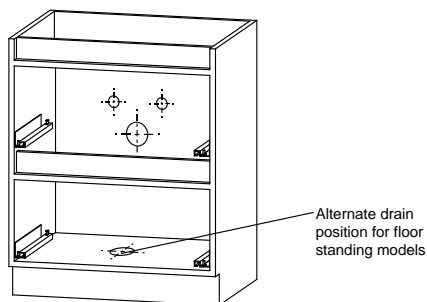
NOTE: Keep the screws for use later on.



- (c) Fix the new trims in place using the screws that were removed from the original trims.

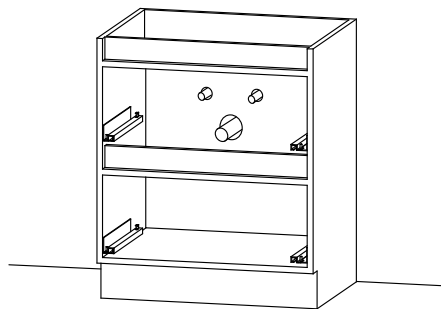
3 Water supply and waste pipe holes

- (a) Measure and mark the centres for water supply and waste pipes on the back of the cabinet.



- (b) With a suitably sized hole saw drill the holes for the water supply and waste.

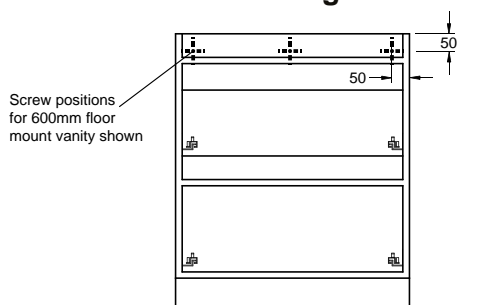
- (c) Having drilled the required holes fit the cabinet into position over the pipework.



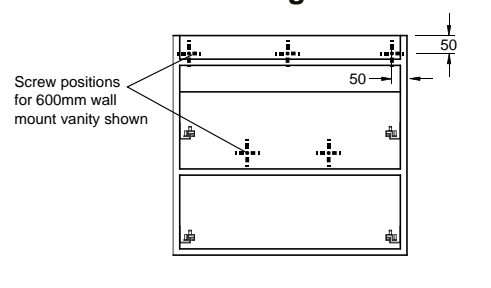
NOTE: Before fastening the cabinet make sure that it is sitting level and square and if installing a floor mounted model ensure that the selected location is free of bumps and protrusions.

NOTE: Screws should be positioned in an evenly spaced pattern as shown below.

Floor standing models



Wall Hung models



4 Fixing the vanity to the wall

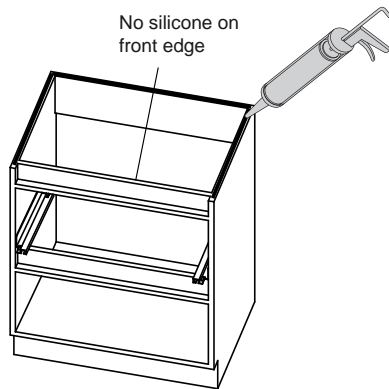
- (a) Fix the cabinet to the wall using screws (min 10g x 75mm) and *20mm washers. Screw through the back rail or wall so that they screw into the nog/s in the wall behind.

*Washers must be used to spread the load.

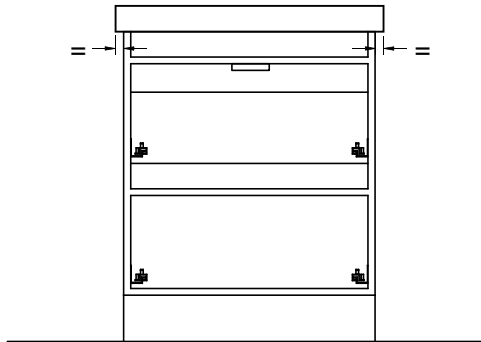
Size	Number of screws required	
	Floor Mount	Wall Mount
600	3	5
750	4	7
900	4	7
1200	5	9

5 Vanity top

- (a) Unpack the top and check for any damage that might have occurred in transit. Check and confirm the fit of your selected tapware.
- (b) Apply a continuous bead of silicone (not supplied) to the top edge of the cabinet sides and back. Ensure there are no gaps in the sealant bead. This will ensure the top stays securely fitted to the cabinet and no water spillage will find its way into the cabinet.



- (c) Place the vanity top onto the cabinet ensuring that the back is flush against the wall and there is an even overhang on either side of the cabinet.



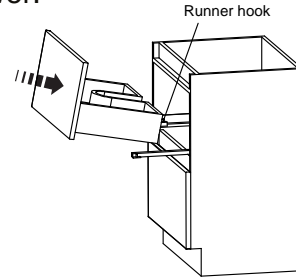
- (d) Wipe off any excess sealant.

6 Waste and tapware

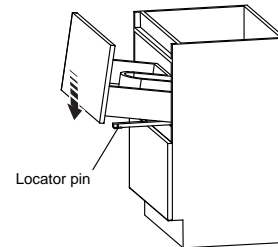
- (a) Fit the waste and tapware. Connect the water supply to the taps and waste pipe to the waste outlet.
- (b) Run hot and cold water and check for leaks. When satisfied with the results move on to the next section.

7 Drawer re-installation

- (a) To re-install the drawers, extend the runners. Place a drawer onto the runners and slide back so that the runner hooks insert into the rear of the drawer.



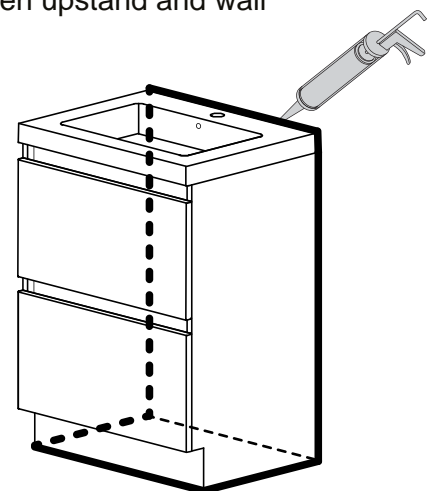
- (b) Make sure the locator pins line up with the holes in the bottom of the drawer and press the drawer down so that the pins slot into place.



8 Sealing

- (a) All edges MUST be sealed with an approved Silicone Sealant.

- Between cabinet and floor
- Between cabinet and wall
- Between upstand and wall



INSTALLATION COMPLETE

CLEANING AND MAINTENANCE INSTRUCTIONS

- For cleaning instructions, please refer to the Home Owner's Guide .

CONTACT AND WARRANTY INFORMATION

- For contact information, please refer to the Home Owner's Guide.

- For warranty and other information, please visit our website.

NEW ZEALAND
KOHLER NZ LTD

www.Englefield.co.nz

AUSTRALIA
KOHLER CO.

www.Englefield.com

