

[WOODSMAN.CO.NZ](http://WOODSMAN.CO.NZ)





**TODAY'S  
FIRES FOR  
TODAY'S  
LIVING**





ASPEN

ECR NoVo

TARRAS



FLARE



TASMAN



TOTARA

# BIG LOGS. BIG HEAT.

## TARRAS

When it comes to heating up large spaces quickly and keeping them cosy, the Tarras MKIII gets straight down to business. It's the benchmark in large fires with a high-capacity firebox and sustained heat output that has the power to drive warmth into every corner of your home.

- ◆ Clean air approved for all zones
- ◆ Water heating option (wetback)
- ◆ Cook top



**76<sub>L</sub>**  
FIREBOX  
CAPACITY

**23.4<sup>4</sup>** kW  
LAB TEST  
HEAT OUTPUT

**240<sub>m<sup>2</sup></sub>**  
HOME  
HEATING AREA

**15**  
YEARS  
FIREBOX  
WARRANTY

**1**  
YEAR  
PARTS  
WARRANTY





# SHOW YOUR FLAIR

## FLARE

Your home reflects your sense of style and individuality so the fire that you put at the heart of it should too. Designed for medium-sized spaces, the Flare stands apart from other fires and makes a statement all of its own.

- ◆ Clean air approved (except in 0.7 zones)
- ◆ Three colour options: Red Brown, Metallic Brown, Charcoal
- ◆ Three base options: Pedestal, Legs and Wood Box
- ◆ Water heating option (wetback)



**56L**  
FIREBOX  
CAPACITY

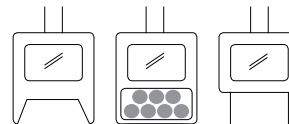
**17.1** kW  
LAB TEST  
HEAT OUTPUT

**180** m<sup>2</sup>  
HOME  
HEATING AREA

**15**  
YEARS  
FIREBOX  
WARRANTY

**1**  
YEAR  
PARTS  
WARRANTY

Base options



Colour options







# ABLE TASMAN

## TASMAN

Traditional styling comes together with a modern, easy-clean pedestal base. Designed for medium to large living areas, the Tasman MKII combines the best of traditional and contemporary styling.

- ◆ Clean air approved for all zones
- ◆ Water heating option (wetback)
- ◆ Cook top



**56<sub>L</sub>**  
FIREBOX  
CAPACITY

**19.<sup>6</sup><sub>kW</sub>**  
LAB TEST  
HEAT OUTPUT

**190<sub>m<sup>2</sup></sub>**  
HOME  
HEATING AREA

**15**  
YEARS  
FIREBOX  
WARRANTY

**1**  
YEAR  
PARTS  
WARRANTY



# HOME ON THE RANGE

## ASPEN

Embracing NZ's rustic heritage, this traditionally styled centerpiece conveys an understated elegance that will never date. Designed for medium to large living spaces, the Aspen is your dependable companion for those long winter nights.

- ◆ Clean air approved for all zones
- ◆ Water heating option (wetback)
- ◆ Cook top



**56<sub>L</sub>**  
FIREBOX  
CAPACITY

**19<sup>.6</sup><sub>kW</sub>**  
LAB TEST  
HEAT OUTPUT

**190<sub>m<sup>2</sup></sub>**  
HOME  
HEATING AREA

**15**  
YEARS  
FIREBOX  
WARRANTY

**1**  
YEAR  
PARTS  
WARRANTY





# THE LITTLE FIRE THAT CAN

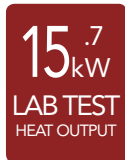
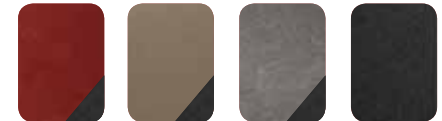
## ECR NoVo

It's a compact package, but don't be deceived - this little fire punches above its weight and will keep your small to medium-sized living area toasty warm for years to come. Offering great value, super reliability and coloured side panels to fit your décor, the ECR NoVo is the little fire that can.

- ◆ Clean air approved (except in 0.7 zones)
- ◆ Ultra-durable 6 mm steel firebox
- ◆ Cook top
- ◆ Colours options additional: Red, Brown, Pewter and Metallic Black (standard)



Colour options







# A GREAT PERFORMER

## TOTARA

It's the perfect option for upgrading your brick open fireplace or a stylish choice for keeping your modern home snug and warm. With many years of proven performance, the Totara has stood the test of time and delivers exceptional value for money.

- ◆ Clean air approved (except in 0.7 zones)
- ◆ Ultra-durable 6 mm steel firebox
- ◆ Zero clearance box available (for timber framing)



**33<sub>L</sub>**  
FIREBOX  
CAPACITY

**13<sup>.7</sup><sub>kW</sub>**  
LAB TEST  
HEAT OUTPUT

**120<sub>m<sup>2</sup></sub>**  
HOME  
HEATING AREA

**15**  
YEARS  
FIREBOX  
WARRANTY

**1**  
YEAR  
PARTS  
WARRANTY



# DESIGNED FOR HIGH PERFORMANCE...

## HEATSAVER™ FLUE

high-efficiency  
HEATSAVER™ flue draws  
cooling air from outside

## HIGH TEMPERATURE SILICON PAINT

easy-care, easy-repair paint  
finish of choice, exclusively  
from PLP**COATINGS**™  
in Belgium



## HAND CRAFTED

welded by hand for long  
lasting joints that withstand  
extreme temperatures

## T304 STAINLESS STEEL BAFFLES

high-quality stainless steel  
welded baffles for longer  
life and efficient burning



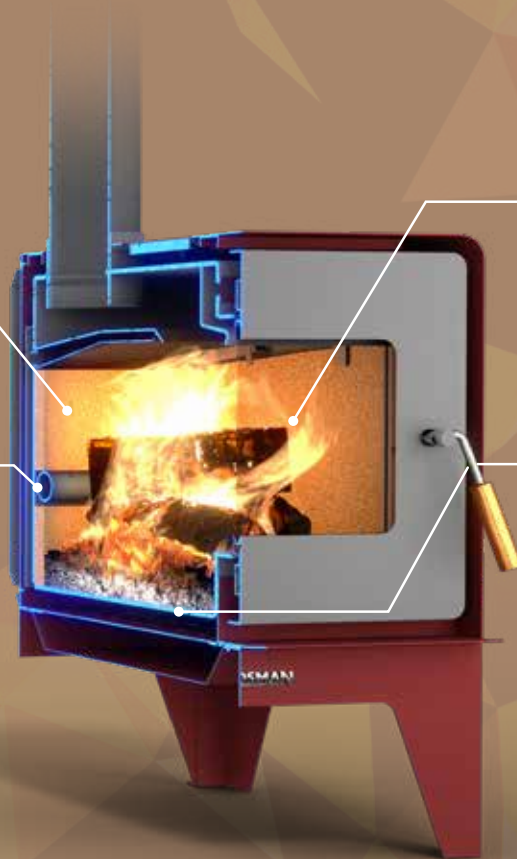
# BUILT TO LAST!

## TOUGH BRICKS

long lasting, compressed Vermiculite SKAMOLEX™ fire bricks, designed to withstand extreme temperatures

## LONG LASTING PARTS

use of only the best materials to ensure maximum life of consumable parts



## CERAMIC GLASS

highest quality glass supplied by SCHOTT ROBAX®, leaders in fireplace glass

## HIGH CARBON STEEL

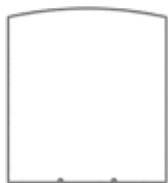
6-8mm steel plate used for high construction strength and ultimate firebox longevity

# LOW PROFILE STEEL FLOOR PROTECTORS

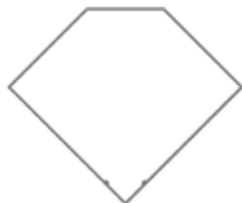
## HEARTH SPECIFICATIONS

### Shape options:

Wall



Corner



### Colour options:

Charcoal



Black



### Recommended for:



Tarras MKIII



Tasman MKII



ECR NoVo

Use an ash floor protector or any non-combustible material



# LOW PROFILE FLOOR PROTECTORS

A range of attractive steel floor protectors are available to suit certain Woodsman models, offering you an easy and safe solution for your installation needs.

- ◆ Easy-clean powder-coated finish
- ◆ Wall or Corner options
- ◆ Available in Black and Charcoal
- ◆ Stub-proof design
- ◆ 4mm finished thickness

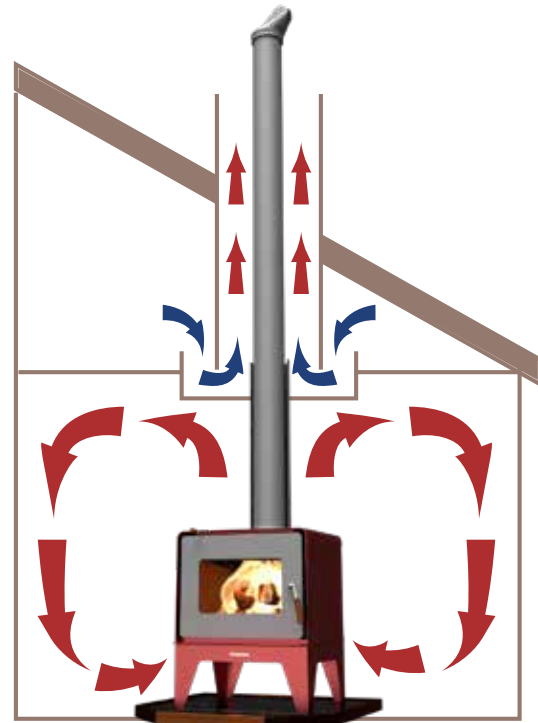


HIGH EFFICIENCY

# HEATSAVER™ FLUE SYSTEM

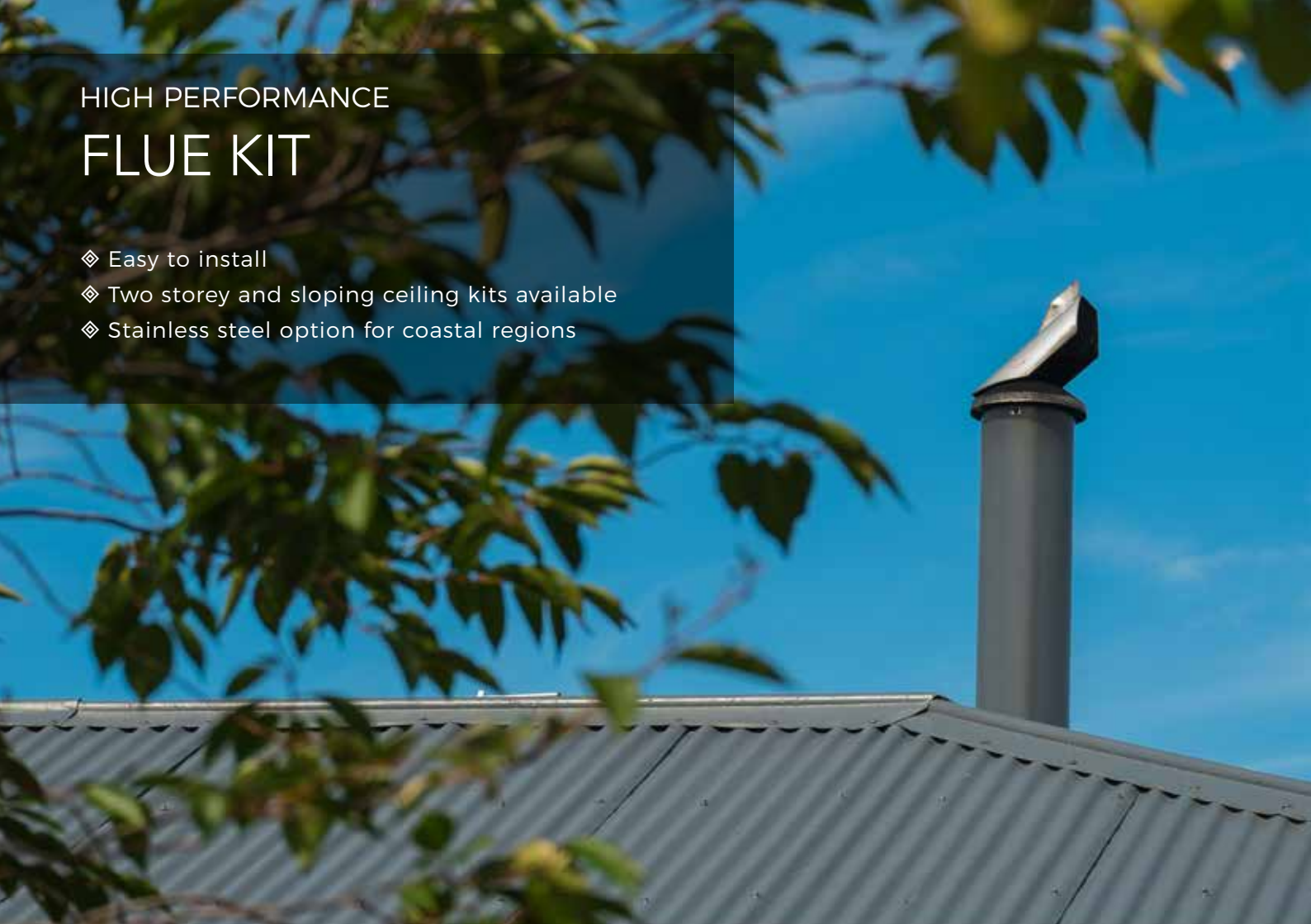
The HeatSaver™ Flue System allows you to heat your home more efficiently by retaining the heat inside your home. The system draws its cooling air from either inside the ceiling cavity or outside the home, thereby retaining precious warmth.

Insist on a Heatsaver™ Flue System with your new Woodsman fire and enjoy increased warmth through greater efficiency.



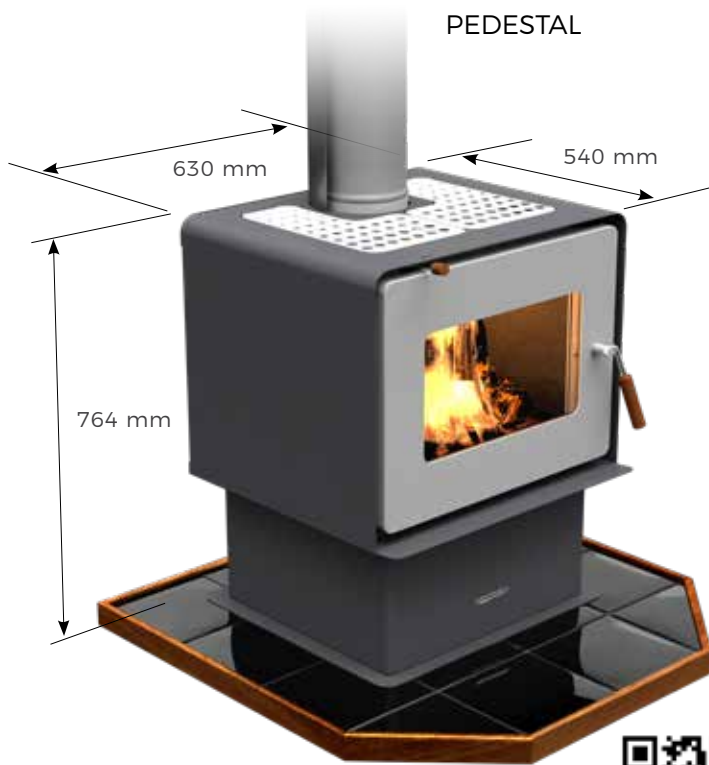
# HIGH PERFORMANCE FLUE KIT

- ◆ Easy to install
- ◆ Two storey and sloping ceiling kits available
- ◆ Stainless steel option for coastal regions



# FLARE

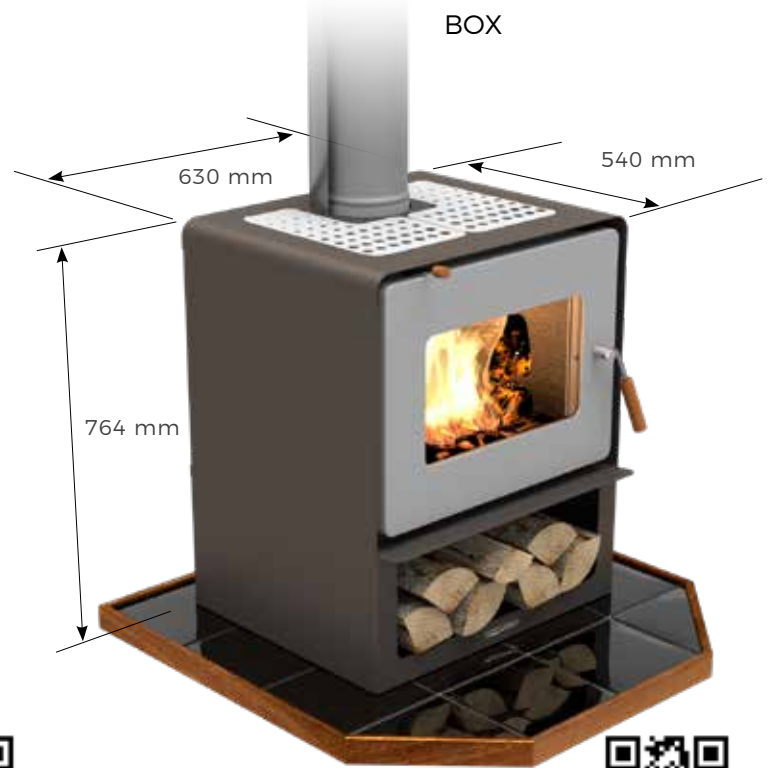
PEDESTAL



[woodsman.co.nz/flare-ped](https://woodsman.co.nz/flare-ped)

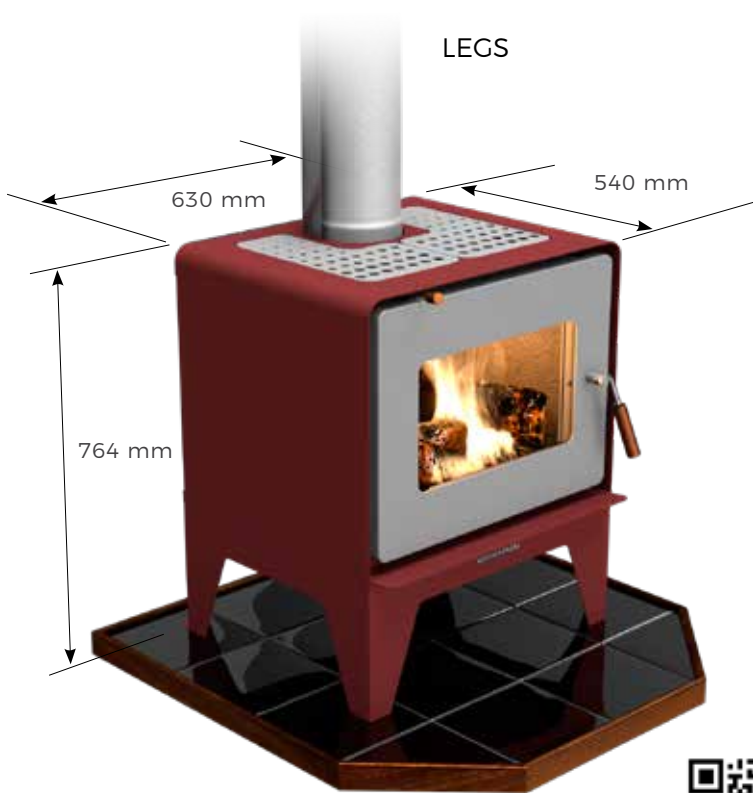


BOX

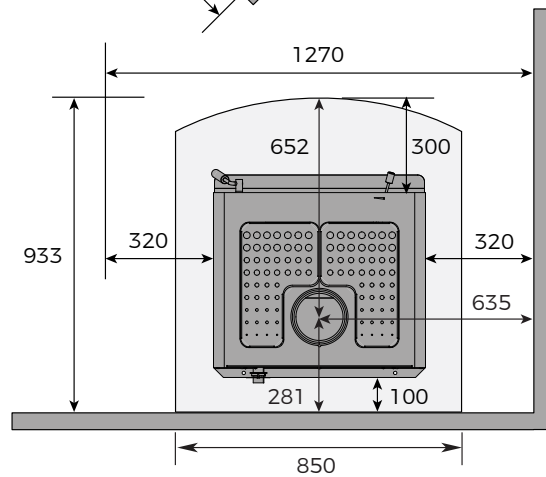
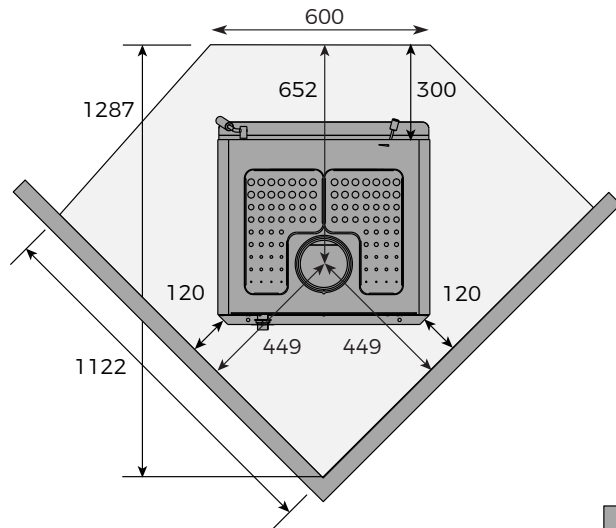


[woodsman.co.nz/flare-box](https://woodsman.co.nz/flare-box)

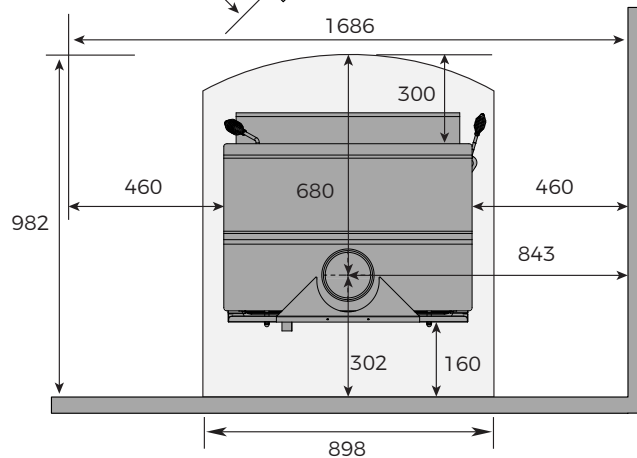
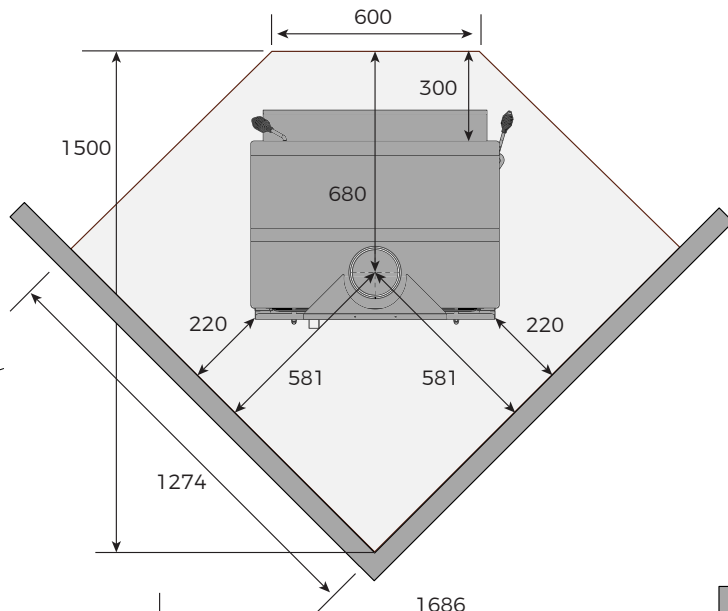




[woodsman.co.nz/flare-legs](http://woodsman.co.nz/flare-legs)



# TARRAS MKIII

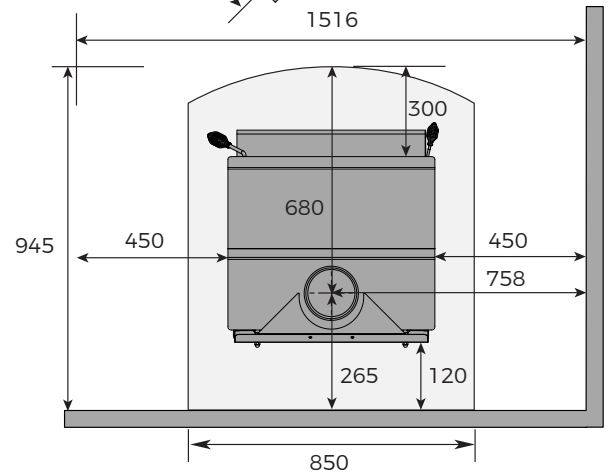
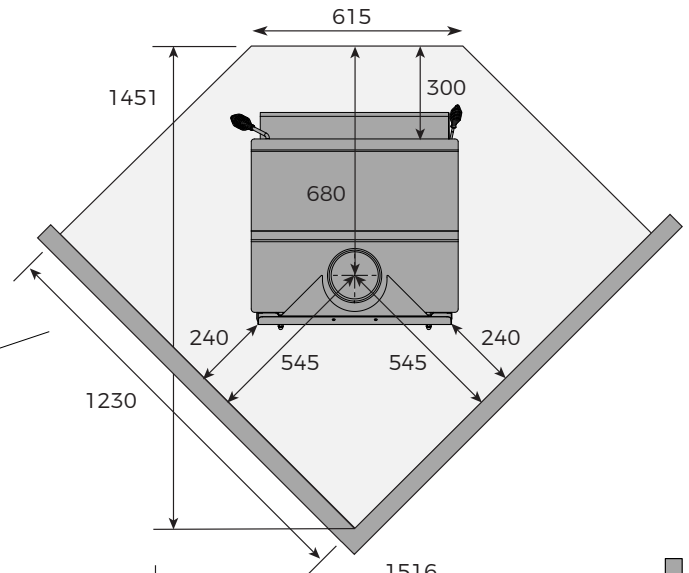
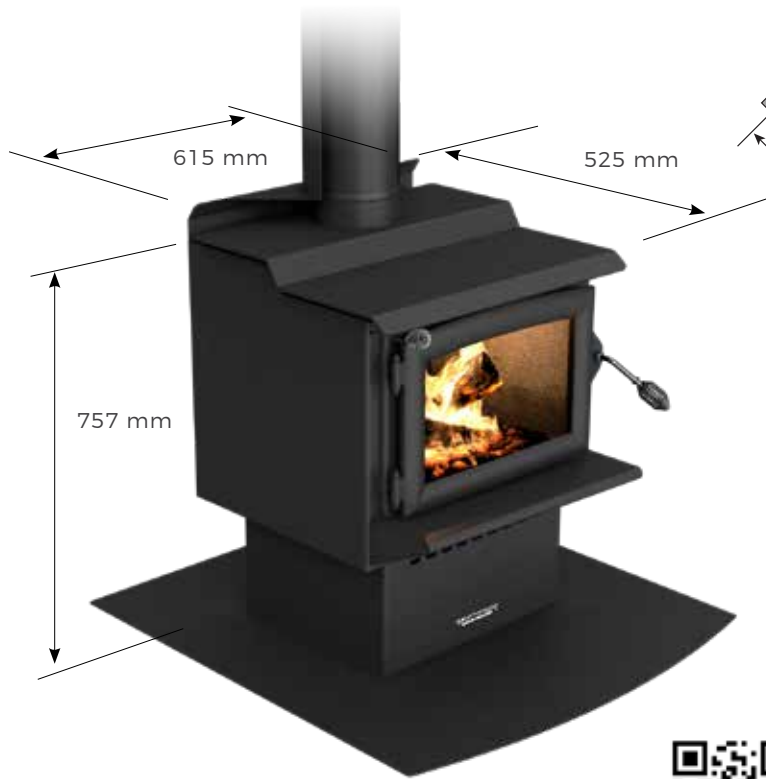


[woodsman.co.nz/tarras](http://woodsman.co.nz/tarras)





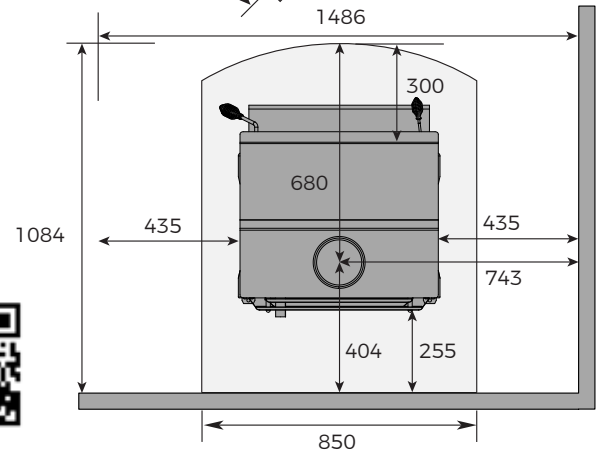
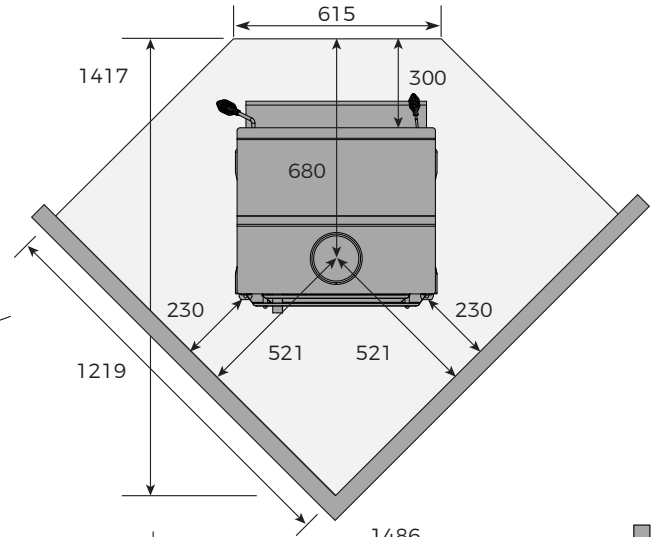
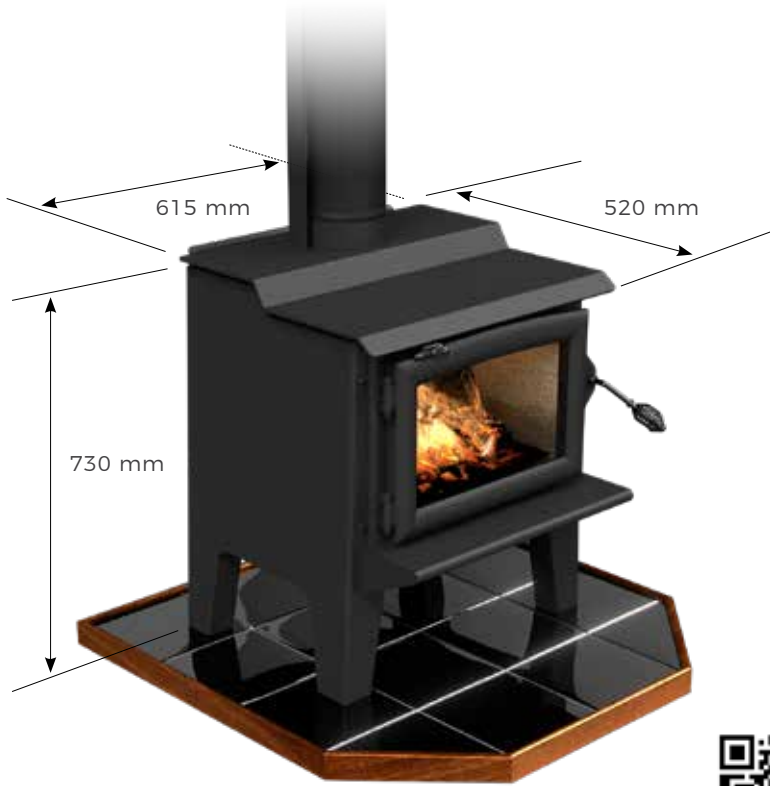
# TASMAN MKII



[woodsman.co.nz/tasman](http://woodsman.co.nz/tasman)



# ASPEN



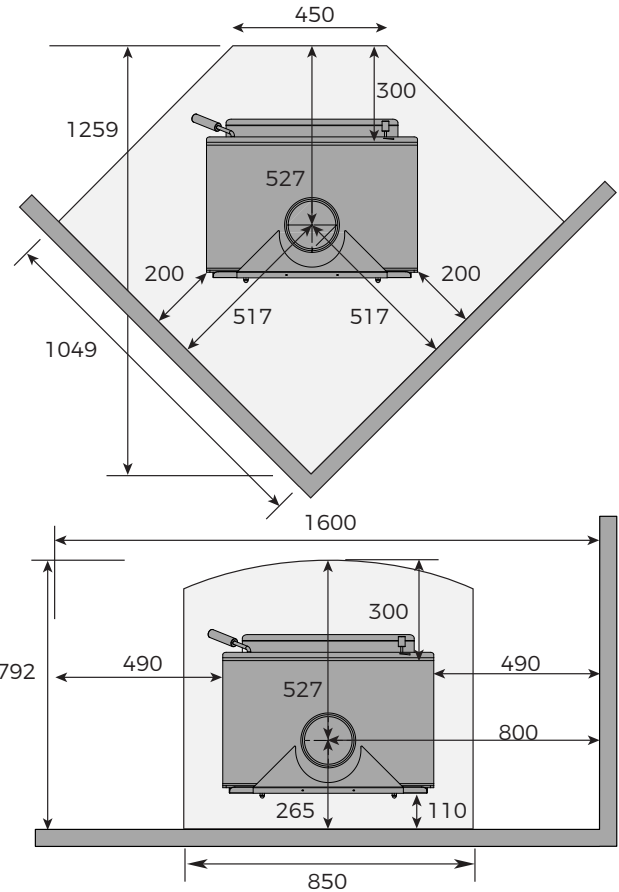
[woodsman.co.nz/aspen](http://woodsman.co.nz/aspen)



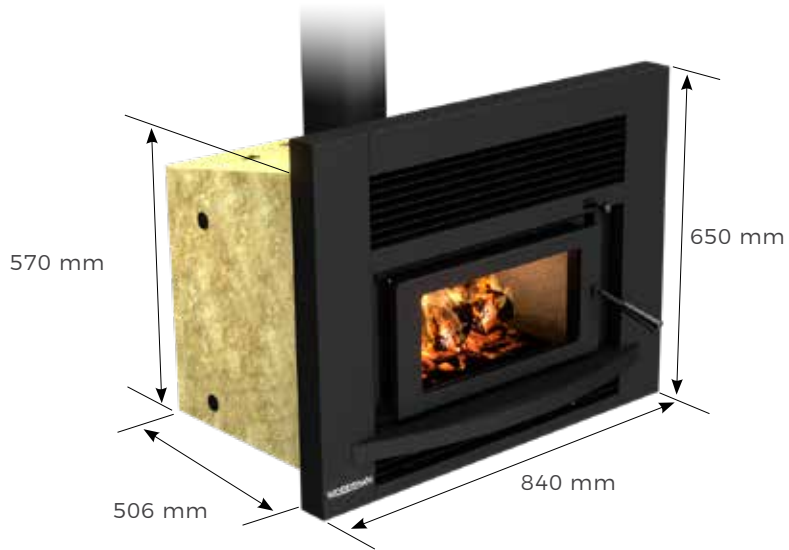
# ECR NoVo



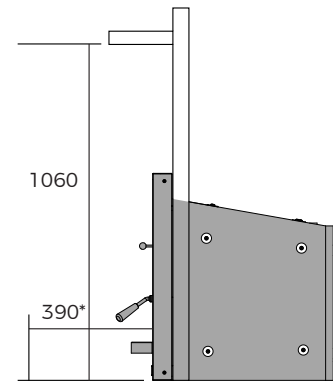
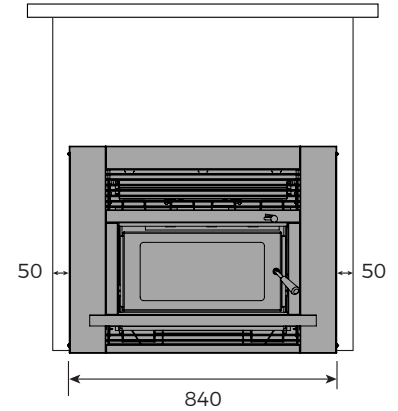
[woodsman.co.nz/ecr-novo](https://woodsman.co.nz/ecr-novo)



# TOTARA



[woodsman.co.nz/totara](http://woodsman.co.nz/totara)



\* see graph in installation instructions





Harris Home Fires have been keeping fires at the heart of Kiwi homes since 1887. A family business for 5 generations, it remains committed to hand crafting your fire to the most exacting standards, right here in New Zealand.







**WOODSMAN**

ESTD 1887





## ADDRESS

---

41 Braddon Street  
Addington  
Christchurch 8024

New Zealand

## CONTACT

---

Freephone : 0800 366 17 96  
Phone : +64 3 366 17 96

Email : [sales@hhf.co.nz](mailto:sales@hhf.co.nz)  
Website : [woodsman.co.nz](http://woodsman.co.nz)

## DEALER DETAILS



**WOODSMAN**