

GPH350 1500W PANEL HEATER



Product Attributes

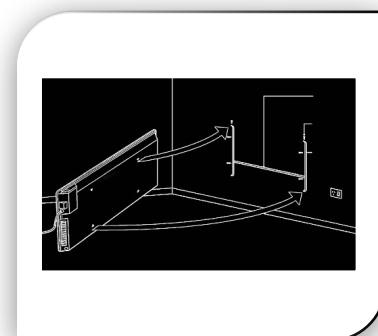
- 2 heat settings
- Adjustable thermostat
- Castor wheels
- Overheat protection
- Wall mountable
- Approximate Size: H 410 x W 620 x D 120mm
- Weight: 4.5kg

Technical Informations

- 1350-1500W
- 220-240VAC 50Hz

Admin Informations

- Carton quantity: 1
- Barcode: 9420014231657
- 2 year warranty



CDB  **GOLDAIR**

New Zealand
PO Box 100-707
North Shore Mail Centre
Auckland 0745
www.goldair.co.nz

Australia
PO Box 574
South Morang
Victoria 3752
www.goldair.com.au