



YUNCA

PART OF THE FAMILY

Wood Burners



March 2018

Oscar



The OSCAR Wood Burner is a smaller unit that punches well above its weight. Extremely low emissions, factory pre-set air control for optimal performance, and a removable top plate to expose the cook-top if required.

Why is it so good?

OSCAR is a stylish modern unit, and the pre-set air control takes the guess work out of getting the best performance from your fire. Just keep topping up the wood as needed, and the heater takes care of keeping the emissions as low as possible. Since it's pre-set at the factory for optimum performance, there are no user-controlled air intakes to worry about at all.

Who buys the Oscar?

Owners of smaller well-insulated homes appreciate the OSCAR's natural good looks and less intrusive footprint. It can be used as both a primary and secondary heating source depending on climate, room size and insulation.

COLOUR OPTIONS

STANDARD COLOUR



HTP Black
– a High Temp Paint finish

OPTIONAL VITREOUS ENAMEL COLOURS



Gunmetal Black
– a vitreous enamel finish



Saffron



Arctic White



Chocolate



Silver Grey



Blue Grey



Canary



Sage



Wasabi

Please note that colour range shown is limited by the printing process and are given as a guide only.

SPECIFICATIONS

HEAT OUTPUT – Estimated 12kW maximum.

EMISSION AND EFFICIENCY LEVELS – Models available that conform to sub 0.5g/kg emissions and efficiencies of 65% or greater (without water booster). AS/NZS 4012:1999 and AS/NZS 4013:1999. Rural version is also available.

FLOOR PROTECTOR CLEARANCE –

Ash hearth made from non-combustible materials. Front 300 mm, side 77mm.

WALL CLEARANCES – WITH YUNCA ECO HALF SHIELD

From combustible surfaces: rear 75mm, side 220mm, and angled 50mm.

FIRE – Firebox fully lined with 40mm refractory firebricks.

Removable top plate to expose cook-top.

See inside back cover of this brochure for schematic diagrams of the OSCAR

 **YUNCA**
PART OF THE FAMILY



Hobson



The HOBSON Wood Burner is the pinnacle of classic country elegance combined with all the modern day functionality of today's technology.

Why is it so good?

HOBSON is a stylish wood burner in a unique design with a cooktop that adds functionality and authenticity to any character home. HOBSON rests easy on four legs to give it a slim line look that other models do not attain.

Who buys the Hobson?

Owners of new or classic villas, units and country homes appreciate HOBSON's natural good looks and genuine practicality. It can be used as both a primary and secondary heating source depending on climate, room size and insulation.

COLOUR OPTIONS

STANDARD COLOUR



HTP Black
– a High Temp Paint finish

OPTIONAL VITREOUS ENAMEL COLOUR



Gunmetal Black
– a vitreous enamel finish

Please note that colour range shown is limited by the printing process and are given as a guide only.



SPECIFICATIONS

HEAT OUTPUT –
Estimated 18kW maximum.

EMISSION AND EFFICIENCY LEVELS –
Models available that conform to sub 1.5g/kg and sub 1.0g/kg emissions and efficiencies 65% or greater (without water booster). AS/NZS 4012:1999 and AS/NZS 4013:1999. Rural version is also available.

FLOOR PROTECTOR CLEARANCE –
Ash hearth made from non-combustible materials. Front 300 mm, side 100mm.

WALL CLEARANCES – WITH YUNCA STD FLUE GUARD
From combustible surfaces: rear 150mm, side 330mm, and angled 90mm.

FIRE – 5mm plate-steel firebox, fully lined with 40mm refractory firebricks

OPTIONAL EXTRAS –
Stainless Water Booster
(Water Booster not suitable for Clean Air Zones). 

See inside back cover of this brochure for schematic diagrams of the HOBSON





Monte

The MONTE Wood Burner has a fresh, modern design combined with a convenient cook-top. There are 3 options in the MONTE range.

Why is it so good?

MONTE is a stylish modern fire incorporating a cook-top, which adds functionality to any home. The large glass area maximises the ambience only a solid-fuel fire can give, and the large door allows ease of refuelling.

Who buys the Monte?

Owners of contemporary to traditional homes appreciate the MONTE's sleek good looks, genuine practicality and Yunca reliability. It can be used as both a primary and secondary heating source depending on climate, room size and insulation. It is also great for keeping dinner warm on cold winter nights.

COLOUR OPTIONS

STANDARD COLOUR



HTP Black
– a High Temp Paint finish

OPTIONAL VITREOUS ENAMEL COLOURS



Gunmetal Black
– a vitreous enamel finish



Saffron



Arctic White



Chocolate



Silver Grey



Blue Grey



Canary



Sage



Wasabi

Please note that colour range shown is limited by the printing process and are given as a guide only.

SPECIFICATIONS

HEAT OUTPUT – Estimated 20kW maximum.

EMISSION AND EFFICIENCY LEVELS – Models available that conform to sub 1.0g/kg and sub 0.7g/kg emissions and efficiencies of 65% or greater (without water booster). Clean air sub 1.0g/kg 'WET' model with water booster also available. AS/NZS 4012:1999 and AS/NZS 4013:1999. Rural version is also available.

FLOOR PROTECTOR CLEARANCE –

Ash hearth made from non-combustible materials. Front 300 mm, side 125mm.

WALL CLEARANCES – WITH YUNCA STD FLUE GUARD – From combustible surfaces:

MONTE BASE: rear 200mm, side 450mm, and angled 280mm

MONTE EURO: rear 200mm, side 350mm, and angled 200mm

MONTE LEG: rear 200mm, side 435mm, and angled 245mm

FIRE – 8mm plate-steel cook-top. 5mm plate-steel firebox fully lined with 40mm refractory firebricks.

OPTIONAL EXTRAS – Stainless Water Booster (*Water Booster is only suitable for Clean Air Zones when the 'WET' model has been specified when ordering the fire.*)



See inside back cover of this brochure for schematic diagrams of the MONTE range



Monte Euro

A merging of styles to give a popular European look with convenient wood storage.



Monte Leg

A traditional styled fire with modern performance features and contemporary slim lines.



Monte Base

A robust base styling to go with the Monte's large glass area.

With ten changeable colour options, there is something for everyone in the MONTE range.





Wegj

The WEGJ Wood Burner has a conscience. It's environmentally-friendly both inside and outside your home.

Why is it so good?

WEGJ's economical running costs, large heat output and excellent clean air rating ensures WEGJ meets your family needs as well as those of the environment. The large window allows more radiant heat to circulate the room while enhancing the look and ambience of the fire. With its wider pull down door, WEGJ fits larger logs with ease and its timeless design ensures it will always look stylish and appropriate in your home.

Who buys the Wegj?

People who live in cooler climates and homes with large rooms or poor insulation appreciate the heat that the WEGJ provides. WEGJ is also a favourite with commercial businesses including boutique hotels, cafes and restaurants.

COLOUR OPTIONS

STANDARD COLOUR



Gunmetal Black
– a vitreous enamel finish

OPTIONAL VITREOUS ENAMEL COLOUR



Charcoal
– a vitreous enamel finish

Please note that colour range shown is limited by the printing process and are given as a guide only.

SPECIFICATIONS

HEAT OUTPUT – Estimated 22kW maximum.

EMISSION AND EFFICIENCY LEVELS –

Conforms to sub 1.0g/kg emissions and efficiencies 65% or greater (without water booster). AS/NZS 4012:1999 and AS/NZS 4013:1999. Rural version is also available

FLOOR PROTECTOR CLEARANCE –

Ash hearth made from non-combustible materials. Front 300 mm, side 100mm.

WALL CLEARANCES – WITH YUNCA STD FLUE GUARD

From combustible surfaces: rear 100mm, side 200mm, and angled 30mm.

– WITHOUT FLUE GUARD: rear 350mm, side 200mm, and angled 140mm.

FIRE – 5mm plate-steel firebox, fully lined with 40mm refractory firebricks.

DOOR – Wide opening pull-down door.

OPTIONAL EXTRAS – Stainless Water Booster 
(Water Booster not suitable for Clean Air Zones).

See inside back cover of this brochure for schematic diagrams of the WEGJ





Shown above with ZC fascia fitted

Xander

The XANDER Insert Wood Burner suits both modern new builds and retrofitting into existing homes. Suitable for Masonry installations as standard, or as a Built-in "ZC" unit when installed with the optional "Zero Clearance Kit".

Standard Colour



HTP Black
– a High Temp Paint finish

Who buys the Xander?

People wanting a good looking insert fire for a new timber wall construction or those wanting to retrofit into an existing masonry installation will both benefit from the XANDER. It has a thermostatically controlled fan with the option for full speed, half or off. This unit provides excellent primary or secondary heating depending on room size, insulation and climate.

SPECIFICATIONS

HEAT OUTPUT – Estimated 18kW maximum.

EMISSION AND EFFICIENCY LEVELS – Conforms to sub 1.0g/kg emissions and efficiencies of 65% or greater. AS/NZS 4012:1999 and AS/NZS 4013:1999. Rural version is also available.

FLOOR PROTECTOR CLEARANCE – 500mm* extension into room for Zero Clearance installation. 350mm* extension into room for Masonry installation.

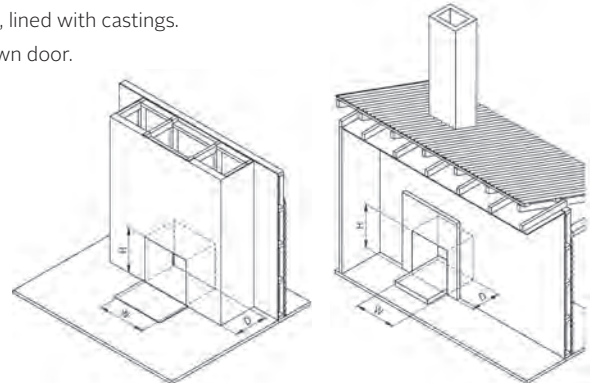
* Can be reduced by elevating the unit (refer to installation instructions for details).

FIRE – 5mm plate-steel firebox, lined with castings.

DOOR – Wide opening pull-down door.

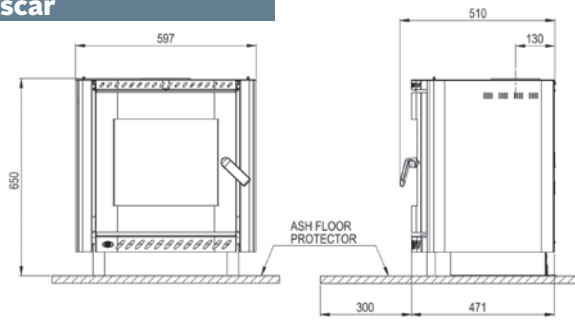
Cavity Dimensions

MODEL	Minimum dimensions (mm)		
	Width (W)	Height (H)	Depth (D)
Insert Masonry	680	600	530
Insert Timber	790	731	555

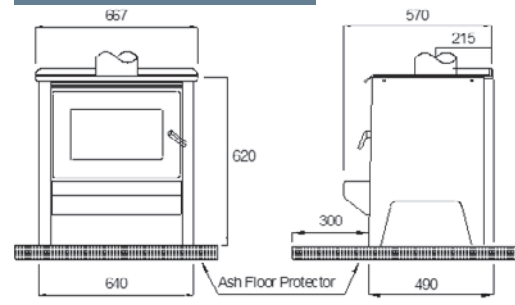


Wood Burner Schematics

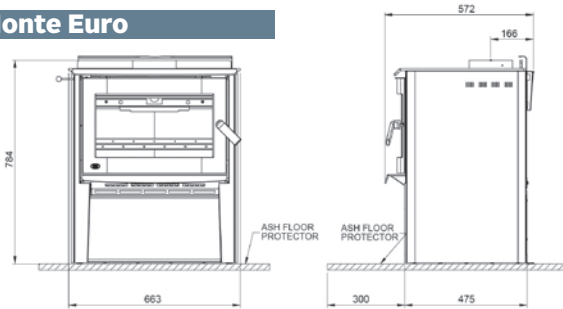
Oscar



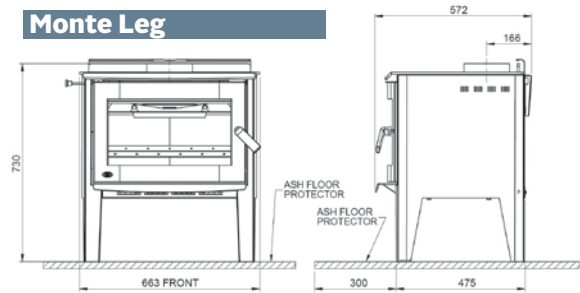
Hobson



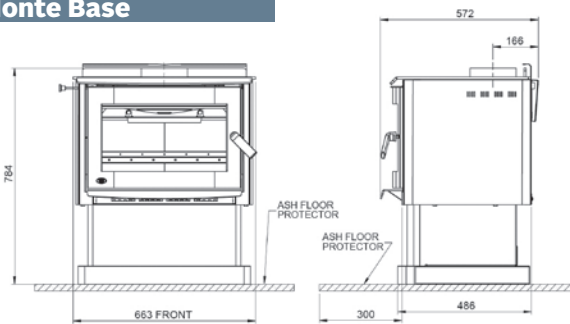
Monte Euro



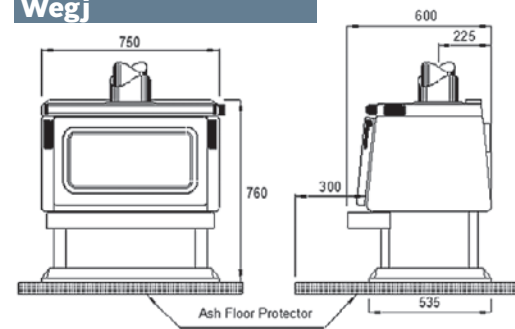
Monte Leg



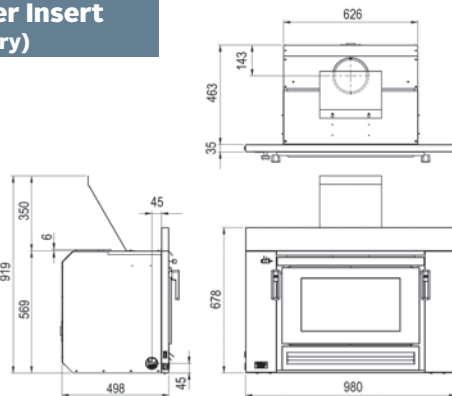
Monte Base



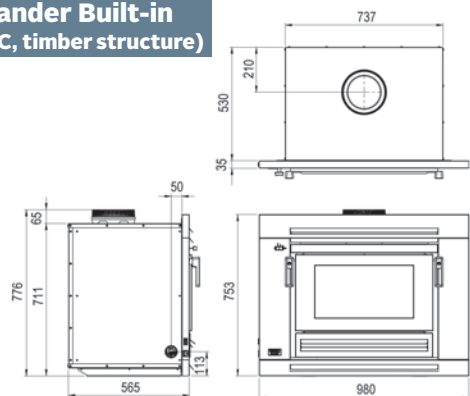
Wegj



Xander Insert (Masonry)



Xander Built-in (ZC, timber structure)



Wall Clearances & Floor Protection Measurements

MINIMUM FIRE TO COMBUSTIBLE WALL CLEARANCES WITH YUNCA FLUE GUARD FITTED (measurements in millimetres)

MODEL	A	B	E	F	G	H
*OSCAR	75	220	50	205	518	343
*HOBSON	150	330	90	365	650	468
*MONTE EURO	200	350	200	366	682	520
*MONTE LEG	200	435	245	366	767	565
*MONTE BASE	200	450	280	366	782	600
*WEGJ	100	200	30	325	575	454

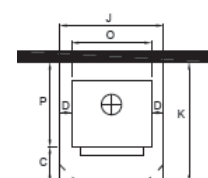
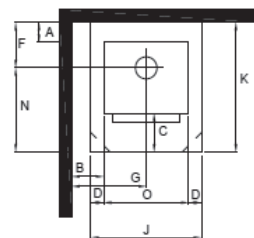
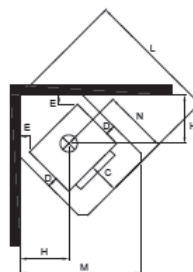
MINIMUM FLOOR PROTECTION MEASUREMENTS (measurements in millimetres)

MODEL	C	D	J	K	L	M	N	O	P
OSCAR	300	77	750	849	1129	1022	644	597	549
HOBSON	300	100	840	940	1237	1160	575	640	640
MONTE EURO	300	125	913	999	1368	1278	633	663	699
MONTE LEG	300	125	913	999	1431	1253	633	663	699
MONTE BASE	300	125	913	999	1481	1288	633	663	699
WEGJ	300	100	950	935	1247	1147	610	750	635

*TESTED TO AS/NZS 2918:2001



All Yunca solid fuel fireplaces where installed on combustible surfaces, require Ash Floor Protectors as per AS/NZS 2918:2001





WARRANTY

Yunca, a 100% New Zealand-owned family business, has a comprehensive research and development programme.

All critical components and air flow controls have been rigorously tested for safety and peak efficiency.

Yunca Heating guarantee each new firebox, to the original purchaser, will be free from defects both in material and workmanship for a period of 10 years (120 months) from the date of purchase for wood burners. All consumables (e.g. seals) and replaceable parts (e.g. grates, gas and electrical components) are warranted for a period of 12 months from the date of purchase. Please refer to the operating and warranty instructions for full details.

YUNCA HEATING

The Yunca Group is wholly New Zealand owned and is based in Invercargill. Established in 1977 by Terry Young under the philosophy "Quality First", the Group has continued to expand.

The design, manufacture and distribution of a range of domestic solid fuel heating appliances have been core activities for over 40 years.

COOK-TOP

With the exception of the Wegj wood burner, the top is designed to allow you to either cook or keep food warm. (Cooking directly on any enamel grill top may damage the surface.) The painted grill top on the Oscar may be removed for direct access to a cook-top surface.

All cook-top surfaces should be treated with a stove blackening (or high temp paint) from time to time to keep it looking good.

PANEL FINISH

Yunca uses a vitreous enamel finish for panel colours – with some exceptions. The enamel finish is able to withstand extreme heat and will not deteriorate over time. Enamel panels may be easily cleaned by buffing with a soft cloth. A foamed or non-abrasive cleanser may be used for the stubborn soiling. Polish afterwards with a soft, dry cloth.

HTP models have a painted finish that may require periodic touch-ups with stove blackening (or high temp paint) to keep them looking good.

Some models (Monte and Oscar) that are sold with an enamel finish option come with only the side panels enamelled in the colour of choice. The door and hearth (ash lip) panel are painted, and therefore may need to be periodically touched up with stove blackening (or high temp paint) to maintain the desired finish in the same way as the cook-top is maintained.

Available from:



www.yunca.co.nz