

# HEAT-FAN-LIGHT SYSTEMS

These multi-function Heat-Fan-Light systems are designed to meet the higher operational demands of both small and large bathrooms. Fans incorporate a unique anti-condensate design and efficient LED centre lamps. All systems are supplied with duct, grille and wall switch. 5 year warranty.

Designer SATIN Low Profile	Duct (mm)	Fan Type	Max. Fan Watts (W)	Free Air Fan Performance		Heat Lamps	Fascia	Order Code
				(l/s)	(m <sup>3</sup> /hr)			
	125	Centrifugal	1138	84	303	4 x 275W	White	FAN6882
							Silver	FAN6883
	125	Centrifugal	588	75	270	2 x 275W	White	FAN6880
							Silver	FAN6881
Pro-Series Low Profile	Duct (mm)	Fan Type	Max. Fan Watts (W)	Free Air Fan Performance		Heat Lamps	Fascia	Order Code
				(l/s)	(m <sup>3</sup> /hr)			
	125	Centrifugal	1180	60	216	4 x 275W	White	FAN0995
	125	Centrifugal	635	50	180	2 x 275W	White	FAN0940
Classic Standard Profile	Duct (mm)	Fan Type	Max. Fan Watts (W)	Free Air Fan Performance		Heat Lamps	Fascia	Order Code
				(l/s)	(m <sup>3</sup> /hr)			
	100	Centrifugal	670	35	126	2 x 275W	White	FAN2162

**Note:** Installed system performance is always influenced by duct length and layout

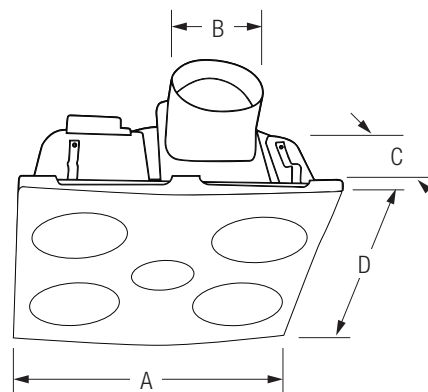
## Replacement Lamps

Description	Chrome
275W Heat Lamp	LHT0081
LED Replacement Lamp for SATIN Units	LHT1107
LED Replacement Lamp for Pro-Series and Classic Units	LHT0211

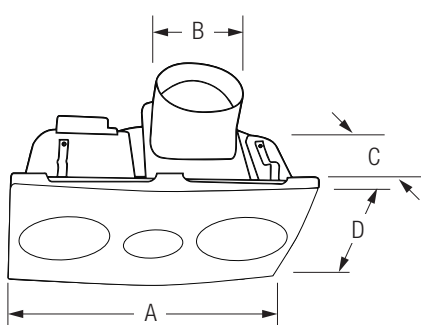
# HEAT-FAN-LIGHT SYSTEMS

## Dimensions (mm)

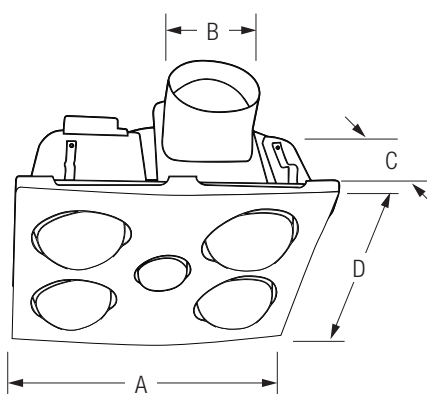
Model	Cut-Out Size	A	B	C	D
FAN6882 FAN6883	320 x 320	370	125	210	370
FAN6880 FAN6881	375 x 202	419	125	198	244
FAN0995	300 x 300	338	120	170	338
FAN0940	390 x 220	435	120	185	260
FAN2162	390 x 220	450	100	195	250



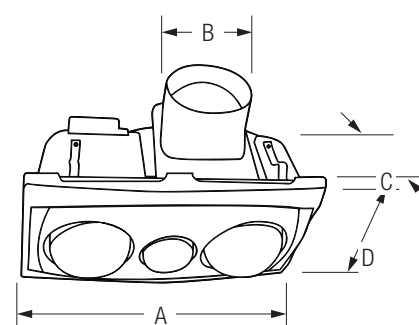
FAN6882 FAN6883



FAN6880 FAN6881



FAN0995



FAN0940 FAN2162

## Technical

Model	FAN6882 FAN6883	FAN6880 FAN6881	FAN0995	FAN0940	FAN2162
Supply	220-240V AC, 50Hz				
Light	LED 4000K	LED 4000K	LED 3000K	LED 3000K	LED 3000K
Light Wattage	10W	10W	4.5W	4.5W	8W
Switch Plate	4-Way (supplied)	3-Way (supplied)	4-Way (supplied)	3-Way (supplied)	3-Way (supplied)
Max. Operating Temp	40°C	40°C	40°C	40°C	40°C
IP Rating	IPX4	IPX4	IPX4	IPX4	IPX4
Exterior Grille	125mm Fixed Louvre	125mm Fixed Louvre	125mm Eggcrate	125mm Eggcrate	100mm Eggcrate
Duct	3m x 125mm	3m x 125mm	3m x 125mm	3m x 125mm	3m x 100mm

Manrose Heat-Fan-Light systems have been tested to the downlight standard AS/NZS60598.2.2 Amendment A and are all classified as CA135.

