

MANROSE®

BATHROOM HEATER WITH EXTRACTION FAN AND LED LIGHTS FAN5876

Dear Customer,

Thank you for selecting our MANROSE Bathroom Heater-Fan-Light unit. Please read all instructions before commencing installation.

IMPORTANT: This unit must be installed to comply with the appropriate council regulations and the Australia and New Zealand wiring rules AS/NZS3000:2000 or latest edition thereof.

The mains supply and interconnecting cables required for installation of this unit are not included.

WARNING - ALL WIRING MUST BE CARRIED OUT BY A REGISTERED ELECTRICIAN

1. Use this bathroom heater-fan-light unit only as described in this manual. Any other use not recommended by the manufacturer may cause fire, electric shock, or injury to persons. If you have questions, contact the manufacturer or local agent.
2. All wiring must be carried out by a licensed electrician in accordance with all national wiring codes.
3. Make sure the power is isolated before installing.
4. The bathroom heater-fan-light unit must be properly earthed.
5. The heater's glass shield is hot when in use. Do not touch the heat lamp or glass shield when in use.
6. For the purpose of avoiding any dangerous gas leaking into your bathroom, the ducting of the bathroom heater-fan-light unit must not be shared with the ducting of air-fueled water heater or other open-fire appliances in the same flue.
7. The bathroom heater-fan-light unit must be isolated from the power by means of a plug or a switch capable of disconnecting all poles with a contact separation of at least 3mm in each pole.
8. The power cable must be rated for a minimum 10A inductive load.
9. The appliance is not intended for use by persons (including children) with reduced physical, sensory or mental capabilities, or lack of experience and knowledge, unless they have been given supervision or instruction concerning use of the appliance by a person responsible for their safety.
10. Children should be supervised to ensure that they do not play with the appliance.
11. The bathroom heater-fan-light unit is to be installed so that switches and other controls cannot be touched by a person in the bath or shower.
12. The appliance shall, under no circumstances, be covered with insulating material or similar material.
13. Regulations concerning the discharge of air have to be fulfilled.
14. Joists, beams and rafters shall not be cut or notched to install the appliance.

IMPORTANT CONSIDERATIONS BEFORE INSTALLING

A few minutes of planning can make a big difference to the installation time and ultimate satisfaction with the functioning of the unit.

1. The unit should not be installed directly above a shower or bathtub. The unit must not be installed in a position where water may splash onto the unit.
2. The unit must not be installed beneath a fixed electrical socket.
3. The unit is designed for installation in flat ceilings only. Do not mount it on a sloping ceiling or a vertical wall.
4. The bathroom heater-fan-light is most effective when you are standing directly beneath it, so generally the unit would be mounted above a place where you would stand to dry yourself.
5. For the exhaust fan to work efficiently, replacement air of a volume equivalent to what is being extracted must be able to enter the room. Generally this air would be drawn under the door. If the room is airtight, the fan will not exhaust air efficiently.
6. Before commencing any cutting, check in the ceiling space that there are no obstructions such as ceiling joists and that there is sufficient height clearance for the housing. Check that the electrical wiring can be routed from the wall switches to the mounting location.

INSTALLATION

1. Locating the bathroom heater-fan-light unit

For the purpose of obtaining the best heating effect from the lamps there should be at least 2.1m overall height from unit to ground.

2. Prepare the ceiling

Select the mounting position for the unit. Check that it is possible to route the ducting from the unit to the outside of the house. This will generally be to the soffit but can be to a wall outlet location (as pictured).

Use this hole-cutting template to mark the hole on the ceiling. Make sure a distance between the edges of the unit and wall is no less than 250mm. There should be a minimum 220mm vertical distance between the ceiling and roof.

3. External Grille

Locate the position for the external grille and cut a 155mm diameter hole. Connect one end of the 150mm diameter duct to the spigot of the external grille. A 150mm diameter eggcrate grille is included in the kit to be used when installing into the soffit. If installed in the wall, a weatherproof cowl should be used. Seal the grille, or cowl, with suitable sealant.

Note: Since the length of each duct is 3.0m, make sure the centre of the installation hole is no more than 3.0m from the vent.

Note: In order to get an effective ventilation, it is suggested that the duct is no more than 3.0m in length.

4. Remove the fascia

- Remove 4 silicon clips at 2 ends of the rectangle air inlet grilles.
- Remove the screws hidden inside. Remove the fascia.

Note: Be careful while removing the screws so that the fascia does not drop to the ground.

5. Remove the lamps

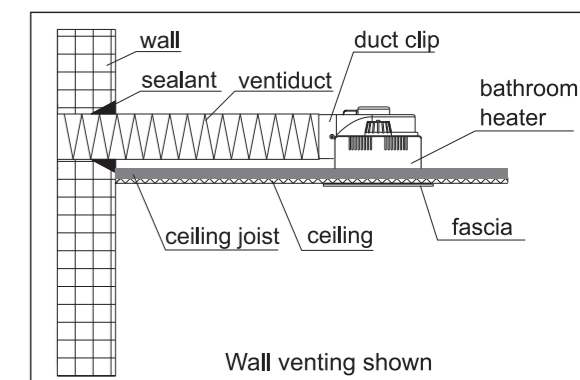
- Remove the 4 LED lamps from the heater unit.
- Remove the halogen heat lamp from the heater unit and keep it in a safe place. Do not touch this lamp with your bare skin.

Natural skin oils and salts damage new halogen lamps and shorten their life. Only handle a new heat lamp with soft, dry, clean, lint-free cloth or paper. You can wear gloves, cover your fingers or wrap the heat lamp until it is installed (so long as you remove all cloth or paper when finished).

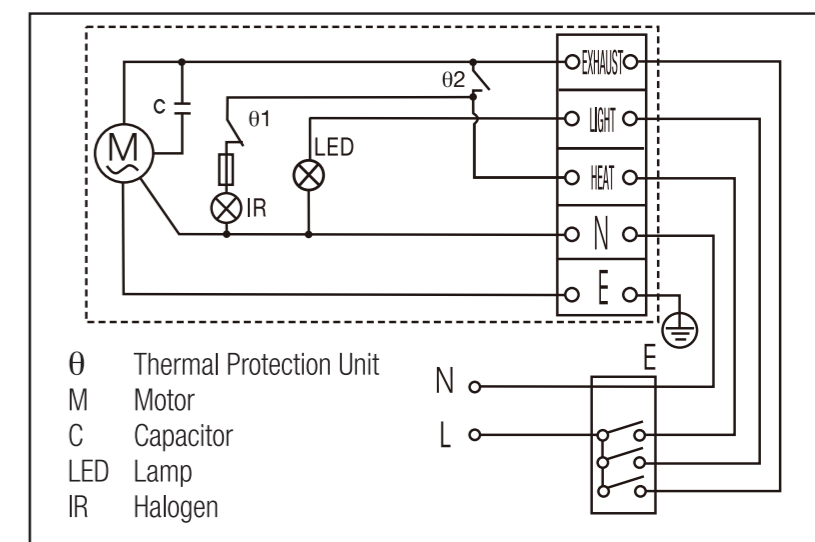
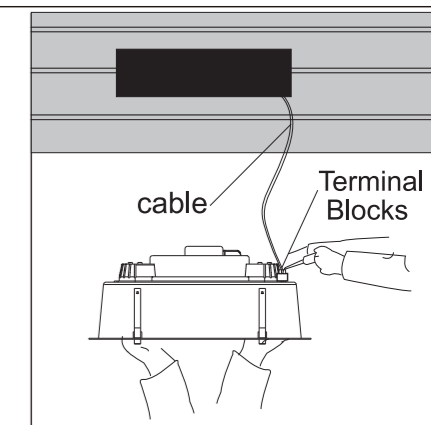
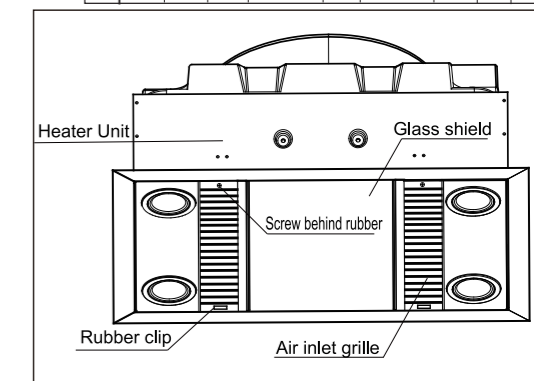
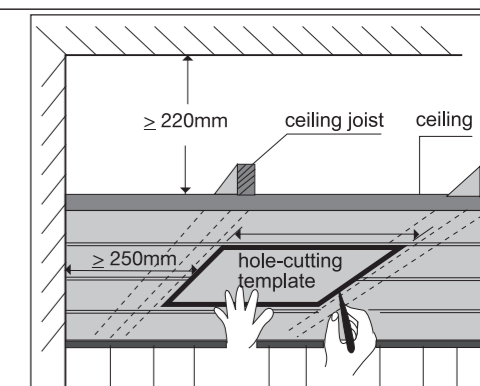
6. Wiring

- Connect one end of the interconnecting wire to the wall switch panel, and bring the other end out of the hole in the ceiling.
- Remove the terminal block cover on the unit's housing, make the connection as per the wiring diagram instruction below, then replace the terminal block cover. Press excess wire back into the ceiling.

Note: Ensure that the power is isolated before carrying out any work on electrical installations.



Wall venting shown



INSTALLATION INSTRUCTIONS AND HOLE-CUTTING TEMPLATE

7. Fit the in-house end of the duct to the fan outlet and fix the end with duct clip.

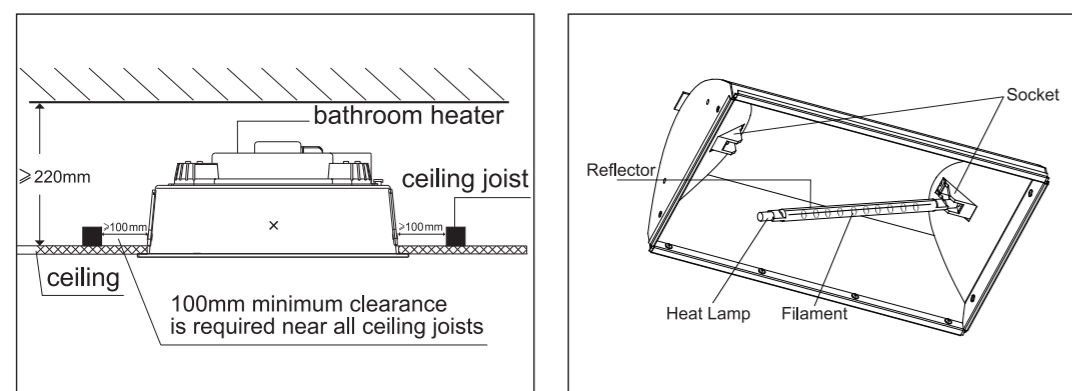
A backdraft stopper is included in the package, fit the stopper to the fan outlet and fix it with one duct clip. Fit the in-house end of the duct to the stopper, and fix the end with another duct clip.

Note: Keep the route as straight as possible.

8. Position the housing into the hole

Choose an optimal direction to put the housing into the hole in accordance with the position of fan outlet. Use screws to fix the unit onto supports (not supplied). Ensure that the unit is held securely on all 4 sides. You may have to add supports on 2 sides in between joists or even build a frame to secure it properly into the ceiling with supports.

Note: Try to keep the excess wire away from the housing.



9. Final Installation

- Install the heat lamp.
- Fit one end of the heat lamp into socket and gently push it away from the other socket. When there is enough room, fit the other end of the heat lamp into its socket (The heat lamp is half coated with a white reflector. When you grasp the heat lamp with cloth or paper, face the back of the reflector to the ceiling so you can see the heat lamp's filament. Not doing this will reduce performance)
- Reinsert the LED lamps.
- Check the glass shield to make sure that it is not damaged and is well fixed on the fascia by the screws (a little movement of the glass won't cause any problem to the use)
- Replace the fascia with screws. Use 4 silicon clips to cover the screws.
- Fix the switch panel to the wall.

Note: The switch wiring should be mounted inside the wall to give the switch an integrated built in appearance. If it is necessary to run the wiring on the outside of the wall, use a suitable conduit and fixings to properly located and hold the wiring used.

USE

Our bathroom heater-fan-light unit uses the halogen heat lamp as a source of heat. It also combines the functions of exhaust and light.

1. Heat

'HEAT' switch On/Off

Note: Do not touch the heat lamp grill with any part of your body when in use.

2. Exhaust

'FAN' switch On/Off

This unit can exhaust odours and steam in a quick and efficient way by turning on the "FAN" button.

3. Lighting

'Light' switch On/Off

Note: Do not switch on/off frequently when in use. Shut off the power if in long periods of inactivity.

MAINTENANCE

1. Clean

- 1) Shut off the power before cleaning.
- 2) Wipe glass shield and fascia with care using a soft cloth soaked with a neutral detergent. Regularly check that the glass shield is not loose in the slots

Note: Ensure the lamps are cool enough to touch before handling.

2. Lamp Replacement

- 1) Shut off the power before replacement.
- 2) Use ONLY Manrose 4W GU10 LED lamp for lighting - LHT0211
- 3) Use ONLY 1000W halogen heat lamp for heating - LHT0326.

Note: Only use Manrose replacement bulbs as listed. Using other bulbs may damage the unit.

WARRANTY - 5 YEARS / HALOGEN LAMP - 1 YEAR

The main unit and fan motor is warranted against factory fault for a period of 5 years and the original supplied MANROSE LED lamps for a period of 1 year. Labour costs are not covered. Please keep and bring the original invoice to your place of purchase for warranty services.

This warranty does not cover damage or loss caused by:

- 1 LED lamp or failure of LED lamp.
- 1 Halogen heat lamp or failure of halogen heat lamp.
- 2 Any consequential losses arising from incorrect installation or operation or maintenance of this product.
- 3 Any consequential losses arising from incorrect wiring of this product.
- 4 Any consequential losses arising from repairing of any part of this product by unauthorised persons.

MAIN TECHNICAL PARAMETERS

Model Number	FAN5876
Rated Voltage	220V-240V AC
Rated Frequency	50Hz
Rated Power	990W-1080W

LIST OF ACCESSORIES

Operation Unit	1 piece
1000W Halogen Heat Lamp (LHT0326)	1 piece
Manrose 4W GU-10 LED Lamp (LHT0211)	4 pieces
Installation instruction & hole-cutting template	1 piece
Warranty card	1 piece
Ducting kit	1 set
Backraft stopper	1 set
Duct Clip	3 pieces
Switch	1 piece

Fill out the following details and file with the purchase invoice for warranty service.

MODEL NO. FAN5876

Purchased from: _____

Date of purchase: _____

Note: Instructions and specifications are subject to change without notice.