

# Manrose Classic HL2 Heat-Light (FAN2200)

For a complete bathroom HEAT-FAN-LIGHT solution, add a Manrose extraction fan  
(FAN2051 150mm fan kit recommended)

Installation Instructions and Hole-cutting Template: 390mm x 220mm (Note: Please read these instructions thoroughly before commencing installation).

## FEATURES

The Manrose Classic HL2 can be mounted within flat or low-pitched roofs and between floors when necessary.

**Heat Lamps:** The Manrose Classic HL2 Heat-Light hard-glass infra-red heat lamps are designed to provide instant heat when you stand directly underneath the lamps, heating you and not relying on having to heat the surrounding air. As such, they need only to be turned on when you are in the room. As a very important safety feature, every one of the lamps has been pre-tested. Each individual lamp has been heated to its maximum operating temperature and then sprayed with ice-water to ensure that there are no flaws in the construction. Replacement heat lamps can be ordered on code **LHT0081**.

## IMPORTANT CONSIDERATIONS BEFORE INSTALLING

**Locating the Manrose Classic HL2 Heat-Light:** A few minutes planning can make a vast difference to the installation time and also to your satisfaction with the functioning of your Manrose Classic HL2 Heat-Light. The unit should be fitted close to the area where the steam and condensation is generated but must not be mounted directly above a shower or bath. Care must be taken to comply with the relevant electrical wiring standards and the requirements for damp areas (NZ ECP2 or NZS3000 1997). The Infra-red heat lamps are most effective when you are standing directly beneath them, so generally the unit would be mounted outside the shower cubicle where you would stand to dry yourself. Do not mount the unit on a sloping ceiling.

## CAUTION!

- Do not install the unit within proximity to curtains or other combustible materials.
- The unit must not be located immediately below a socket outlet.
- The unit must not be, under any circumstances, covered with insulating material or other similar material.
- Joist, beams, rafters or other supporting structures shall not be cut or trimmed in order to install the unit.
- The unit must be installed in such a location so that switches and other controls can not be touched by a person in the bath or shower.

**INSTALLATION (Note: All wiring must be carried out by a registered electrical contractor. A means for disconnection from the supply must be incorporated in the fixed wiring in accordance with the wiring and regulations).**

1) Select the mounting position for the unit. Before commencing any cutting check in the ceiling space that there are no obstructions such as ceiling joists and that there is sufficient height clearance for the housing. From the underside of the ceiling there should be a minimum of 240mm overall height to the underside of any ceiling materials (50mm clearance above the housing is allowed for in this measurement to provide air circulation around the housing). Check that the electrical wiring can be routed from the wall switches to the mounting location. Install the wiring and switches per the wiring diagram. There are two separate controls – light and heat lamps.

2) Use this template to mark the hole outline on the ceiling.

3) Remove all lamps from the unit. Unclip the two internal fascia-retaining springs inside the housing. Remove the fascia. It is possible and preferable to make the ducting and electrical connections prior to positioning the housing in the hole. When positioning the housing into the hole, pull the two spring retaining clips into the housing before inserting, to avoid damaging the plaster-board. The clips are designed to retain the housing in standard 9-13mm ceiling linings. For thicker material it may be necessary to use the screw-mounting option to fasten the housing. Replace the fascia and retaining springs, re-insert the lamps. Ensure the lamps are tightened sufficiently to make good electrical contact.

**DO NOT FORCE OR OVER-TIGHTEN.** If replacing, use only 275W hard-glass lamps. The LED light lamp should be 10W max.

**N.B: Replacement with lamps other than those specified may result in damage to plastic components. In this case the damage shall not be covered by the product warranty**

4) Test all functions.

### ELECTRICAL WIRING

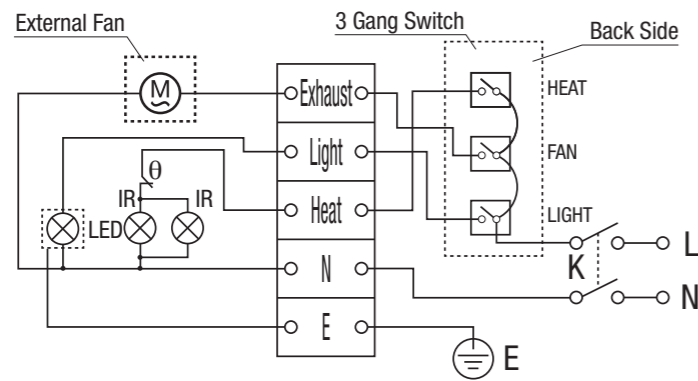
**Note;** The requirements for mounting in damp areas as detailed in AS/NZS Electrical Safety Standard

**Note;** The supply connection should be made using cable with an installation temperature rating of 115° or higher.

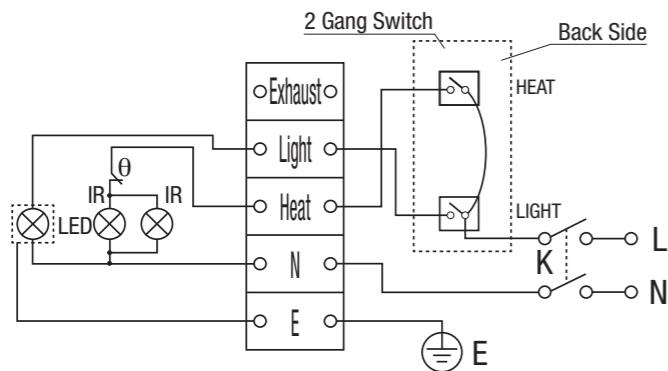
The Manrose Classic HL2 Heat-Light requires a 230/240 volt, 50Hz supply.

**All electrical work must be carried out by a registered electrical contractor.**

#### FAN2200 with additional extraction fan



#### FAN2200 without additional extraction fan



### WARRANTY

This product is warranted against failure for a period of five years (excluding LED light lamp and infrared heat lamps). Either parts or the complete product may be replaced at the sole discretion of Simx Ltd. The infrared heat lamps are warranted for a period of two years against electrical failure (accidental breakage excluded). The LED light lamp is warranted for a period of 1 year. from these warranties. No liability is accepted for any consequential losses arising from misuse or incorrect installation or operation of this product. The product must be installed according to the installation instructions. The product must not be altered or modified in any way. Proof of purchase date must be provided for any claim to be recognised. The benefits conferred by this warranty are in addition to any other rights or remedies available under the Consumer Guarantees Act or Fair Trading Act.

### CAUTIONS

Ceiling insulation **MUST BE KEPT WELL CLEAR** of the housing (at least 100mm) to allow adequate air circulation. **ENSURE THE HOUSING IS NOT COVERED AND THAT ANY VENT HOLES ARE UNOBSTRUCTED.** The heat lamps are designed for intermittent operation and should not be left on for extended periods. Ensure the unit is switched off before changing any lamps or carrying out any maintenance. Ensure the lamps have cooled before handling. Ensure that the grille openings do not become blocked with dust or dirt. The appliance is not intended for use by young children or infirm persons without supervision. The switch provided must be incorporated in the fixed wiring in accordance with the wiring rules in order to provide a means of disconnection from the supply.

Manrose Classic HL2 Heat-Light is distributed by **Simx Ltd.**

1 Haliday Place, East Tamaki, Auckland; PO Box 14347, Panmure, Auckland, New Zealand

Customer Support: Ph: +64 9 259 1660

### CLEANING

The unit can be periodically cleaned as required. A damp cloth can be used for this purpose. Ensure the heat lamps and LED light lamp are not operating and the heat lamps are not hot. Gently unscrew the heat lamps to remove them if required and then clean only the front surface of the fascia. There is no need to remove the fascia of the unit from the rest of the body. This final operation should only be done by an electrician.