



...your Healthy Home Solutions

Installation Instructions for the HHS In-Line Fan Kit FAN0792

Please read instructions before commencing installation

1. Cut a 155mm hole in the ceiling directly over the shower head ensuring first that the area above is free from obstruction and between two joists.
2. Carefully remove the grille insert from its housing by levering gently at the sides with a small screwdriver. Push the grille housing into the hole in the ceiling and make sure it is square to the walls and then mark the position of the fixing holes on the ceiling. Drill and plug the holes and screw the grille to the ceiling then refit the grille to the chassis fitted to the ceiling.
3. Select a suitable place for the Fan to be screwed to a joist and secure using two screws through the fixing bracket.
4. Select a suitable position either in the soffit or on an outside wall and cut a 155mm hole. Attach one end of the flexible duct to the grille with the duct tape provided and from the outside feed the ducting through the hole until the grille is flush with the soffit/wall. Secure the grille to the wall as before.
NB: It is best not to cut the flexible ducting until the grille has been screwed to the outside surface to avoid the possibility of cutting the duct too short.
5. Pull the flexible ducting gently to the discharge spigot of the fan and cut it to length and connect to the fan with the duct tape provided.
NB: The discharge end of the Fan Unit is the end where you can see the fan blade clearly. There is also an arrow on the unit showing airflow direction.
6. Connect the other piece of duct to the ceiling grille and onto the fan as before using the duct tape provided.
NB: Make sure wherever possible to keep the ducting running in a straight line as this will improve the performance of the fan.
7. Remove the cover on the Fan Bracket and make the electrical connection as follows:

Wiring of HHS In-Line Fan Kit.

The fan can be connected to the light switch so that the fan will start when the light is switched on. The fan should not be accessible to a person using either the shower or the bath.

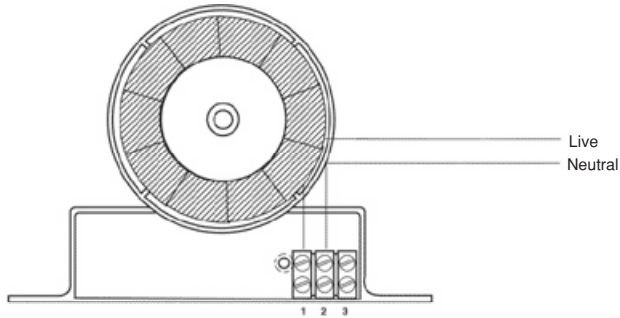
Note: All wiring must be fixed securely and the cable to the fan should be a minimum of 1mm² in section. All wiring must comply with current Regulations. Please note: This unit should be installed by a qualified electrician.



HHS ...your Healthy Home Solutions
Auckland/Christchurch New Zealand Fax: (09) 259 1661

PUB0155 iss:01

05/03



DETAILED VIEW

- 1 LIVE
- 2 NEUTRAL
- 3 SPARE

IMPORTANT:

**Switch off mains supply before making any electrical connections.
If in any doubt contact a qualified electrician.**

NOTE:

This unit is double insulated and therefore does not require an earth. Try to keep the ducting as straight as possible and wherever possible keep the distance between the ceiling grille and the external soffit or wall as short as possible as the shorter the length of ducting the better the performance of the fan.

SPECIFICATION:

Rated	220-240V ~50Hz 25W IP24
Airflow (free air)	230m ³ /hr, 64l/sec
Max Temperature	40°C
Sound Volume	40 dB(A)

Components Included:

- 1x Axial Flow 150mm Diameter In-Line Fan
- 3x Metres 150mm Flexible Ducting
- 2x Straight Louvre Grilles
- 5x Metres Duct Tape

IMPORTANT

The appliance is not intended for use by young children or infirm persons without supervision. Young children should be supervised to ensure that they do not play with the appliance.

Fan should be installed by fixed wiring only. A flexible cord should not be used. Switch off mains supply before making any electrical connections. If in any doubt contact a qualified electrician.

Precautions must be taken to avoid the back-flow of gases into the room from the open flue of gas or other open-fire appliances when mounted in outside windows or walls.

Flexible Ducting

