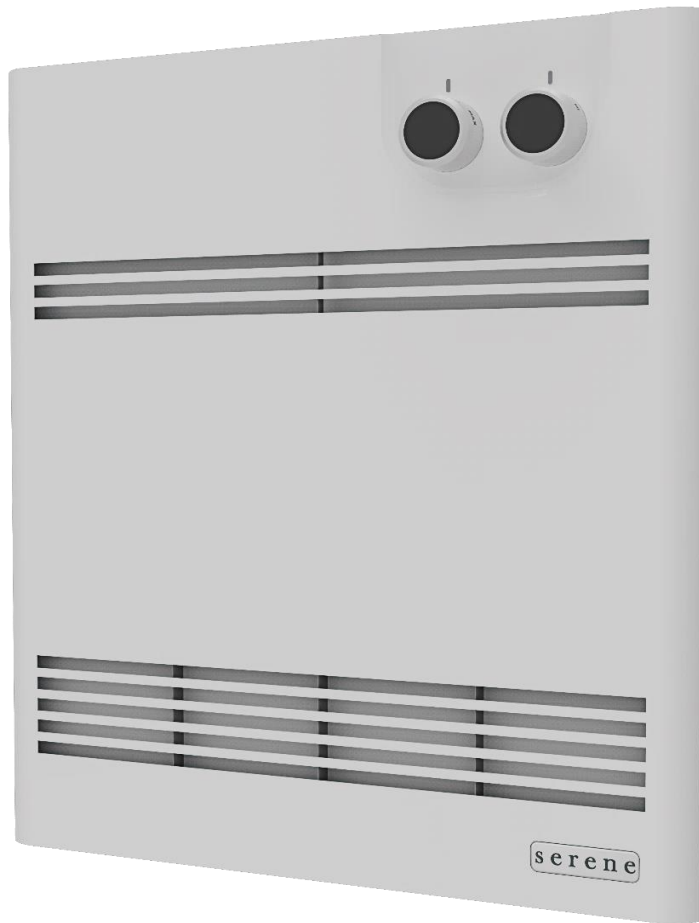


# Recessed Wall Mounted Fan Heater S2059



## Specification & Operating Instructions

# Introduction

Designed for easy installation, your Serene S2059 Recessed Wall Mounted Fan Heater is designed to fit easily into existing walls and is designed to fit most existing Skope cut-outs.

## Important Safety Information



- When using any electrical appliance, safety precautions should always be observed. Read these instructions carefully, and retain for future reference. For service, contact your nearest authorised service agent.
- Under no circumstances should an unauthorised person open the heater to adjust the thermostat.
- This appliance is not intended for use by persons (including children) with reduced physical, sensory or mental capabilities, or lack of experience and knowledge, unless they have been given supervision or instruction concerning use of the appliance by a person responsible for their safety.
- Children should be supervised to ensure that they do not play with the appliance. Do NOT use this appliance other than for its intended use.
- Use this appliance only with the voltage specified on the rating label.
- Be very careful not to touch hot surfaces or moving parts.
- Do NOT cover the grilles or place any object or material up against the unit as this may block the entry or exhaust of airflow.
- Do NOT probe any opening to remove fluff. To ensure trouble-free performance, it is recommended that the unit be isolated from the power supply and a vacuum cleaner used to remove dust and fluff from the inlet and outlet grilles on a regular basis.
- If Hard Wiring Installation, this must be performed by a licensed electrician. Regulations require that electrical work be carried out only by properly qualified person. For your own safety and that of others, ensure this is done.
- Do NOT allow any supply cord to come into contact with heated surfaces during operation.
- If the supply cord becomes damaged, it must be replaced by a qualified Electrician in order to avoid a hazard.

## Distances:

This heater is NOT designed to be mounted high.

The heater must be mounted minimum distances of 200mm from floor level and 300 mm from any adjacent wall.

## Installation:

This appliance MUST be installed in accordance with relevant wiring rules and regulations which cover installation of appliances and accessories in damp situations, such as bathrooms, showers, laundries and other areas, fixed water containers.

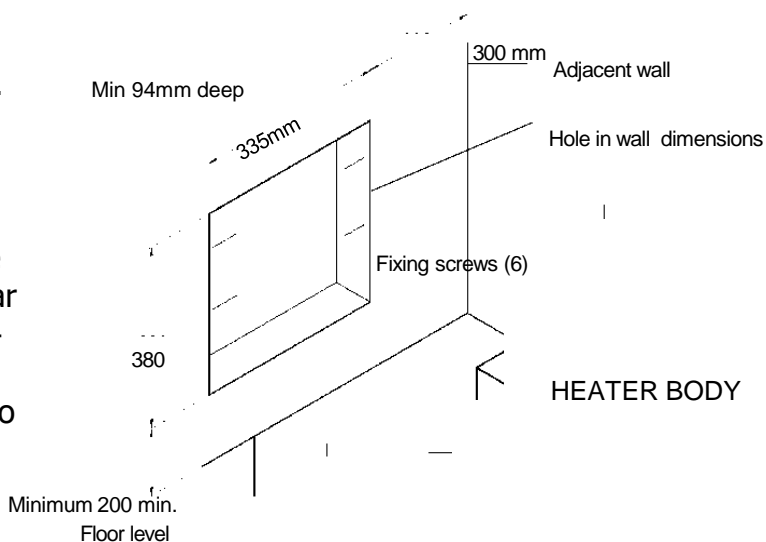
For additional protection, it is strongly recommended that the use of a residual current device (RCD) with a tripping current not exceeding 30mA be used on the circuit supplying this product.

The S2059 recessed model wall fan heaters are designed to be permanently wired and recessed into the wall.

## To install the heater, follow the instructions below:

- Cut a hole in the wall. (fig 1) The positioning and hole dimensions are shown in the installation diagram. The minimum required height from the floor to the base of the heater and the distance from any adjacent wall is 300mm. The hole must be between wall studs.

**Fig 1**



- It is recommended to line top and bottom of the hole with Gibraltar board or hardboard for the best result. If the cut-out is not to the recommended size, the wall studs may need to be packed out with timber to provide firm fixing surfaces.

## Installation (cont):

- Remove the 4 screws from the front panel (per fig 2 below)  
This will allow the front panel to be pulled away from the body.
- Once the front panel is loose disconnect the 2 connectors as shown (per fig 3) below.  
The front panel is then totally disconnected from the body.

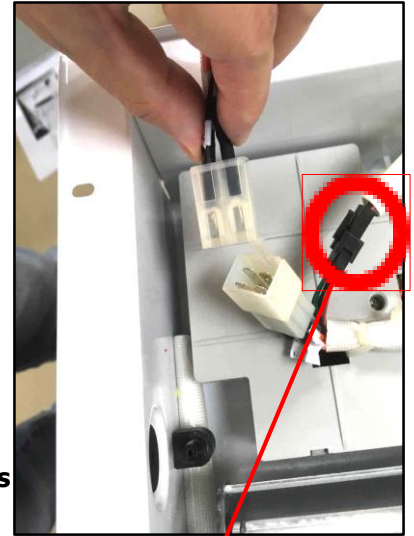
**Fig 2**



**Position of screws**

**Disconnect connectors**

**Fig 3**

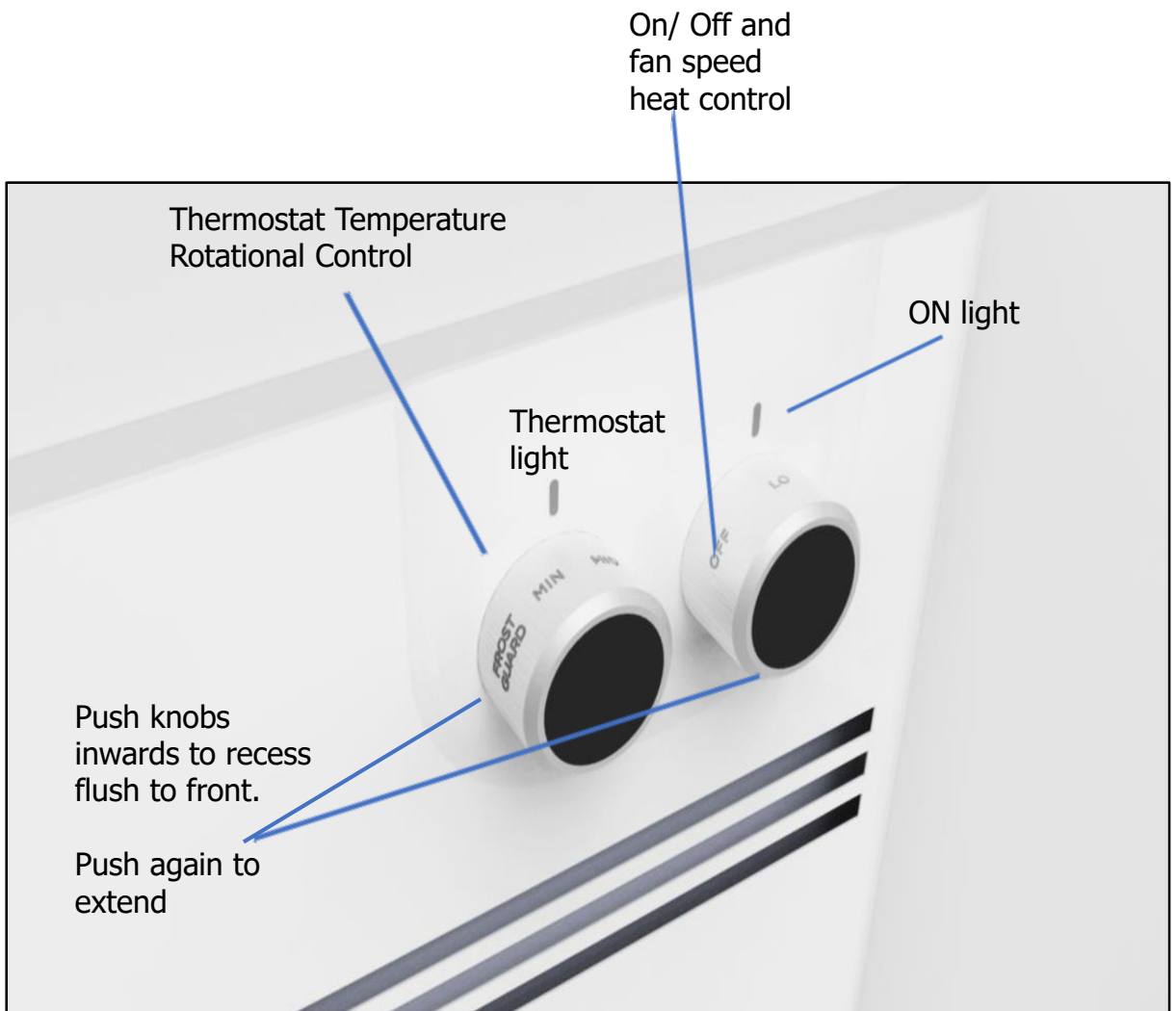


Connector 2

- Line top and bottom of the hole with Gibraltar board or hardboard.
- If the cutout is not to the recommended size, the wall studs may need packed out with timber to provide firm fixing surfaces Fit the heater body into the hole by screwing the 6 fixing screws into the sides of the hole (screws provided)
- Connect the mains cable as needed.
- Reconnect the 2 wiring connectors. Ensuring that they are properly in place.
- Replace the front panel into position and insert the 4 fixing screws in place ensuring that they are tightened.

**Important:** The heater must NOT be located immediately below a socket outlet or within reach of a bath or shower.

# Operation:



- The operation of the heater is controlled by the HI/ MED/LOW/OFF control knob.
- The adjustable thermostat knob is located on left of the heater.
- The blue LED indicators light when the heater is operating.
- The heat output is regulated by a built-in thermostat. The thermostat maintains the required ambient temperature by automatically turning the heat on and off as needed.  
Starting from the lowest position, turn the thermostat knob clockwise until you hear a 'click'. The heater will then start heating and the LED indicator will light up. The more the thermostat knob is turned clockwise, the higher the ambient temperature will be.
- If the ambient temperature is close to 35°C or more, the heater may not turn on even if the thermostat is set on maximum. Alternatively, if the ambient temperature is below 5°C, the heater may operate in 'frost guard' mode continuously even if the thermostat is set on minimum.

## Operation (cont):

### To set the thermostat:

- Turn the thermostat knob clockwise to maximum and wait until a comfortable ambient temperature is reached.
- Turn the thermostat knob anti-clockwise until you hear a 'click' and the heater turns off.
- Fine adjustments can then be made as needed.

### Safety Cutout:

Your Serene S2059 Wall Fan Heater is fitted with an auto-reset thermal cutout and a fusible link. Either of these devices will automatically switch off the elements and the motor, should the unit reach an abnormal temperature.

Should this occur, disconnect the heater from power supply, check for blockage of the air inlet and outlet, and use a vacuum cleaner to clean if necessary.

If the heater still fails to operate, contact your supplier after first checking that there is power to the unit and that the thermostat is not set to maximum or minimum..

## Specifications: Serene S2059:

### Electrical

<b>Supply</b>	230-240 volts A.C. 50 Hz
Wattage	2200-2400W, thermostatically controlled.
Wiring	Permanent connection. Earth required.
Ingress Protection Rating	IP20

### Dimensions

Height	435mm
Width Front panel	380mm
Width back	345mm
Depth main unit	88 mm
Depth front panel	28 mm - including knobs extended
Weight	4.8kg

Serene Industries Limited reserves the right to alter both design and specifications without notice. Serene offers a full replacement warranty. **We do NOT supply any spare parts** or include any service guarantee.

# Contact:

## HONG KONG

**Head Office** - Serene Industries Limited

t: +852 2325 3209

f: +852 2325 3166

e: [info@serene-ind.com](mailto:info@serene-ind.com)

w: [www.serene-ind.com](http://www.serene-ind.com)

Suite 1010, 10F, Block A, Alexander Industrial Building, 62 King Lam Street,  
Cheung Sha Wan, Kowloon Hong Kong SAR

## NEW ZEALAND

t: (+) 64 (3) 344 5550

f: 0800 437 264- Freefax

e: [nzenquiry@sereneind.com](mailto:nzenquiry@sereneind.com)

w: [www.serene-ind.com](http://www.serene-ind.com)

PO BOX 33501, Barrington, Christchurch 8024

## AUSTRALIA

e: [auenquiry@serene-ind.com](mailto:auenquiry@serene-ind.com)

w: [www.serene-ind.com](http://www.serene-ind.com)

## UNITED KINGDOM

t: +44 (0)1624 497794

e: [ukenquiry@serene-ind.com](mailto:ukenquiry@serene-ind.com)

w: [www.serene-ind.com](http://www.serene-ind.com)

Rowhead House, Far Common Road Mirfield, West Yorkshire WF140DQ