

Intex

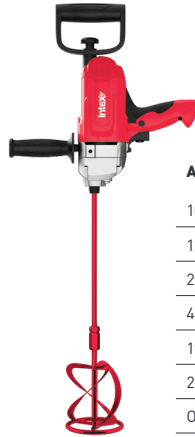
MegaMixer Industrial Power

AMX110 | AMX620
Operation Manual

WARNING: To reduce the risk of injury, user must read and understand operator's manual.

Technical Data - Intex MegaMixer®

| | |
|---------------------|--------------------------|
| Code | AMX110 |
| Power Input | 1050W |
| Voltage | 240V/50Hz |
| Number of Gears | 1 |
| No-Load-Speed | 0 - 580min-1 |
| Class of Protection | Double Insulation |
| Certification | CE, GS |
| Mixing Rod Thread | M14 |
| Mixing Rod (Ø Max.) | 120mm |

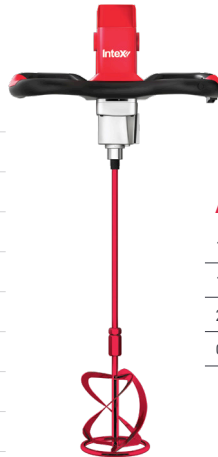


AMX110 CONTENTS

| |
|-----------------------------------|
| 1050W Power Mixer |
| 120mm Downward Mixer Rod (ARN120) |
| 2-Position Side Handle |
| 4-Position D-Handle |
| 19mm Spanner |
| 22mm Spanner |
| Operational Manual |

Technical Data - Intex MegaMixer®

| | |
|---------------------|-----------------------------|
| Code | AMX620 |
| Power Input | 1600W |
| Voltage | 240V/50Hz |
| Number of Gears | 2 |
| No-Load-Speed | 180-460/300-700min-1 |
| Class of Protection | Double Insulation |
| Certification | CE, GS |
| Mixing Rod Thread | M14 |
| Mixing Rod (Ø Max.) | 160mm |



AMX620 CONTENTS

| |
|-----------------------------------|
| 1600W Power Mixer |
| 160mm Downward Mixer Rod (ARN160) |
| 22mm Spanner |
| Operational Manual |

WARNING! Read all safety warnings and all instructions. Failure to follow the warnings and instructions may result in electric shock, fire and/or serious injury. Save all warnings and instructions for future reference. The term “power tool” in the warnings refers to your mains operated (corded) power tool or battery-operated (cordless) power tool.

Work Area Safety

- a.** Keep work area clean and well lit. Cluttered or dark areas invite accidents.
- b.** Do not operate power tools in explosive atmospheres, such as in the presence of flammable liquids, gases or dust. Power tools create sparks which may ignite the dust or fumes.
- c.** Keep children and bystanders away while operating a power tool. Distractions can cause you to lose control.

Electrical Safety

- a.** Power tool plugs must match the outlet. Never modify the plug in any way. Do not use any adapter plugs with earthed (grounded) power tools. Unmodified plugs and matching outlets will reduce risk of electric shock.
- b.** Avoid body contact with earthed or grounded surfaces such as pipes, radiators, ranges and refrigerators. There is an increased risk of electric shock if your body is earthed or grounded.
- c.** Do not expose power tools to rain or wet conditions. Water entering a power tool will increase the risk of electric shock.
- d.** Do not abuse the cord. Never use the cord for carrying, pulling or unplugging the power tool. Keep cord away from heat, oil, sharp edges or moving parts. Damaged or entangled cords increase the risk of electric shock.
- e.** When operating a power tool outdoors, use an extension cord suitable for outdoor use. Use of a cord suitable for outdoor use reduces the risk of electric shock.
- f.** If operating a power tool in a damp location is unavoidable, use an earth leakage circuit breaker. Use of an earth leakage circuit breaker reduces the risk of electric shock.

Personal Safety

- a.** Stay alert, watch what you are doing and use common sense when operating a power tool. Do not use a power tool while you are tired or under the influence of drugs, alcohol or medication. A moment of inattention while operating power tools may result in serious personal injury.
- b.** Use personal protective equipment. Always wear eye protection. Protective equipment such as dust mask, non-skid safety shoes, hard hat, or hearing protection used for appropriate conditions will reduce personal injuries.
- c.** Prevent unintentional starting. Ensure the switch is in the off-position before connecting to power source and/or battery pack, picking up or carrying the tool. Carrying power tools with your finger on the switch or energising power tools that have the switch on invites accidents.
- d.** Remove any adjusting key or wrench before turning the power tool on. A wrench or a key left attached to a rotating part of the power tool may result in personal injury.
- e.** Do not overreach. Keep proper footing and balance at all times. This enables better control of the power tool in unexpected situations.
- f.** Dress properly. Do not wear loose clothing or jewellery. Keep your hair, clothing and gloves away from moving parts. Loose clothes, jewellery or long hair can be caught in moving parts.
- g.** If devices are provided for the connection of dust extraction and collection facilities, ensure these are connected and properly used. Use of dust collection can reduce dust-related hazards.

Power Tool Use & Care

- a.** Do not force the power tool. Use the correct power tool for your application. The correct power tool will do the job better and safer at the rate for which it was designed.
- b.** Do not use the power tool if the switch does not turn it on and off. Any power tool that cannot be controlled with the switch is dangerous and must be repaired.
- c.** Disconnect the plug from the power source and/or the battery pack from the power tool before making any adjustments, changing accessories, or storing power tools. Such preventive safety measures reduce the risk of starting the power tool accidentally.
- d.** Store idle power tools out of the reach of children and do not allow persons unfamiliar with the power tool or these instructions to operate the power tool. Power tools are dangerous in the hands of untrained users.
- e.** Maintain power tools. Check for misalignment or binding of moving parts, breakage of parts and any other condition that may affect the power tool's operation. If damaged, have the power tool repaired before use. Many accidents are caused by poorly maintained power tools.
- f.** Keep cutting tools sharp and clean. Properly maintained cutting tools with sharp cutting edges are less likely to bind and are easier to control.
- g.** Use the power tool, accessories and tool bits etc., in accordance with these instructions, taking into account the working conditions and the work to be performed. Use of the power tool for operations different from those intended could result in a hazardous situation.

Service

Have your power tool serviced by an Authorised Service Centre, using only identical and genuine Intex MegaMixer® replacement parts.

NOTE: We recommend the power tool be serviced at least once per year. This will ensure that the safety and operation of the power tool is maintained.

Symbols used in this manual

| | | | |
|--|---|---|--|
| V | volts | | |
| A | amperes | | |
| Hz | hertz | | |
| W | watt | | |
| ~ | alternating current | | |
| n_0 | no load speed | | |
| min ⁻¹ | revolutions or reciprocation per minute | | |
|  | warning of general danger |  | read these instructions |
|  | class II tool |  | always wear eye protection |
|  | with electrical earth |  | always wear a dust mask. |
| | |  | always wear hearing protection |
| | |  | wear safety-approved hard hat |
| | |  | do not dispose of electric tools, accessories and packaging together with household waste material |

Specific Safety Rules

Safe operation of this machine is possible only when the operation instructions, and the safety precautions are read completely and the instructions contained therein are strictly observed.

- Never use the machine in an explosive or inflammable atmosphere where danger of explosion exists.
- Serious injury can occur through misuse or accident. Do not work in a cluttered or unsafe working area. Keep children away from mixing equipment.
- The machine must not be damp and must not be operated in a wet environment.
- Always wear eye, respiratory and hearing protection equipment and suitable protective clothing.
- Always inspect cable and plug before using machine. All repairs must be carried out by a qualified professional.
- Machines that are used with wet materials or in damp areas should be used with a residual current circuit breaker. Use only extension cables that are intended for outdoor use and are protected against splash water.
- Ensure the machine is turned off before connecting to the power socket.
- Keep the power cable away from the machine mixing helix.
- Ensure long hair, loose clothing and fashion accessories are well tied back away from the mixing shafts.
- When working with the machine, always hold it firmly with both hands and ensure a firm stable working position. Secure the vessel with the mixed substance against moving on the floor.
- Do not carry the machine by the power cord.
- Disconnect the machine from the power source before attaching or removing the mixing helix or attempting any repairs to the machine.

Extension Cable

If an extension cable is required, it must have a sufficient cross-section so as to prevent an excessive drop in voltage or overheating. An excessive drop in voltage reduces the output and can lead to failure of the motor. The following table shows you the correct cable diameter as a function of the cable length for this machine. Use only U.L. and CSA listed extension cables. Never use two extension cables together. Instead, use one long one.

| Total Extension Cord Length (feet) | Cord Size (AWG) |
|------------------------------------|-----------------|
| 25 | 16 |
| 50 | 12 |
| 100 | 10 |
| 150 | 8 |
| 200 | 6 |

Unpacking

Carefully remove the tool and all loose items from the shipping container.
Retain all packing materials until after you have inspected and satisfactorily operated the machine.

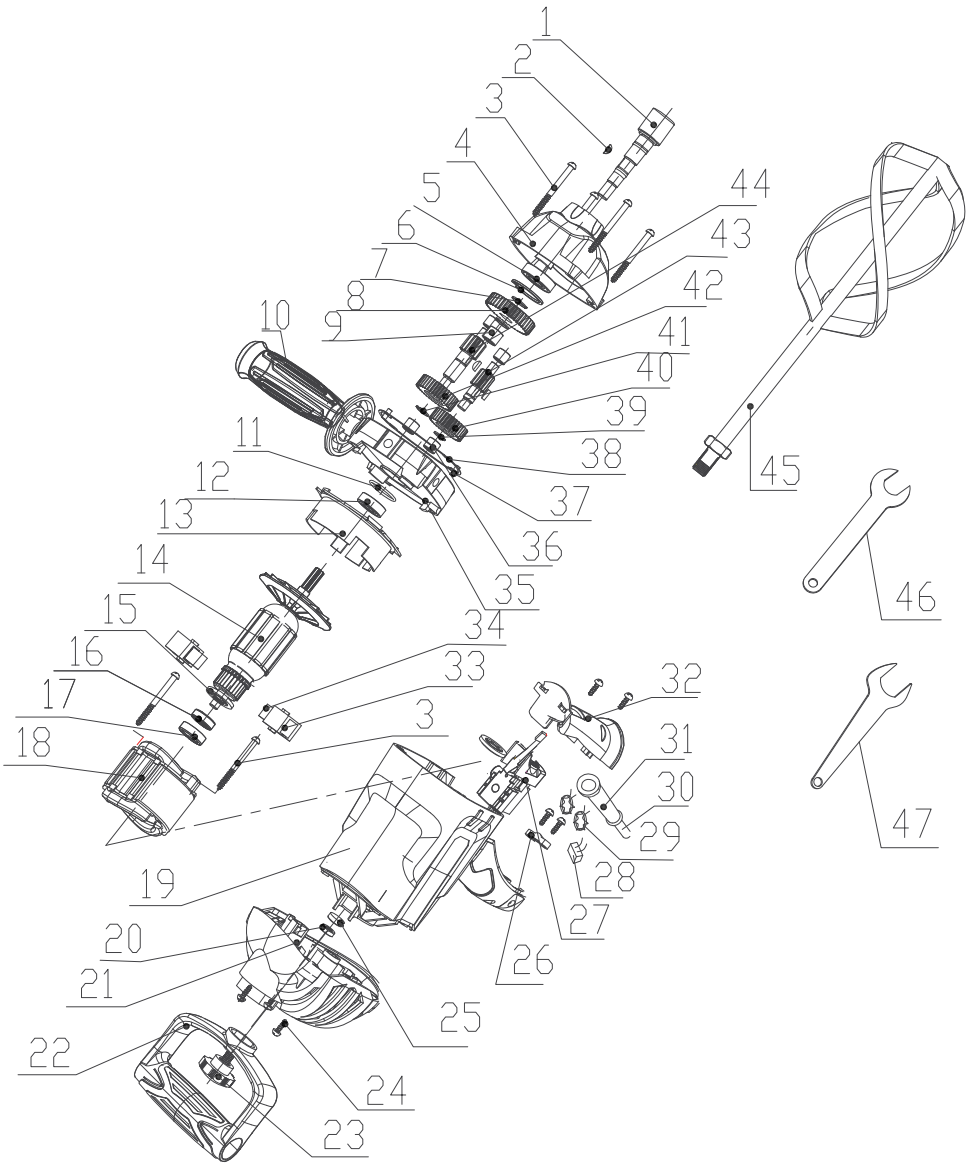
PARTS LIST AMX110

AMX110

Power Mixer Drill 1050W-230V (Inc.Rod)

| No | Description | Quantity | Part # | No | Description | Quantity | Part # |
|----|--------------------------------|----------|----------|----|---------------------------------|----------|----------|
| 1 | Output Shaft | 1 | MMP11001 | 25 | Inside Cover Of Back Handle | 1 | MMP11025 |
| 2 | Semi-Circular Key 3-3,7-10 | 3 | MMP11002 | 26 | Cable Pressing Board | 1 | MMP11026 |
| 3 | Screw St 4,8-48 | 6 | MMP11003 | 27 | Switch | 1 | MMP11027 |
| 4 | Gear Box | 1 | MMP11004 | 28 | Capalitar | 1 | MMP11028 |
| 5 | Bearing 6002 | 1 | MMP11005 | 29 | Inductor | 1 | MMP11029 |
| 6 | Elastic Collar 32 | 1 | MMP11006 | 30 | Cable | 1 | MMP11030 |
| 7 | Elastic Collar 15 | 1 | MMP11007 | 31 | Cable Sleeve | 1 | MMP11031 |
| 8 | Gear For Output Shaft | 1 | MMP11008 | 32 | Handle Cover | 1 | MMP11032 |
| 9 | Bearing Hk1010 | 1 | MMP11009 | 33 | Brush Hold Sets | 1 | MMP11033 |
| 10 | Handle(Including Screw M10-38) | | MMP11010 | 34 | Carbon Brush | 1 | MMP11034 |
| 11 | Ring O | 1 | MMP11011 | 35 | Middle Cover | 1 | MMP11035 |
| 12 | Bearing 6000 | 1 | MMP11012 | 36 | Bearing Hk0810 | 4 | MMP11036 |
| 13 | Fan Guide | 1 | MMP11013 | 37 | Pin 4-6 | 2 | MMP11037 |
| 14 | Rotor | 1 | MMP11014 | 38 | Sealed Washer | 1 | MMP11038 |
| 15 | Insulation Ring | 1 | MMP11015 | 39 | Elastic Collar 10 | 1 | MMP11039 |
| 16 | Bearing 608 | 1 | MMP11016 | 40 | Big Gear For Main Driving Shaft | 1 | MMP11040 |
| 17 | Rubber Cover 608 | 1 | MMP11017 | 41 | Elastic Collar 12 | 4 | MMP11041 |
| 18 | Stator | 1 | MMP11018 | 42 | Big Gear For Sud- Driving Shaft | 1 | MMP11042 |
| 19 | Motor Housing | 1 | MMP11019 | 43 | Main Driving Shaft | 1 | MMP11043 |
| 20 | Screw M8 | | MMP11020 | 44 | Sub-Driving Shaft | 1 | MMP11044 |
| 21 | Back Cover For Motor Housing | 1 | MMP11021 | 45 | Mix Rod | 1 | MMP11045 |
| 22 | Back Handle | 1 | MMP11022 | 46 | Spanner 22# | 1 | MMP11046 |
| 23 | Bolt For Handle Fixing | | MMP11023 | 47 | Spanner 19# | 1 | MMP11047 |
| 24 | Screw St 3,8-14 | 4 | MMP11024 | | | | |

EXPLODED VIEW AMX110



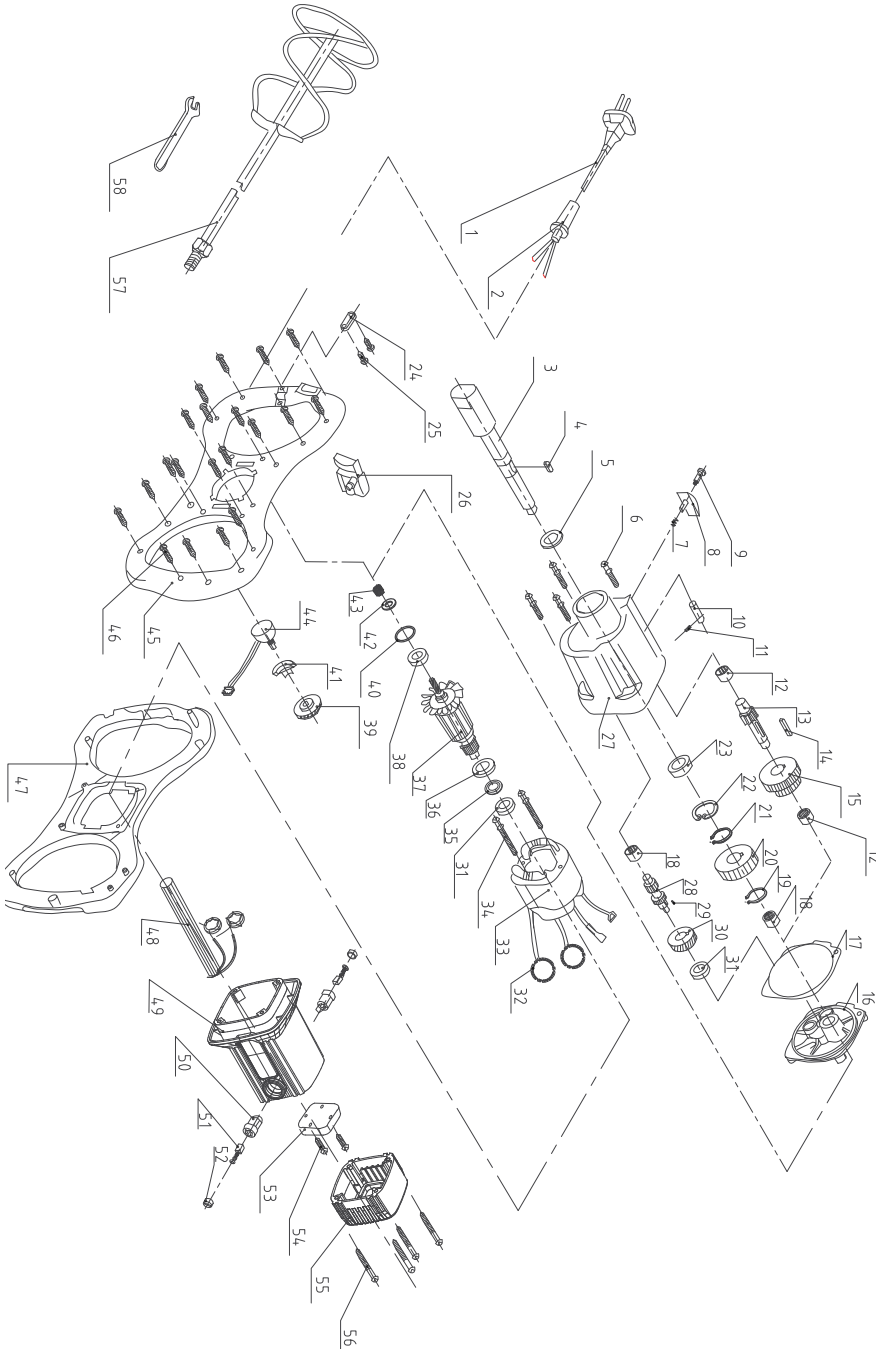
PARTS LIST AMX620

AMX620

Power Mixer 1600W-230V (Inc.Rod)

| No | Description | Quantity | Part # | No | Description | Quantity | Part # |
|----|---------------------------------|----------|----------|----|---------------------------------|----------|----------|
| 1 | Cable | 1 | MMP62001 | 30 | Diagonal Gear | 1 | MMP62030 |
| 2 | Cable Sleeve | 1 | MMP62002 | 31 | Bearing 60RZz | 2 | MMP62031 |
| 3 | Output Shaft | 1 | MMP62003 | 32 | Tension Spring | 1Pair | MMP62032 |
| 4 | Key 5X13 | 1 | MMP62004 | 33 | Stator Subassembly | 1 | MMP62033 |
| 5 | Oil Seal | 1 | MMP62005 | 34 | Crossing Tapping Screw St5x75-F | 2 | MMP62034 |
| 6 | Crossing Tapping Screw St5x60-F | 4 | MMP62006 | 35 | Dust Washer | 1 | MMP62035 |
| 7 | Pushing Button Spring | 1 | MMP62007 | 36 | Magnetic Ring | | MMP62036 |
| 8 | Pushing Button | 1 | MMP62008 | 37 | Motor Subassembly | 1 | MMP62037 |
| 9 | Pushing Button Fixing Screw | 1 | MMP62009 | 38 | Bearing 609Zz | 1 | MMP62038 |
| 10 | Shift Lever | 1 | MMP62010 | 39 | Potentiometer Knob | 1 | MMP62039 |
| 11 | Pin | 1 | MMP62011 | 40 | Potentiometer Sleeve | 1 | MMP62040 |
| 12 | Needle Bearing HK1010 | 2 | MMP62012 | 41 | Potentiometer | 1 | MMP62041 |
| 13 | Variable Cover | 1 | MMP62013 | 42 | Foregoing Handle | | MMP62042 |
| 14 | Key 5X45 | 1 | MMP62014 | 43 | Crossing Tapping Screw St4x20 | | MMP62043 |
| 15 | Two Gang Gear | 1 | MMP62015 | 44 | Potentiometer | 1 | MMP62044 |
| 16 | Middle Cover | 1 | MMP62016 | 45 | Foregoing Handle | 1 | MMP62045 |
| 17 | Paper Washer | 1 | MMP62017 | 46 | Crossing Tapping Screw St4x16 | 22 | MMP62046 |
| 18 | Needle Bearing HK0810 | 2 | MMP62018 | 47 | Back Handle | | MMP62047 |
| 19 | Elastic Collar 15 | 1 | MMP62019 | 48 | Lead Sleeve | 1 | MMP62048 |
| 20 | Big Gear | 1 | MMP62020 | 49 | Housing | 1 | MMP62049 |
| 21 | Elastic Collar 17 | 1 | MMP62021 | 50 | Brush Hold | 1Pair | MMP62050 |
| 22 | Elastic Collar 35 | 1 | MMP62022 | 51 | Carbon Brush | 1Pair | MMP62051 |
| 23 | Bearing 6003-ZZ | 1 | MMP62023 | 52 | Brush Cover | 1Pair | MMP62052 |
| 24 | Cable Plate | 1 | MMP62024 | 53 | Integrating Block | 1 | MMP62053 |
| 25 | Crossing Tapping Screw St4x14 | 2 | MMP62025 | 54 | Crossing Tapping Screw St3x25-F | 2 | MMP62054 |
| 26 | Switch(Fa2-6/ZD-A1-B1-F3) | 1 | MMP62026 | 55 | Housing Back Cover | 1 | MMP62055 |
| 27 | Head Housing | 1 | MMP62027 | 56 | Crossing Tapping Screw St5x45-F | 4 | MMP62056 |
| 28 | Main Driving Shaft | 1 | MMP62028 | 57 | Mixer Rod | 1 | MMP62057 |
| 29 | Key 4X8 | 1 | MMP62029 | 58 | Spanner | 2 | MMP62058 |

EXPLODED VIEW AMX620



WARNING: To reduce the risk of injury, user must read and understand operator's manual.



intexinternational.com

MegaMixer® is a registered Trademark of Intex Group Int.
The information contained in this brochure was correct at the time of printing. E&OE