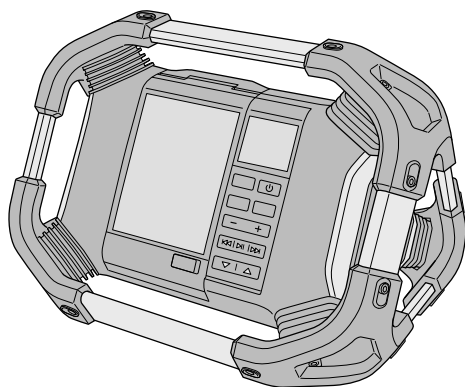


# HIKOKI

---

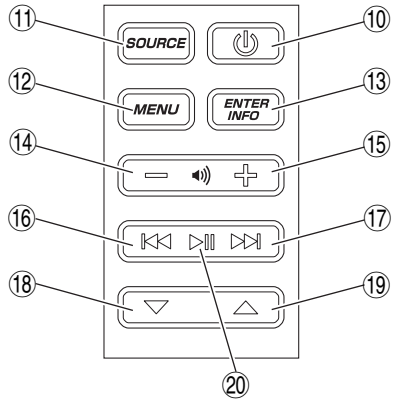
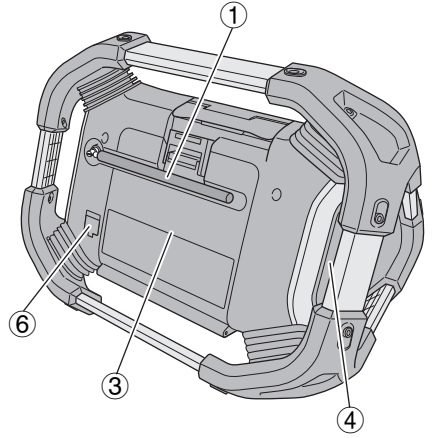
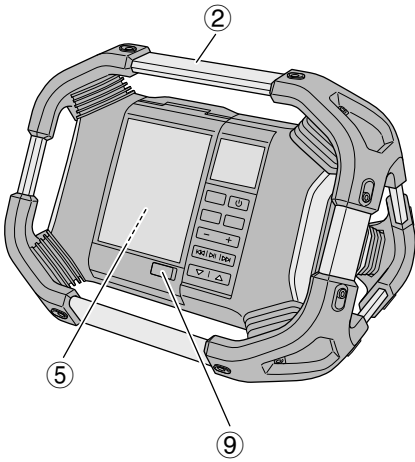
## UR 18DSDL

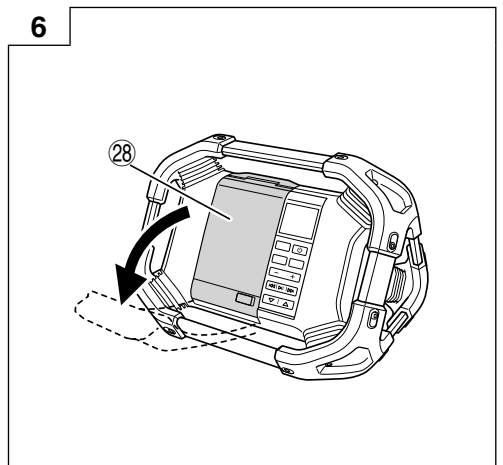
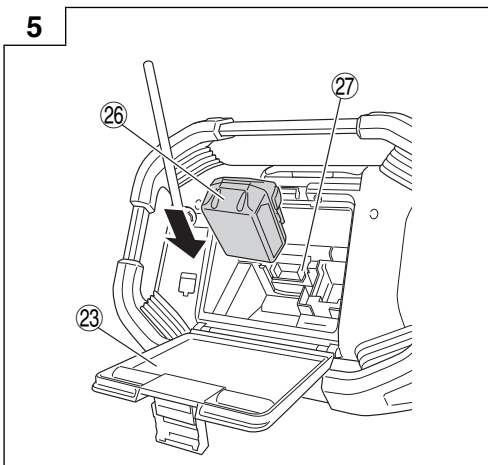
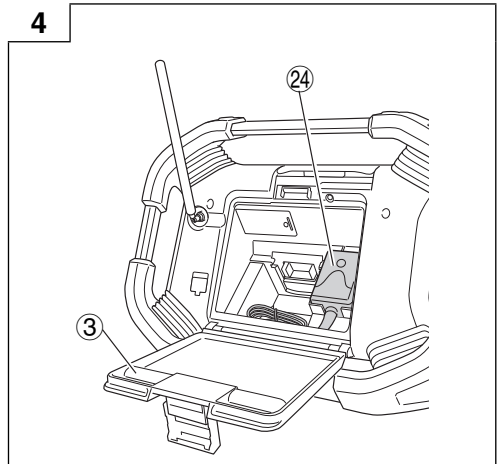
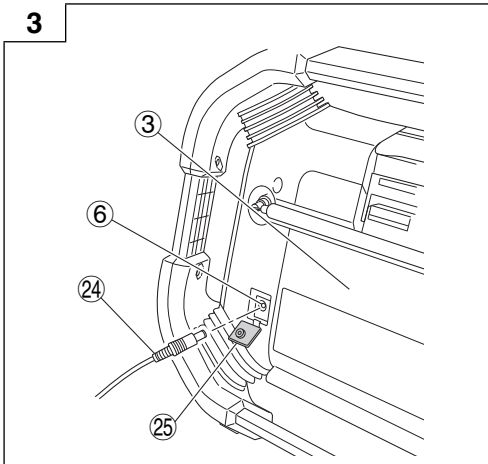
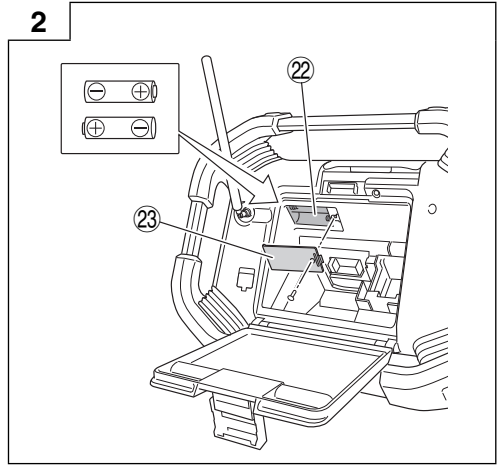
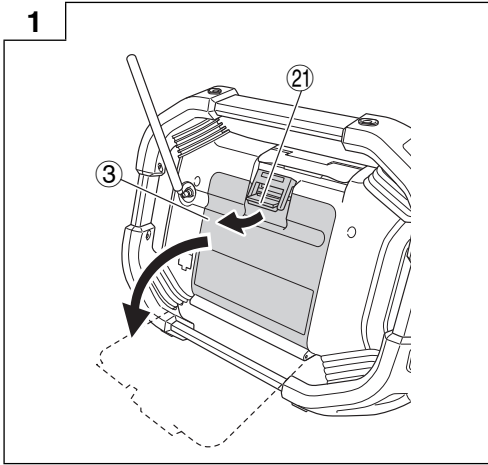
---

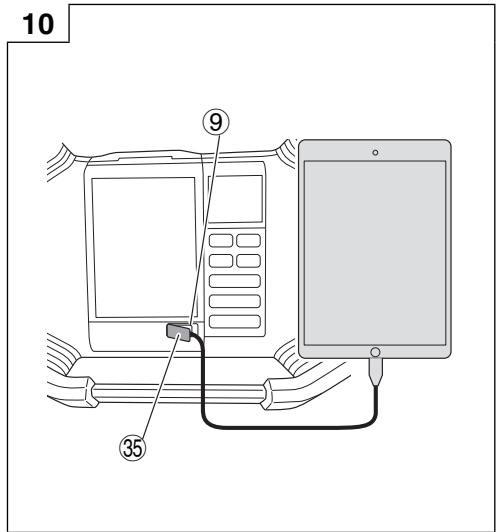
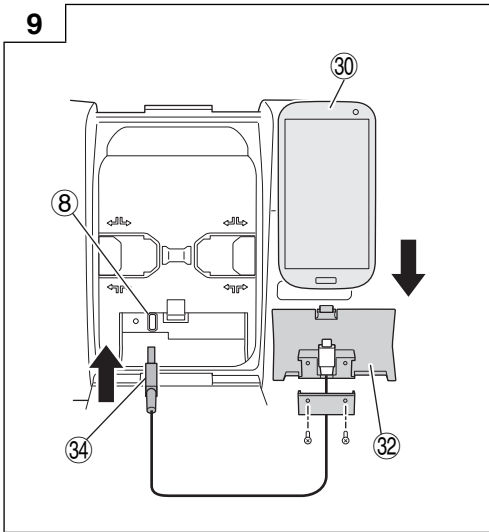
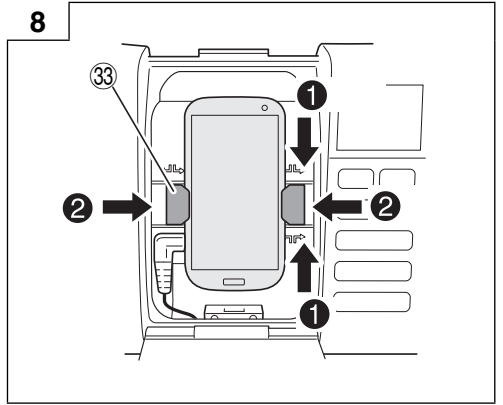
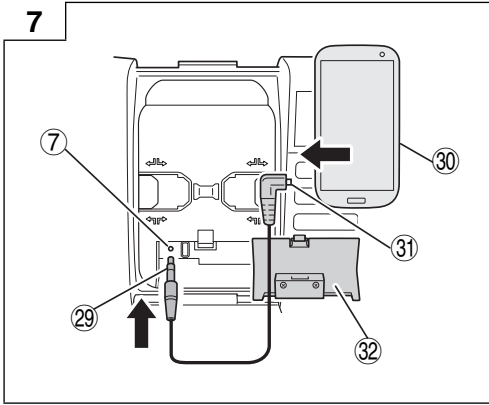


Handling instructions









## NAMES OF PARTS

①	FM antenna	⑱	Select button (-)	㉞	Rubber cap
②	Handle	⑲	Select button (+)	Ⓐ	DAB broadcast indicator
③	Rear cover	⑳	Play / Stop button (for bluetooth mode)	Ⓑ	Bluetooth indicator
④	Speaker	㉑	Tab	Ⓒ	AM broadcast indicator
⑤	Storage case for external devices	㉒	AA Battery box	Ⓓ	AUX indicator
⑥	AC adapter port	㉓	Lid	Ⓔ	FM broadcast indicator
⑦	AUX input port	㉔	AC adapter	Ⓕ	RDS indicator
⑧	USB charging port	㉕	Rubber cover	Ⓖ	Stereo indicator
⑨	Cable access hole	㉖	Battery	Ⓗ	Alarm indicator
⑩	Power button	㉗	Terminals	Ⓘ	Buzzer alarm indicator
⑪	Source select button	㉘	Front cover	Ⓣ	Radio ON alarm indicator
⑫	Menu button	㉙	Stereo mini plug connector cable	Ⓚ	Sleep timer indicator
⑬	Enter / Information button	⑳	Smartphone	Ⓛ	Battery exhausted indicator
⑭	Volume button (-)	㉑	Audio output port	Ⓜ	Information indicator
⑮	Volume button (+)	㉒	Recharge cable holder	Ⓝ	Clock
⑯	Search button (-)	㉓	Holder	Ⓟ	AM/PM indicator
⑰	Search button (+)	㉔	USB charging cable		

## CORDLESS RADIO SAFETY WARNINGS

### ⚠ WARNING

Read all safety warnings and all instructions.

Failure to follow the warnings and instructions may result in electric shock, fire and/or serious injury.

Save all warnings and instructions for future reference.

#### 1. Use only the specified power supply voltage.

- Use of any other voltage may lead to fire or electric shock.

#### 2. Avoid damaging the AC adapter cord.

- Do not modify, forcibly bend, twist or pull the cord, place heavy objects on it or place it near heating appliances.
- When not in use, remove the power plug (AC adapter) from the electric socket and from the radio. Failure to do so may lead to electric shock or fire.

#### 3. Do not touch the power plug (AC adapter) with wet hands.

- Doing so may result in electric shock.

#### 4. Do not use the radio in the bathroom or shower.

- Do not use the radio in wet or damp places or in the rain.
- Doing so may result in electric shock, emission of smoke or malfunction.

#### 5. Do not touch the FM antenna or power plug (AC adapter) during thunderstorms.

- Doing so may result in electric shock.

#### 6. Do not disassemble or modify the radio.

- Doing so may result in electric shock or fire. Inspections and repairs should be performed by the store where purchased or by a HiKOKI power tool service center.

#### 7. Insert the power plug (AC adapter) securely as far as it will go.

- Dust or dirt between the power plug and the electric socket may lead to fire. Remove the power plug periodically and wipe off any dust or dirt with a dry cloth.

#### 8. Do not let any unspecified objects or water get inside the radio body.

- With the exception of the AC adapter and the rechargeable battery, if any metal or flammable object or water gets inside the back door, it may lead to electric shock or fire.
- Take care to prevent iron powder from the bass reflex speakers, dust or water getting into the radio.

#### 9. Do not sit or stand on the radio.

- Doing so may lead to accidents or malfunction.


#### 10. Do not place the radio on an unstable surface or in a high place. Do not hang the radio from the handle.

- The radio may fall and cause injury or malfunction.

#### 11. When no slide battery is loaded, attach the slide terminal cover to the terminal to prevent cuts and other injuries that may result from touching the terminal area.

#### 12. Handle the backup batteries with care.

- Danger of explosion if battery is incorrectly replaced. Replace only with the same or equivalent type.
  - Incorrect handling of the batteries may result in rupture or leakage, leading to fire, injury or pollution of the surrounding area. Be sure to observe the following precautions.
    - Use only the specified batteries
    - Do not heat or disassemble the batteries
    - Do not throw the batteries into fire or water
    - Do not charge the batteries
    - Make sure the batteries are correctly oriented and avoid short-circuiting
    - Do not reuse batteries or use different types of battery
    - Remove the batteries when the radio is not in use
- In the event of leakage from the batteries, wipe the battery case clean. Should any battery fluid get on your body, wash it off carefully.

If  is displayed when you turn the power on with the rechargeable battery inserted, the battery power is low.

Power the radio from the AC adapter or insert a charged battery.

### 13. Recharge only with the charger specified by the manufacturer.

- A charger that is suitable for one type of rechargeable battery may create a risk of fire when used with another battery.

### 14. Use the radio only with specifically designated rechargeable battery.

- Use of any other rechargeable battery may create a risk of injury and fire.

### 15. When rechargeable battery is not in use, keep it away from other metal objects like paper clips, coins, keys, nails, screws, or other small metal objects that can make a connection from one terminal to another.

- Shorting the battery terminals together may cause burns or a fire.

### 16. Under abusive conditions, liquid may be ejected from the battery; avoid contact. If contact accidentally occurs, flush with water. If liquid contacts eyes, additionally seek medical help.

- Liquid ejected from the battery may cause irritation or burns.

### 17. Have your radio serviced by a qualified repair person using only identical replacement parts.

- This will ensure that the safety of the radio is maintained.

### 18. The main unit and adapter shall not be exposed to dripping or splashing and that no objects filled with liquids, such as vases, shall be placed on the unit and adapter.

### 19. The batteries (battery pack or batteries installed) shall not be exposed to excessive heat such as sunshine, fire or the like.

### 20. The MAINS plug of adapter is used as the disconnect device, the disconnect device shall remain readily operable.

Note that Koki Holdings cannot be held responsible for the corruption or loss of data stored within smartphones and other peripheral equipment connected to the radio, nor any damage to the equipment itself.

## MAIN FUNCTIONS

- Playback of Bluetooth devices
- Manual/Auto select
- Save (Memory) (10 DAB + 10 AM + 10 FM stations)
- Radio On/Off/Alarm
- Dock for playing audio from smartphones and portable audio players
- High-quality stereo speaker
- Smartphone and cell phone recharging
- Compatibility with HiKOKI power tool rechargeable battery and AC adapter

## SPECIFICATIONS

Frequency band	DAB / DAB+: 174.928 to 239.200 MHz (BAND III) FM: 87.5 to 108 MHz AM: 522 to 1629 KHz
Antenna	FM: Rubber antenna AM: Ferrite bar antenna (built-in)
Speaker	90 mm (8 Ω) × 2
Max. power output	AC adapter: 5 W × 2 14.4 V: 6 W × 2 18 V: 7 W × 2
Power supply	Slide battery: DC 14.4 V, 18 V
	Household power supply (using provided AC adapter)
	Backup batteries: DC 3 V, two AA batteries
Bluetooth	Bluetooth Ver. 4.0 Profile: A2DP (Advanced Audio Distribution Profile) AVRCP (AV Remote Control Profile) Send/receive Sensitivity: Class 2
Exterior dimensions	L 405 mm × W 312 mm × H 265 mm (with antenna refracted)
Weight	4.0 kg

## PROTECTING YOUR HEARING

Continuous exposure to loud noise may result in permanent hearing loss. The louder the volume, the shorter the time in which hearing loss may occur.

If you listen to large volume sound over a long period of time, your ears will become accustomed to it. This creates the illusion that the volume level is appropriate, despite the fact that it may be damaging your hearing.

Observe the following to prevent hearing loss.

### CAUTION

#### 1. Make sure you give your ears a rest by taking regular breaks and not listening for long periods of time.

Even when set at safe volume levels, listening continuously over long periods of time may cause hearing loss.

#### 2. Be careful not to increase the volume as your hearing adapts to the sound output.

Beware of being accustomed to a certain volume level. Adjust the volume to a safe level before your ears become accustomed to loud volumes.

#### 3. If your ears begin to ring, if you feel any discomfort, or if conversation seems faint or indistinct, discontinue listening to music and have your ears examined by a doctor.

## PRECAUTIONS WHEN CONNECTING TO EXTERNAL EQUIPMENT


Unexpected problems may result in the loss or corruption of data stored in smartphones and other peripheral equipment connected to the radio. With this possibility in mind, a backup of the data should always be made in advance.









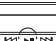



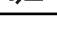
- For applicable power supplies see user instructions: Applicable power suppliers: Dong Guan Sun Hung Kin Electrical Co., Ltd. (Manufacture) HKP12-1201200dV, HKP12-1201200dB (Model)
- Only below slide battery could be used (Model) BSL1430: 14.4 V 3000 mAh Lithium battery (Model) BSL1830: 18 V 3000 mAh Lithium battery (Manufacture) Koki Holdings Co., Ltd.

## SYMBOLS

### WARNING

The following show symbols used for the machine. Be sure that you understand their meaning before use.

	UR18DSDL : Cordless radio
---	---------------------------

	For applicable power supplies see user instructions.
	Only for EU countries Do not dispose of electric tools together with household waste material! In observance of European Directive 2002/96/EC on waste electrical and electronic equipment and its implementation in accordance with national law, electric tools that have reached the end of their life must be collected separately and returned to an environmentally compatible recycling facility.
	Power button
	Source select button
	Menu button
	Enter / Information button
	Volume button
	Search button
	Select button
	Play / Stop button
	Buzzer alarm indicator
	Radio ON alarm indicator
	Battery exhausted indicator

## NOTE

- Do not reverse battery polarity (+/-) when installing the batteries.
- Do not mix old and new batteries. Always replace both batteries at the same time.
- Do not burn batteries or dispose them as household waste.

## ● AC adapter installation

Power can be supplied by plugging the AC adapter (included) into a standard household outlet.

Pull back the rubber cover and connect the AC adapter to the AC adapter port. (Fig. 3)

Next, plug the AC adapter into an electrical outlet.

## NOTE

- When used together with the batteries, the AC adapter is the main power source and no battery power is consumed.
- When used together with the AC adapter, the batteries will not recharge as this device has no recharge function.

## Storing the AC adapter

The AC adapter can be stored in the compartment behind the rear cover. (Fig. 4)

## ● Battery installation

### CAUTION

Do not touch the terminals.


Doing so may result in cuts to the hand or other injuries.

Only a 14.4 V or 18 V slide-type battery can be used with this device.

### Installing the battery

Open the rear cover, align the battery with the grooves of this device and slide it all the way in. (Fig. 5)

## NOTE

- Do not apply any excessive pressure when inserting the battery. If the battery does not easily slide into place, it is not being inserted properly.
- Check to see if the battery is facing the correct direction and that there is nothing obstructing the path of insertion.
- If  is displayed when the device is switched on following battery installation, the battery charge is low. In this situation, either use the AC adapter or install a fully charged battery.

## ● Changing the date display

The following selections are available for date display.

YYYY/MM/DD (Year/Month/Day)

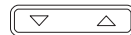
MM/DD/YYYY (Month/Day/Year)

DD/MM/YYYY (Day/Month/Year)

1. Press the Menu button.



2. Press the Select button and display "Date display".

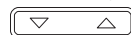


Date display

3. Press the Enter / Information button.



4. Press the Select button and display the date display selection of your choice.



YYYY/MM/DD

5. Press the Enter / Information button.



## ● Set the date

Using the control panel, follow the steps below to set up the date.

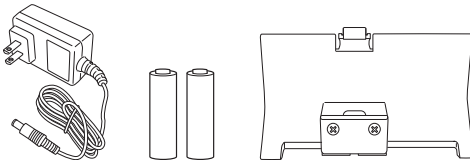
1. Press the Menu button.



## STANDARD ACCESSORIES

In addition to the main unit (1 unit), the package contains the accessories listed in the below.

- AC adapter.....1
- AA batteries.....2
- Recharge cable holder.....1  
(for Apple Lightning connector)  
\* Android holder is built into the main unit.



Standard accessories are subject to change without notice.

## PRIOR TO OPERATION

### ● Installing backup batteries

Time settings and radio station frequencies can be saved by installing batteries in the unit.

1. To access the storage box for the backup batteries, unlatch the tab and open the rear cover. (Fig. 1)
2. Open the backup battery storage box and insert the two AA batteries (included) into the storage box in the direction indicated. (Fig. 2)

- Press the Select button and display "Date adjust".



- Press the Enter / Information button.



- Press the Select button and adjust "year" digits.



- Press the Enter / Information button.



- Press the Select button and adjust "month" digits.



- Press the Enter / Information button.



- Press the Select button and adjust "day" digits.



- Press the Enter / Information button.



## ● Set the time

Using the control panel, follow the steps below to set up the time.

- Press the Menu button.



- Press the Select button and display "Clock adjust".



- Press the Enter / Information button.



- Press the Select button and adjust "hour" digits.



- Press the Enter / Information button.



- Press the Select button and adjust "minute" digits.



- Press the Enter / Information button.



- Press the Select button and select "12 H" or "24 H"



- Press the Enter / Information button.



## ● Synchronize the time and date (DAB mode only)

- Press the Source select button and select "DAB".



- Press the Select button and display "Date Time Sync".



- Press the Enter / Information button.



- Press the Select button and display "ON" or "OFF".



- Press the Enter / Information button.



If "ON" is selected, your radio can be synchronized the time and date.

## LISTENING TO RADIO BROADCASTS

### ● Selecting DAB, FM or AM bandwidth

- Power ON.



- Press the Source select button and select the radio's bandwidth (DAB/FM/AM).



### ● Selecting stations

#### Auto station selection

A long press of the Search button will automatically scan and search clear station broadcast frequencies. To select the next station broadcast, long press the Search button again.



#### Manual station selection

Press the Search button to change frequencies and select a station.



#### Preset station selection

Press the Select button to quickly switch between preset stations.



At the time of purchase, there are no preset stations. Follow the steps below to register preset stations.

#### <Manual preset registration>

- Tune into a radio station of your choice and press the Menu button.



- Press the Select button and display "Preset".



- Press the Enter / Information button.



- Press the Select button and select a preset number from 0 to 9 for registering the station.



- Press the Enter / Information button to register the station.



#### <Auto preset registration>

This feature allows the automatic registration of available radio stations in the area of use. (Maximum of 10 stations)

- Press the Menu button.



- Press the Select button and display "Auto scan".





- Press the Enter / Information button to begin auto preset registration of available radio stations.



#### NOTE

- A broadcasting radio station will not be registered if its frequency is weak.
- Depending on location of use, non-radio signals such as noise may be registered.
- See page 11 when recharging with USB in "DAB" or "FM" mode.

### ● For better reception

#### FM broadcasts

Adjust reception by changing the facing and angle of the antenna.

"Stereo" will be displayed when receiving a stereo broadcast. Switching to monaural reception can reduce noise.

#### <Switching to monaural reception>

- Press the Menu button.



- Press the Select button and display "Stereo".



- Press the Enter / Information button.



- Press the Select button and display "OFF".



- Press the Enter / Information button to complete setup.



#### AM broadcasts

Move the device and face it in a direction in which the reception is best.

#### <Volume adjustment>

Use the Volume button to adjust the volume from 0 to 30.



## DRC (DYNAMIC RANGE CONTROL) FOR DAB

DRC can make quieter sounds easier to hear when your radio is used in a noisy environment.

- Press the Menu button.



- Press the Select button and display "DRC".



- Press the Enter / Information button.



- Press the Select button and display "OFF", "Half" or "Full".



- Press the Enter / Information button to complete adjustment.



## ADJUSTING SOUND QUALITY

Sound quality (Bass/Treble) can adjusted according to preference.

- Press the Menu button.



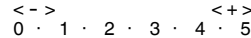
- Press the Select button and display "Select EQ".



- Press the Enter / Information button.



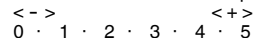
- Press the Select button and display "Bass 0 – 5". "5" is for maximum bass output.



- Press the Enter / Information button.



- Press the Select button and display "Treble 0 – 5". "5" is for maximum treble output.



- Press the Enter / Information button to complete adjustment.



#### NOTE

- The radio does not allow Bass or Treble settings of "5" if the volume level is 25 or more.
- If the Bass or Treble is set at "5", the setting will be automatically adjusted down to "4" when the volume level is raised above 25. Moreover, when the volume level is lowered to 24 or less, the reduced setting will automatically revert back to "5".

## USING EXTERNAL DEVICES FOR AUDIO PLAYBACK

Audio can be played back from smartphones, portable music players and other external devices.

#### CAUTION

Make sure to lower the volume output of the player before playback.

#### NOTE

There are two types of connector cable, straight type and L type.

Use an L type cable when connecting or storing large external devices.

- Open the external device storage area**

Switch the radio's power OFF and open the front cover. (Fig. 6)

- Connect an external device**

Using a commercially available stereo mini-plug connector cable (ø3.5 mm), connect the radio's AUX input port to the audio output port of the external device. (Fig. 7)

- Secure the external device**

The right and left holders can be moved to the right or left by pinching the top and bottom of each holder.

Secure the external device between the two holders. (Fig. 8)

#### 4. Playback

With the radio's power switched ON, press the Source select button and display "AUX".



Make sure to lower the volume output of the external device before music playback.

Volume can be adjusted through the radio.



Close the front cover after selecting tracks and adjusting volume.

#### NOTE

You may be unable to raise the VOLUME level if the volume level of the external device is too low.

#### NOTE

- When connecting a smartphone, please be aware that the ringtones of incoming calls for some models are not output to speaker.
- External devices may be damaged if used in locations exposed to the sun or hot temperatures.
- See page 11 when recharging with USB in "AUX" mode.

## CONNECTING WITH BLUETOOTH DEVICES

If smartphones, portable music players and other devices are Bluetooth compatible, audio can be output from this product via Bluetooth communication.

#### 1. Pairing (Registering devices)

Pairing is required for Bluetooth communication.

Set your Bluetooth device to pairing mode.

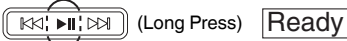
(For instructions on pairing, see the manual for the Bluetooth device to be used.)

#### 2. Set the radio for pairing mode

Press the Source select button and display "Bluetooth".



Long press the Play / Stop button (located between the Search buttons) until the displayed "Bluetooth" is flashing.



Select "UR18DSDL" on your Bluetooth device's list of connected devices to complete the pairing.

#### 3. Input pass key

Some Bluetooth devices may require pass key input when connecting.

If this should be the case, input "0000".

Also, if connection authorization is requested, input "authorized".

Connection is successful once "Connected" is displayed.



#### NOTE

- Once paired, connection will be automatically established the next time the devices are switched on. If the Bluetooth connection is lost, re-pair the devices.
- No more than two devices can be paired simultaneously.
- Connection with all Bluetooth devices cannot be guaranteed. Before attempting connection, always check for compatibility.

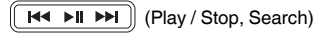
#### 4. Playback

Make sure to lower the volume output of the Bluetooth device before music playback.

Volume can be adjusted through the radio.

Use the Bluetooth device to select tracks .

You can also select tracks with the radio's control buttons.



#### NOTE

- Some Bluetooth devices may not respond to the radio's control buttons.
- See page 11 when recharging with USB in "Bluetooth" mode.

## USING THE TIMER FUNCTION

### ● Setting the sleep timer

Power can be set to automatically switch OFF after a certain amount of time has elapsed by using the sleep timer function.

1. Press the Menu button.



2. Press the Select button and display "Sleep".



3. Press the Enter / Information button.



4. Press the Select button to adjust the time period to elapse (between "0 - 90" minutes) before the power is switched OFF.



5. Press the Enter / Information button.



6. "Sleep" will be displayed on the LCD.

○ To check the remaining time, press the Menu button once again and select "Sleep".

○ To cancel the sleep timer, set the time to switch OFF at 0 minutes.

### ● Setting the alarm (Buzzer alarm)

The radio can be set up to activate a beeping alarm at a specific time.

1. Press the Menu button.



2. Press the Select button and display "Buzzer alarm".



3. Press the Enter / Information button.



4. Press the Select button and display "ON".



5. Press the Enter / Information button.



6. Press the Select button and adjust "hour" digits.



7. Press the Enter / Information button.



8. Press the Select button and adjust "minute" digits.



9. Press the Enter / Information button.



10. Press the Select button to set up repeat.

Once	Once
Daily	Daily
Weekdays only	Weekday
Saturday and Sunday only	Weekend



11. Press the Enter / Information button to complete setup.



will be displayed on the LCD.

- To cancel the alarm setting, go to “Buzzer alarm” once again and change the setting to “OFF”.
- The alarm sound will automatically switch off after 10 minutes. The sound can also be switched off by pressing any button.

**NOTE**

The volume of the buzzer alarm cannot be changed.

● **Setting the radio ON alarm timer**

Using the radio ON alarm timer function, the radio can be set up to switch ON at a specific time to enjoy a station broadcast.

1. Press the Menu button.



2. Press the Select button and display “Radio alarm”.



3. Press the Enter / Information button.



4. Press the Select button and display “ON”.



5. Press the Enter / Information button.



6. Press the Select button and adjust “hour” digits.



7. Press the Enter / Information button.



8. Press the Select button and adjust “minute” digits.



9. Press the Enter / Information button.



10. Press the Select button to set up repeat.

Once	Once
Daily	Daily
Weekdays only	Weekday
Saturday and Sunday only	Weekend



11. Press the Enter / Information button.



12. Select radio bandwidth.

Press the Select button to display “DAB”, “AM” or “FM”.



13. Press the Enter / Information button.



14. Press the Select button to display a preset station.



To select a station by broadcast frequency, use the Search button.



15. Press the Enter / Information button to complete setup.



will be displayed on the LCD.

- To cancel the radio alarm setting, go to “Radio alarm” once again and change the setting to “OFF”.

**NOTE**

The radio’s volume will be at the level when the radio was last switched OFF.

**RECHARGING YOUR SMARTPHONE**

Devices such as a smartphone and mobile phone can be recharged by connecting the device to this radio.

The recharge function is only available for the “DAB”, “FM”, “AUX” or “Bluetooth” mode. (Recharging cannot be done in “AM” mode.)

**NOTE**

- When recharging in “AUX” or “Bluetooth” mode, set the volume output at 20 or less.

The radio is designed to deactivate USB output and disable the recharging of smartphones and mobile phones when the volume is at 21 or more.

(For “DAB” or “FM” mode, USB recharging will continue even if the volume output is 21 or more.)

- On rare occasions, sound output may be interrupted or power could shutdown during USB recharging. If either should occur, lower the volume level or stop recharging with the USB.

- The radio is designed to deactivate USB output and disable the recharging of smartphones and mobile phones when the power level of the battery is low.

Should the aforementioned occur, recharge the battery or replace with a fully charged battery.

- If the voltage is low when the AC adapter is in use, the USB output may be cut off, discontinuing any recharging.

1. Using a commercially available USB connection/recharge cable, connect to the USB charging port located in the radio’s storage case for external devices. (Fig. 9)

2. Secure the smartphone with the holders and close the cover. (Fig. 8)

(See “Secure the external device” on page 9)

**NOTE**

- Use a fully charged battery when using a battery as this device’s power source.

You will not be able to recharge smartphones or mobile phones when the battery power level becomes low.

- The time required for charging varies in accordance with the smartphone or mobile phone being recharged.

- Do not use the recharge function for any devices other than a smartphone or mobile phone.

- The radio may not be able to recharge some smartphone or mobile phone models.

Two recharge cable holders, one for Android and the other for Apple (Lightning connector) are included.

Select the holder that best suits your device.

- Should your device be too large for the radio’s external device storage case, draw the cable through the cable access hole. (Fig. 10)

**NOTE**

As the recharge cable holders are designed for standard size terminals, the holders may not be able to securely fasten certain terminals depending on the recharge cable used.

**Hikoki Power Tools (U.K.) Ltd.**

Precedent Drive, Rooksley, Milton Keynes, MK 13, 8PJ,  
United Kingdom  
Tel: +44 1908 660663  
Fax: +44 1908 606642  
URL: <http://www.hikoki-powertools.uk>

**MAINTENANCE AND INSPECTION****WARNING**

When not in use or during inspection and maintenance, be sure to remove the AC plug, rechargeable battery and backup batteries.

**● Inspecting the mounting screws**

Regularly inspect all mounting screws and ensure that they are properly tightened. Should any of the screws be loose, retighten them immediately. Failure to do so could result in serious hazard.

**● Cleaning on the outside**

When the radio is stained, wipe with a soft dry cloth or a cloth moistened with soapy water.  
Do not use chloric solvents, gasoline or paint thinner, for they melt plastics.

**● Storing the Radio**

Do not store the radio in the following places.

- Within reach of or easily accessible to children
- In humid or dusty places
- In high temperature such as inside a car or exposed to direct sunlight
- In extremely cold places or directly exposed to cold draughts
- Where the temperature changes drastically
- Where it is exposed to smoke or steam such as near a cooking appliance or humidifier

**MODIFICATIONS**

HiKOKI Power Tools are constantly being improved and modified to incorporate the latest technological advancements.

Accordingly, some parts may be changed without prior notice.

---

**GUARANTEE**

We guarantee HiKOKI Power Tools in accordance with statutory/country specific regulation. This guarantee does not cover defects or damage due to misuse, abuse, or normal wear and tear. In case of complaint, please send the Power Tool, undismantled, with the GUARANTEE CERTIFICATE found at the end of this Handling instruction, to a HiKOKI Authorized Service Center.

---

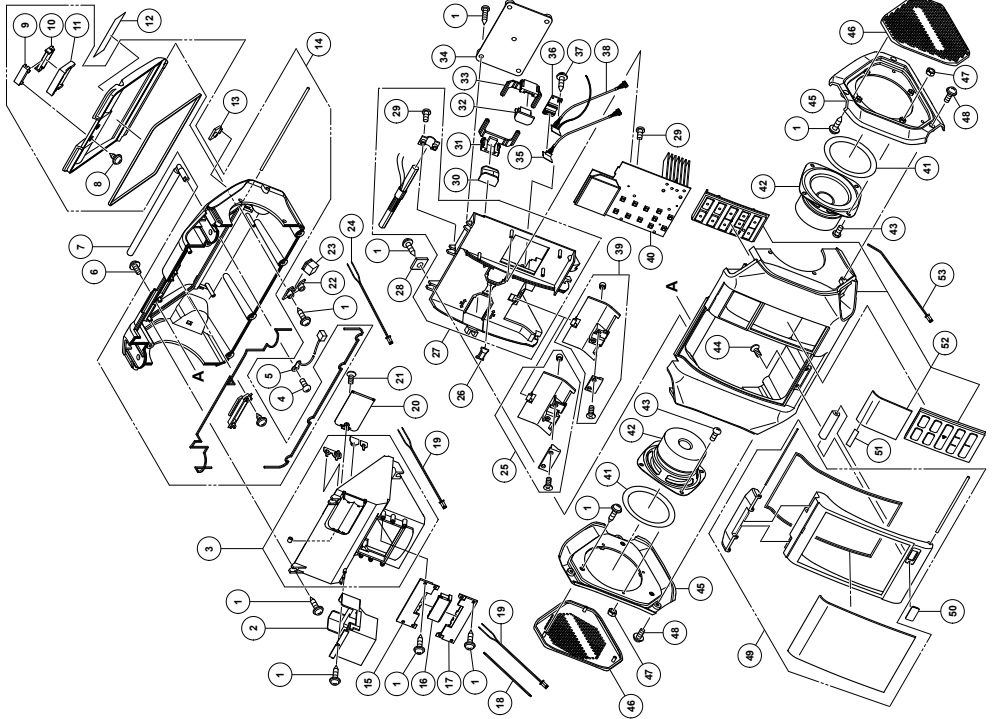
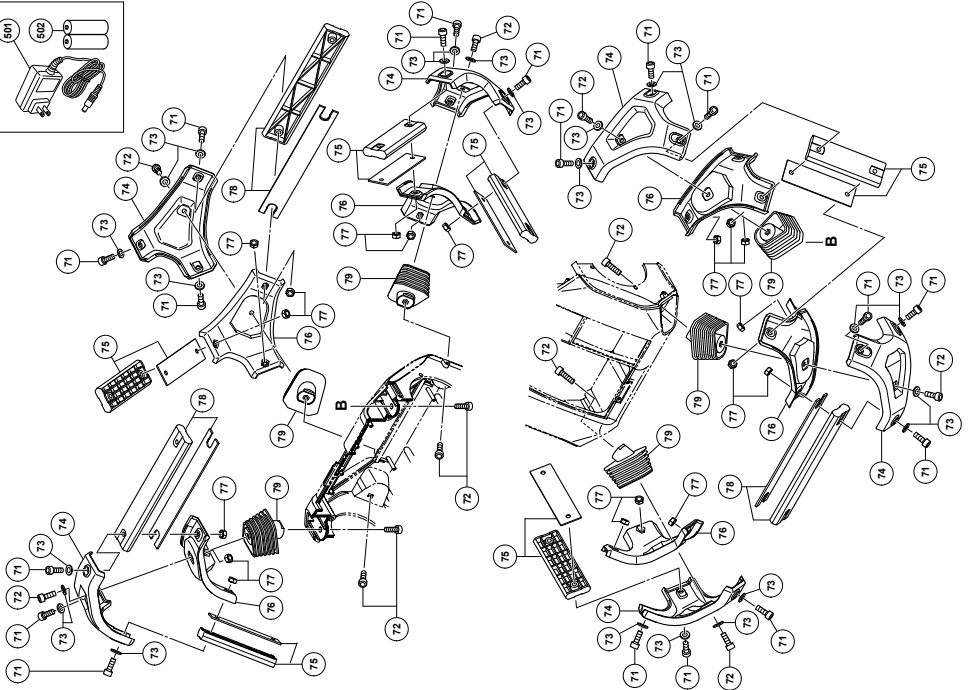
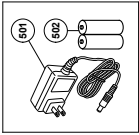
**NOTE**

Due to HiKOKI's continuing program of research and development, the specifications herein are subject to change without prior notice.

---

**Hikoki Power Tools Deutschland GmbH**

Siemensring 34, 47877 Willich, Germany  
Tel: +49 2154 49930  
Fax: +49 2154 499350  
URL: <http://www.hikoki-powertools.de>



ITEM NO.	PART NAME	QTY
1	TAPPING SCREW (W/FLANGE) D2.3X8	33
2	ADAPTER STORAGE CASE	1
3	BUTTERY COMPARTMENT SET	1
4	MACHINE SCREW (W/FLANGE) M3X8	1
5	CONNECTOR A	1
6	TAPPING SCREW D4X12	7
7	RUBBER ANTENNA	1
8	TAPPING SCREW (W/FLANGE) D2X8	2
9	LOWER BACK COVER BUTTON	1
10	UPPER BACK COVER BUTTON	1
11	BACK COVER LATCHING B	1
12	NAME PLATE	1
13	SOCKET COVER	1
14	BACK CABINET SET	1
15	UPPER CONTACT BRACKET	1
16	BATTERY TERMINAL	1
17	LOWER CONTACT BRACKET	1
18	INTERNAL WIRE (B)	1
19	CONNECTOR C	2
20	BATTERY COVER	1
21	SCREW M3	1
22	DC JACK BRACKET	1
23	DC JACK	1
24	CONNECTOR B	1
25	CABLE HOLDER (ANDROID)	1
26	SUPPORT	1
27	BRACKET SET	1
28	SQUARE WASHER	7
29	TAPPING SCREW D2X6	6
30	LEFT LATCHING	1

ITEM NO.	PART NAME	QTY
31	LEFT LATCH MOUNTING	1
32	LIGHT LATCHING	1
33	RIGHT LATCH MOUNTING	1
34	LATCHING PLATE	1
35	PCB ASSY (USB)	1
36	PCB PLATE	1
37	TAPPING SCREW D2X10	4
38	PCB ASSY (AUX)	1
39	CABLE HOLDER (APPLE)	1
40	PCB ASSY (A)	1
41	SPEAKER RESISTNCE STRIP	2
42	SPEAKER (DSDL)	2
43	MACHINE SCREW M3X6	8
44	TAPPING SCREW D2X7	2
45	SIDE PLATE	2
46	SPEAKER GRILL SET	2
47	NUT M3	8
48	HEX. SOCKET HD. BOLT M4X8	6
49	FRONT COVER SET	1
50	USB EXIT COVER	1
51	BLUETOOTH LABEL	1
52	FRONT CABINET SET A	1
53	CONNECTOR D	1
71	HEX. SOCKET HD. BOLT M5X18	18
72	HEX. SOCKET HD. BOLT M5X10	12
73	BOLT WASHER M5	30
74	UPPER PROTECTOR	6
75	SHORT LAYER SET	6
76	LOWER PROTECTOR	6
77	NUT M5	18
78	LONG LEVER SET	3
79	ABSORBER SET	6

ITEM NO.	PART NAME	QTY
501	AC ADAPTER	1
502	AA BATTERY	2

# **HIKOKI**

## **GUARANTEE CERTIFICATE**

- ① Model No.
- ② Serial No.
- ③ Date of Purchase
- ④ Customer Name and Address
- ⑤ Dealer Name and Address  
(Please stamp dealer name and address)

①	
②	
③	
④	
⑤	













### EC DECLARATION OF CONFORMITY

We declare under our sole responsibility that Cordless Radio, identified by type and specific identification code \*1), is in conformity with all relevant requirements of the directives \*2) and standards \*3). Technical file at \*4) – See below. The European Standard Manager at the representative office in Europe is authorized to compile the technical file. The declaration is applicable to the product affixed CE marking.

\*1) UR18DSDL C351309S

\*2) 2014/30/EU, 2014/35/EU, 2011/65/EU, 2014/53/EU

\*3) EN60065:2014+AC:2016

EN62479:2010

EN55032:2012+AC:2013

EN61000-3-2:2014

EN61000-3-3:2013

EN55020:2007+A12:2016

EN301489-1 V1.9.2

EN301489-17 V2.2.1

EN300328 V2.1.1

Included AC Adaptor is in conformity with COMMISSION REGULATION (EC) No 278/2009 implementing Directive 2005/32/EC amended by 2009/125/EC

\*4) Representative office in Europe

**Hikoki Power Tools Deutschland GmbH**

Siemensring 34, 47877 Willich, Germany

Head office in Japan

**Koki Holdings Co., Ltd.**

Shinagawa Intercity Tower A, 15-1, Konan 2-chome,

Minato-ku, Tokyo, Japan

29. 6. 2018

Naoto Yamashiro

European Standard Manager



29. 6. 2018

A. Nakagawa

Corporate Officer

# Koki Holdings Co., Ltd.