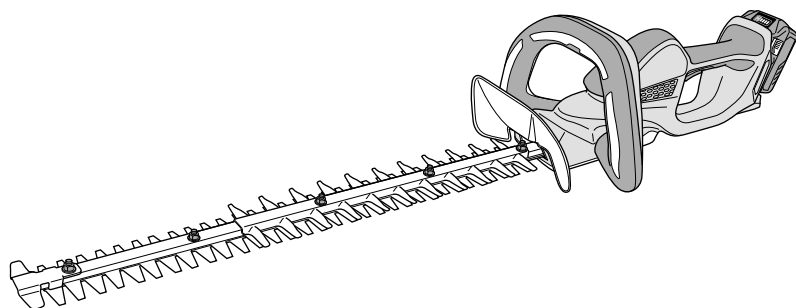


# HIKOKI

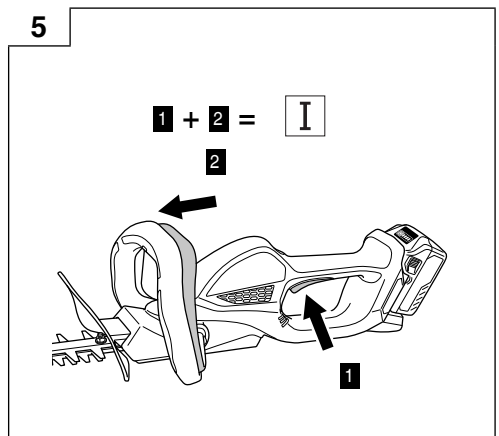
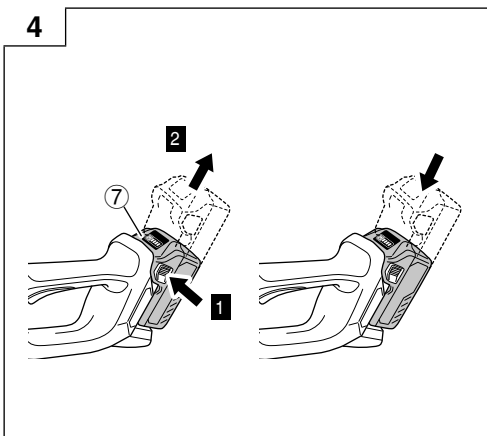
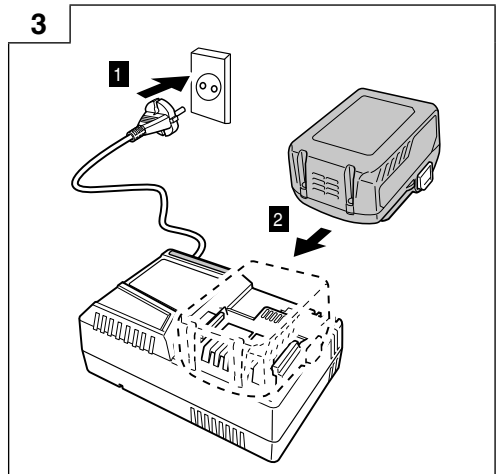
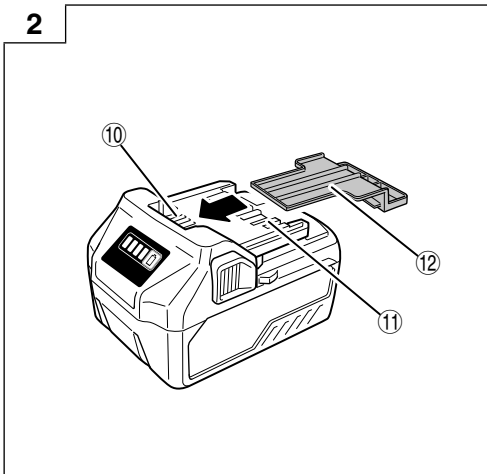
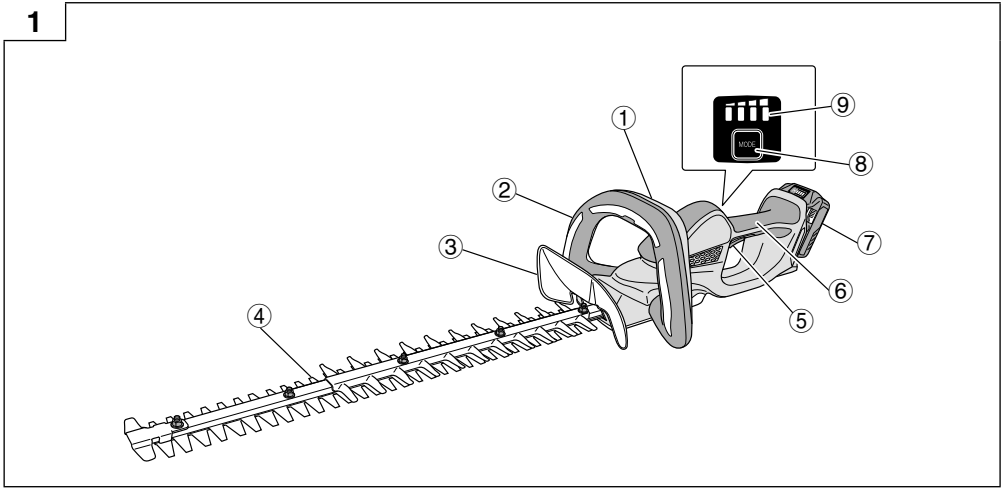
---

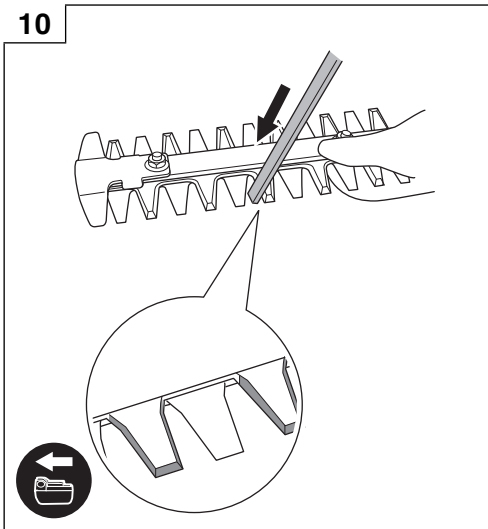
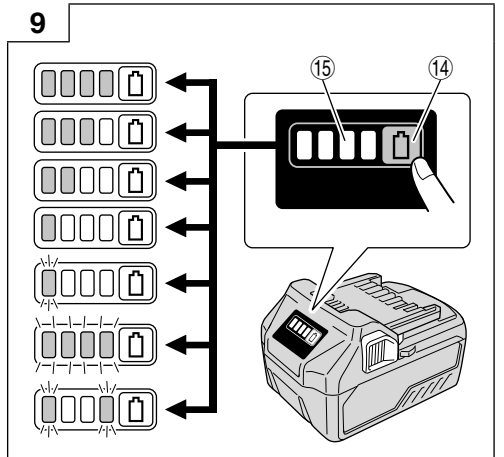
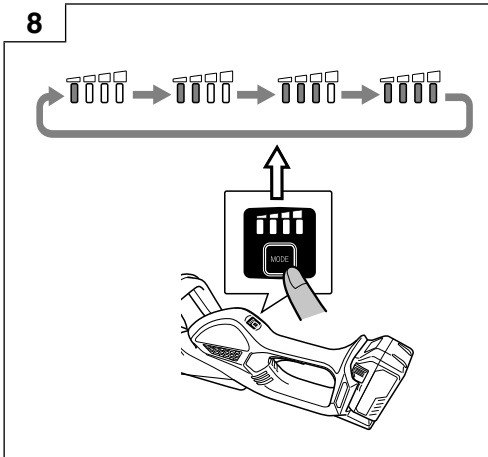
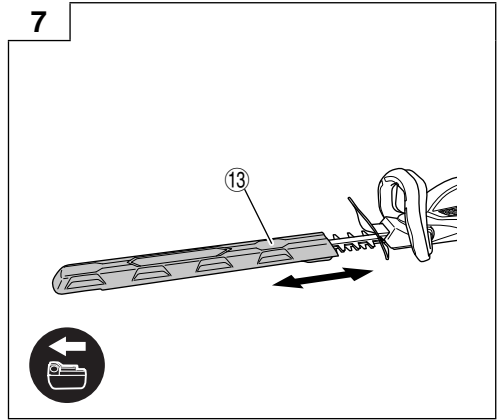
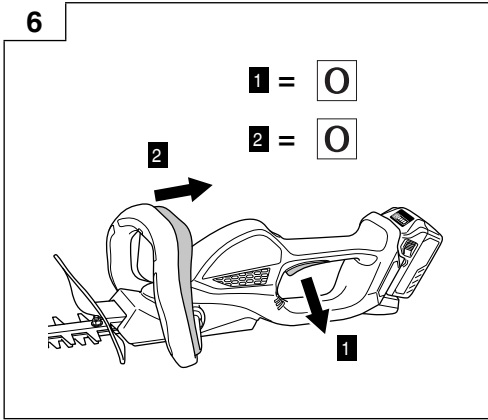
## CH 3656DA

---

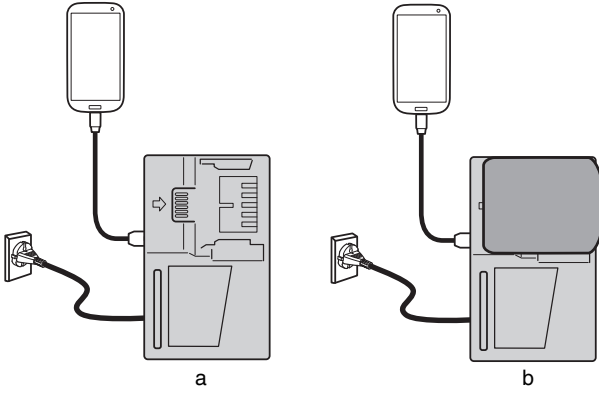


Handling instructions

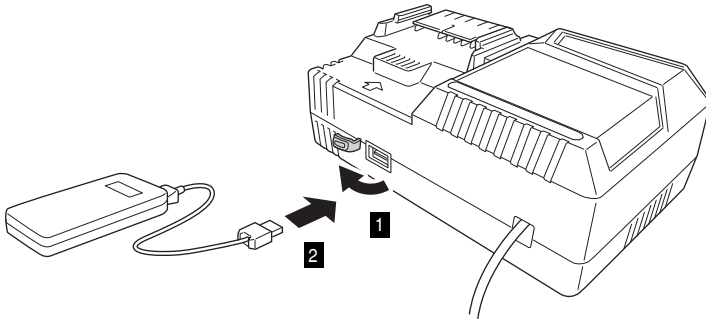




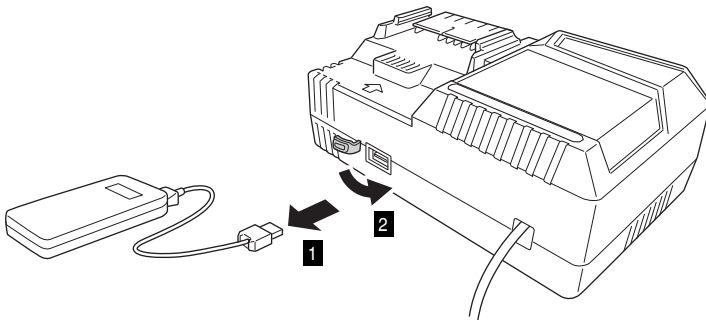
11



12



13



## GENERAL POWER TOOL SAFETY WARNINGS

### WARNING

**Read all safety warnings and all instructions.**

*Failure to follow the warnings and instructions may result in electric shock, fire and/or serious injury.*

**Save all warnings and instructions for future reference.**

*The term "power tool" in the warnings refers to your mains-operated (corded) power tool or battery-operated (cordless) power tool.*

#### 1) Work area safety

##### a) **Keep work area clean and well lit.**

*Cluttered or dark areas invite accidents.*

##### b) **Do not operate power tools in explosive atmospheres, such as in the presence of flammable liquids, gases or dust.**

*Power tools create sparks which may ignite the dust or fumes.*

##### c) **Keep children and bystanders away while operating a power tool.**

*Distractions can cause you to lose control.*

#### 2) Electrical safety

##### a) **Power tool plugs must match the outlet.**

**Never modify the plug in any way.**

**Do not use any adapter plugs with earthed (grounded) power tools.**

*Unmodified plugs and matching outlets will reduce risk of electric shock.*

##### b) **Avoid body contact with earthed or grounded surfaces, such as pipes, radiators, ranges and refrigerators.**

*There is an increased risk of electric shock if your body is earthed or grounded.*

##### c) **Do not expose power tools to rain or wet conditions.**

*Water entering a power tool will increase the risk of electric shock.*

##### d) **Do not abuse the cord. Never use the cord for carrying, pulling or unplugging the power tool. Keep cord away from heat, oil, sharp edges or moving parts.**

*Damaged or entangled cords increase the risk of electric shock.*

##### e) **When operating a power tool outdoors, use an extension cord suitable for outdoor use.**

*Use of a cord suitable for outdoor use reduces the risk of electric shock.*

##### f) **If operating a power tool in a damp location is unavoidable, use a residual current device (RCD) protected supply.**

*Use of an RCD reduces the risk of electric shock.*

#### 3) Personal safety

##### a) **Stay alert, watch what you are doing and use common sense when operating a power tool.**

**Do not use a power tool while you are tired or under the influence of drugs, alcohol or medication.**

*A moment of inattention while operating power tools may result in serious personal injury.*

##### b) **Use personal protective equipment. Always wear eye protection.**

*Protective equipment such as dust mask, non-skid safety shoes, hard hat, or hearing protection used for appropriate conditions will reduce personal injuries.*

##### c) **Prevent unintentional starting. Ensure the switch is in the off position before connecting to power source and/or battery pack, picking up or carrying the tool.**

*Carrying power tools with your finger on the switch or energising power tools that have the switch on invites accidents.*

##### d) **Remove any adjusting key or wrench before turning the power tool on.**

*A wrench or a key left attached to a rotating part of the power tool may result in personal injury.*

##### e) **Do not overreach. Keep proper footing and balance at all times.**

*This enables better control of the power tool in unexpected situations.*

##### f) **Dress properly. Do not wear loose clothing or jewellery. Keep your hair, clothing and gloves away from moving parts.**

*Loose clothes, jewellery or long hair can be caught in moving parts.*

##### g) **If devices are provided for the connection of dust extraction and collection facilities, ensure these are connected and properly used.**

*Use of dust collection can reduce dust-related hazards.*

#### 4) Power tool use and care

##### a) **Do not force the power tool. Use the correct power tool for your application.**

*The correct power tool will do the job better and safer at the rate for which it was designed.*

##### b) **Do not use the power tool if the switch does not turn it on and off.**

*Any power tool that cannot be controlled with the switch is dangerous and must be repaired.*

##### c) **Disconnect the plug from the power source and/or the battery pack from the power tool before making any adjustments, changing accessories, or storing power tools.**

*Such preventive safety measures reduce the risk of starting the power tool accidentally.*

##### d) **Store idle power tools out of the reach of children and do not allow persons unfamiliar with the power tool or these instructions to operate the power tool.**

*Power tools are dangerous in the hands of untrained users.*

##### e) **Maintain power tools. Check for misalignment or binding of moving parts, breakage of parts and any other condition that may affect the power tool's operation.**

**If damaged, have the power tool repaired before use.**

*Many accidents are caused by poorly maintained power tools.*

##### f) **Keep cutting tools sharp and clean.**

*Properly maintained cutting tools with sharp cutting edges are less likely to bind and are easier to control.*

##### g) **Use the power tool, accessories and tool bits etc. in accordance with these instructions, taking into account the working conditions and the work to be performed.**

*Use of the power tool for operations different from those intended could result in a hazardous situation.*

#### 5) Battery tool use and care

##### a) **Recharge only with the charger specified by the manufacturer.**

*A charger that is suitable for one type of battery pack may create a risk of fire when used with another battery pack.*

##### b) **Use power tools only with specifically designated battery packs.**

*Use of any other battery packs may create a risk of injury and fire.*

- c) **When battery pack is not in use, keep it away from other metal objects, like paper clips, coins, keys, nails, screws or other small metal objects, that can make a connection from one terminal to another.**

*Shorting the battery terminals together may cause burns or a fire.*

- d) **Under abusive conditions, liquid may be ejected from the battery; avoid contact. If contact accidentally occurs, flush with water. If liquid contacts eyes, additionally seek medical help.**

*Liquid ejected from the battery may cause irritation or burns.*

#### 6) Service

- a) **Have your power tool serviced by a qualified repair person using only identical replacement parts.**

*This will ensure that the safety of the power tool is maintained.*

#### PRECAUTION

**Keep children and infirm persons away. When not in use, tools should be stored out of reach of children and infirm persons.**

### HEDGE TRIMMER SAFETY WARNINGS

- **Keep all parts of the body away from the cutter blade. Do not remove cut material or hold material to be cut when blades are moving. Make sure the switch is off when clearing jammed material.** A moment of inattention while operating the hedge trimmer may result in serious personal injury.
- **Carry the hedge trimmer by the handle with the cutter blade stopped. When transporting or storing the hedge trimmer always fit the cutting device cover.**  
Proper handling of the hedge trimmer will reduce possible personal injury from the cutter blades.
- **Hold power tool by insulated gripping surfaces only, because the cutter blade may contact hidden wiring.** Cutter blades contacting a "live" wire may make exposed metal parts of the power tool "live" and could give the operator an electric shock.
- **Keep cable away from cutting area.** During operation the cable may be hidden in shrubs and can be accidentally cut by the blade.

### PRECAUTIONS FOR CORDLESS HEDGE TRIMMER

1. Before starting work make sure there are no power cables in the work area. The blade could come into contact with the power cable causing electric shock, ground faults and other accidents.
2. Hold the tool firmly with both hands during use to prevent injury.
3. Keep your hands and all parts of the body away from the blade to prevent contact that could lead to injury.
4. Make sure the blade and all accessories are properly installed. Improper installation could cause the blade or accessories to come loose resulting in an injury.
5. Make sure the blade is not cracked, deformed or excessively worn before starting work. Do not use a blade in this condition as it could break and cause injury.
6. Do not use the tool to cut wire, metal plates or other hard objects. The tool could be damaged and cause injury.
7. If the tool does not work normally and is producing strange noise, turn it off immediately and have it inspected and repaired.

8. If the tool falls or strikes against an object, check the blade and the body for damage, cracking and deformation. Use of a damaged, deformed or cracked blade could result in injury.
9. Do not disassemble the blade. This may result in injury.
10. This product generates vibration during operation. This makes long continuous work physically strenuous so avoid a poor work posture and be sure to take frequent rests. Also during short work periods, stop work immediately to take a rest when your fingers, hands, arms or shoulders become tired.
11. Use gloves, or cloth to protect your hands when handling the blade. Careless handling may lead to injury.
12. Do not expose the blade to excessive pressure during cutting as the blade could be damaged.
13. The blade is extremely hot after cutting. Do not touch it to prevent burn injuries.
14. When working in high places, make sure that no one is standing below. They could be injured should you accidentally drop the tool or other object.
15. To prevent unforeseen accidents, never leave the tool running unattended on a stand or on the floor.
16. Do not expose the tool to insecticide and other chemicals. Such chemicals could cause cracking and other damage.
17. Do not secure the front switch or trigger switch pulled. If you pull it by mistake, the unit may work suddenly, causing injury.
18. Do not use the product if the tool or the battery terminals (battery mount) are deformed. Installing the battery could cause a short circuit that could result in smoke emission or ignition.
19. Keep the tool's terminals (battery mount) free of swarf and dust.
  - Prior to use, make sure that swarf and dust have not collected in the area of the terminals.
  - During use, try to avoid swarf or dust on the tool from falling on the battery.
  - When suspending operation or after use, do not leave the tool in an area where it may be exposed to falling swarf or dust. Doing so could cause a short circuit that could result in smoke emission or ignition.

### ADDITIONAL SAFETY WARNINGS

#### When removing the blade case

##### WARNING

Be sure to turn the tool off and remove the battery from the tool before attaching and removing the blade case.

##### CAUTION

To prevent injury, take care when placing the blade in the blade case.

#### When changing speed

##### NOTE

The battery must be mounted to the main body and the trigger of the main handle must be pulled otherwise the LED will not light up, even though the selector button is pressed.

#### During use

##### WARNING

- To prevent accidents, make sure there are no people in the work area.
- Use protective goggles during work to prevent injury from twigs and wood chips.
- Do not use tool to cut wire, metal plates or other hard objects. The tool could be damaged and cause injury.

##### CAUTION

- Use a pair of pruning shears to cut thick branches before using the hedge trimmer. Do not force the tool to prevent it from breaking.

- Stop the tool immediately if the blade stalls against a too heavy branch. Do not allow the motor to seize up as it could damage the motor.
- Use a sturdy ladder or step ladder when cutting tall garden trees.
- Use only for cutting shrub.

#### NOTE

- Lubricate (using sewing machine oil, mineral oil, etc.) the blade before starting and then every hour. Use an adequate amount of oil and wipe away excess oil.
- During work (for example, when taking rests) do not leave the tool in a place exposed to direct sunlight or high temperature. This will prevent proper cooling and could result in damage.
- Do not use the tool for work that exceeds its capacity. Such operation could cause the motor to lock up or slow down and will damage it.
- Do not use the tool for cutting the lawn or weeds. Grass or weeds could stick to the blade.
- Cut thick branches by gently pressing the blades against the branch.

## PRECAUTIONS FOR BATTERY AND CHARGER

1. Always charge the battery at an ambient temperature of -10–40°C. A temperature of less than -10°C will result in over charging which is dangerous. The battery cannot be charged at a temperature greater than 40°C. The most suitable temperature for charging is that of 20–25°C.
2. Do not use the charger continuously. When one charging is completed, leave the charger for about 15 minutes before the next charging of battery.
3. Do not allow foreign matter to enter the hole for connecting the rechargeable battery.
4. Never disassemble the rechargeable battery or charger.
5. Never short-circuit the rechargeable battery. Short-circuiting the battery will cause a great electric current and overheat. It results in burn or damage to the battery.
6. Do not dispose of the battery in fire. If the battery is burnt, it may explode.
7. Using an exhausted battery will damage the charger.
8. Bring the battery to the shop from which it was purchased as soon as the post-charging battery life becomes too short for practical use. Do not dispose of the exhausted battery.
9. Do not insert objects into the air ventilation slots of the charger. Inserting metal objects or flammable into the charger air ventilation slots will result in an electrical shock hazard or damage to the charger.

## CAUTION ON LITHIUM-ION BATTERY

To extend the lifetime, the lithium-ion battery equips with the protection function to stop the output.

In the cases of 1 to 3 described below, when using this product, even if you are pulling the switch, the motor may stop. This is not the trouble but the result of protection function.

1. When the battery power remaining runs out, the motor stops. In such a case, charge it up immediately.
2. If the tool is overloaded, the motor may stop. In this case, release the switch of tool and eliminate causes of overloading. After that, you can use it again.
3. If the battery is overheated under overload work, the battery power may stop. In this case, stop using the battery and let the battery cool. After that, you can use it again.

Furthermore, please heed the following warning and caution.  
**WARNING**

In order to prevent any battery leakage, heat generation, smoke emission, explosion and ignition beforehand, please be sure to heed the following precautions.

1. Make sure that swarf and dust do not collect on the battery.
- During work make sure that swarf and dust do not fall on the battery.
- Make sure that any swarf and dust falling on the power tool during work do not collect on the battery.
- Do not store an unused battery in a location exposed to swarf and dust.
- Before storing a battery, remove any swarf and dust that may adhere to it and do not store it together with metal parts (screws, nails, etc.).
2. Do not pierce battery with a sharp object such as a nail, strike with a hammer, step on, throw or subject the battery to severe physical shock.
3. Do not use an apparently damaged or deformed battery.
4. Do not use the battery in reverse polarity.
5. Do not connect directly to an electrical outlets or car cigarette lighter sockets.
6. Do not use the battery for a purpose other than those specified.
7. If the battery charging fails to complete even when a specified recharging time has elapsed, immediately stop further recharging.
8. Do not put or subject the battery to high temperatures or high pressure such as into a microwave oven, dryer, or high pressure container.
9. Keep away from fire immediately when leakage or foul odor are detected.
10. Do not use in a location where strong static electricity generates.
11. If there is battery leakage, foul odor, heat generated, discolored or deformed, or in any way appears abnormal during use, recharging or storage, immediately remove it from the equipment or battery charger, and stop use.
12. Do not immerse the battery or allow any fluids to flow inside. Conductive liquid ingress, such as water, can cause damage resulting in fire or explosion. Store your battery in a cool, dry place, away from combustible and flammable items. Corrosive gas atmospheres must be avoided.

#### CAUTION

1. If liquid leaking from the battery gets into your eyes, do not rub your eyes and wash them well with fresh clean water such as tap water and contact a doctor immediately. If left untreated, the liquid may cause eye-problems.
2. If liquid leaks onto your skin or clothes, wash well with clean water such as tap water immediately. There is a possibility that this can cause skin irritation.
3. If you find rust, foul odor, overheating, discolor, deformation, and/or other irregularities when using the battery for the first time, do not use and return it to your supplier or vendor.

#### WARNING

If an electrically conductive foreign object enters the terminals of the lithium ion battery, a short-circuit may occur resulting in the risk of fire. Please observe the following matters when storing the battery.

- **Do not place electrically conductive cuttings, nails, steel wire, copper wire or other wire in the storage case.**
- **Either install the battery in the power tool or store by securely pressing into the battery cover until the ventilation holes are concealed to prevent short-circuits (See Fig. 2).**

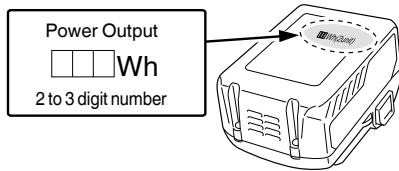
## REGARDING LITHIUM-ION BATTERY TRANSPORTATION

When transporting a lithium-ion battery, please observe the following precautions.

### WARNING

Notify the transporting company that a package contains a lithium-ion battery, inform the company of its power output and follow the instructions of the transportation company when arranging transport.

- Lithium-ion batteries that exceed a power output of 100Wh are considered to be in the freight classification of Dangerous Goods and will require special application procedures.
- For transportation abroad, you must comply with international law and the rules and regulations of the destination country.



## DESCRIPTION OF NUMBERED ITEMS (Fig. 1 – Fig. 9)

|   |                                |
|---|--------------------------------|
| ① | Sub Switch                     |
| ② | Sub Handle                     |
| ③ | Protector                      |
| ④ | Blade                          |
| ⑤ | Trigger                        |
| ⑥ | Main Handle                    |
| ⑦ | Battery                        |
| ⑧ | Selector switch                |
| ⑨ | Stroke speed indicator lamp    |
| ⑩ | Ventilation holes              |
| ⑪ | Terminals                      |
| ⑫ | Battery cover                  |
| ⑬ | Blade case                     |
| ⑭ | Battery level indicator switch |
| ⑮ | Battery level indicator lamp   |

## USB DEVICE CONNECTION PRECAUTIONS (UC18YSL3)

When an unexpected problem occurs, the data in a USB device connected to this product may be corrupted or lost. Always make sure to back up any data contained in the USB device prior to use with this product.

Please be aware that our company accepts absolutely no responsibility for any data stored in a USB device that is corrupted or lost, nor for any damage that may occur to a connected device.

### WARNING

- Prior to use, check the connecting USB cable for any defect or damage. Using a defective or damaged USB cable can cause smoke emission or ignition.
- When the product is not being used, cover the USB port with the rubber cover. Buildup of dust etc. in the USB port can cause smoke emission or ignition.

### NOTE

- There may be an occasional pause during USB recharging.
- When a USB device is not being charged, remove the USB device from the charger. Failure to do so may not only reduce the battery life of a USB device, but may also result in unexpected accidents.
- It may not be possible to charge some USB devices, depending on the type of device.

## SYMBOLS




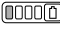



### WARNING

The following show symbols used for the machine. Be sure that you understand their meaning before use.

|  |   |
|--|---|
|  | CH3656DA: Cordless Hedge Trimmer  |
|  | To reduce the risk of injury, user must read instruction manual.                          |
|  | Do not use a power tool in the rain and moisture or leave it outdoors when it is raining. |
|  | Switching ON  |
|  | Switching OFF   |
|  | Removing the battery  |
|  | Selector button   |
|  | 1 LED illuminated: 1000 /min  |
|  | 2 LEDs illuminated: 1170 /min   |
|  | 3 LEDs illuminated: 1330 /min   |
|  | 4 LEDs illuminated: 1500 /min   |



## Battery

|  |  |
|--|--|
|  | Lights ;<br>The battery remaining power is over 75%.   |
|  | Lights ;<br>The battery remaining power is 50% – 75%.  |
|  | Lights ;<br>The battery remaining power is 25% – 50%.  |
|  | Lights ;<br>The battery remaining power is less than 25%.  |
|  | Blinks ;<br>The battery remaining power is nearly empty.<br>Recharge the battery soonest possible.                           |
|  | Blinks ;<br>Output suspended due to high temperature.<br>Remove the battery from the tool and allow it to fully cool down.   |
|  | Blinks ;<br>Output suspended due to failure or malfunction.<br>The problem may be the battery so please contact your dealer. |

## STANDARD ACCESSORIES

In addition to the main unit, the package contains the accessories listed on page 14.  
Standard accessories are subject to change without notice.

## APPLICATIONS

- Fine trimming hedges
- Trimming and pruning garden trees

## SPECIFICATIONS

### 1. Power tool

|  |                                 |
|--|---------------------------------|
| Model  | CH3656DA                        |
| Voltage  | 36 V                            |
| No-load speed  | 1000 – 1500 /min                |
| Blade size (Trimming width)                                  | 560 mm                          |
| Battery available for this tool*                             | BSL36A18                        |
| Weight   | 4.1 kg (With BSL36A18 attached) |
| Continuous operating time (depending on the work conditions) | Approx. 62.5 minutes            |

\* Existing batteries (BSL3660/3620/3626, BSL18xx series, etc.) cannot be used with this tool.

### 2. Battery

|                               |   |
|-------------------------------|---|
| Model                         | BSL36A18                                  |
| Voltage                       | 36 V / 18 V (Automatic Switching*)        |
| Battery capacity              | 2.5 Ah / 5.0 Ah<br>(Automatic Switching*) |
| Available cordless products** | Multi volt series, 18V product            |
| Available charger             | Sliding charger for lithium ion batteries |

\* The tool itself will automatically switch over.

\*\* Please see our general catalogue for details.

### 3. Charger

|                  |               |
|------------------|---------------|
| Model            | UC18YSL3      |
| Charging voltage | 14.4 V – 18 V |
| Weight           | 0.6 kg        |

## NOTE

Due to HiKOKI's continuing program of research and development, the specifications herein are subject to change without prior notice.

## CHARGING

Before using the power tool, charge the battery as follows.

- 1. Connect the charger's power cord to the receptacle.**  
When connecting the plug of the charger to a receptacle, the charge indicator lamp will blink in red (At 1-second intervals).
- 2. Insert the battery into the charger.**  
Firmly insert the battery into the charger as shown in **Fig. 3** (on page 2).
- 3. Charging**

When inserting a battery in the charger, the charge indicator lamp will blink in blue.

When the battery becomes fully recharged, the charge indicator lamp will light up in green. (See **Table 1**)

- (1) Charge indicator lamp indication

The indications of the charge indicator lamp will be as shown in **Table 1**, according to the condition of the charger or the rechargeable battery.

**Table 1**

| Indications of the charge indicator lamp            |                     |                   |   |   |
|---|---------------------|-------------------|---|---|
| Charge indicator lamp (RED / BLUE / GREEN / PURPLE) | Before charging     | Blinks (RED)      | Lights for 0.5 seconds. Does not light for 0.5 seconds. (off for 0.5 seconds)   | Plugged into power source   |
|   | While charging      | Blinks (BLUE)     | Lights for 0.5 seconds. Does not light for 1 second. (off for 1 second)   | Battery capacity at less than 50%   |
|   |                     | Blinks (BLUE)     | Lights for 1 second. Does not light for 0.5 seconds. (off for 0.5 seconds)  | Battery capacity at less than 80%   |
|   |                     | Lights (BLUE)     | Lights continuously   | Battery capacity at more than 80%   |
|   | Charging complete   | Lights (GREEN)    | Lights continuously<br>(Continuous buzzer sound: about 6 seconds)   |   |
|   | Overheat standby    | Blinks (RED)      | Lights for 0.3 seconds. Does not light for 0.3 seconds. (off for 0.3 seconds)   | Battery overheated. Unable to charge. (Charging will commence when battery cools) |
|   | Charging impossible | Flickers (PURPLE) | Lights for 0.1 seconds. Does not light for 0.1 seconds. (off for 0.1 seconds)<br>(Intermittent buzzer sound: about 2 seconds) | Malfunction in the battery or the charger   |

(2) Regarding the temperatures and charging time of the rechargeable battery  
The temperatures and charging time will become as shown in **Table 2**.

**Table 2**

| Charger |  | UC18YSL3  |  |   |  |               |                                 |
|---------|--|---|--|---|--|---------------|---------------------------------|
| Battery | Type of battery                                    | Li-ion  |  |   |  |               |                                 |
|         | Temperatures at which the battery can be recharged | -10°C – 50°C  |  |   |  |               |                                 |
|         | Charging voltage                                   | V   | 14.4   |   | 18   |               |                                 |
|         | Charging time, approx. (At 20°C)                   | min.  | BSL14xx series   |   | BSL18xx series   |               | Multi volt series<br>(10 cells) |
|         |  |   | (4 cells)  | (8 cells)   | (5 cells)  | (10 cells)    |                                 |
|         |  | BSL1415S : 15<br>BSL1415 : 15<br>BSL1415X : 15<br>BSL1420 : 20<br>BSL1425 : 25<br>BSL1430C : 30 | BSL1430 : 20<br>BSL1440 : 26<br>BSL1450 : 32<br>BSL1460 : 38 | BSL1815S : 15<br>BSL1815 : 15<br>BSL1815X : 15<br>BSL1820 : 20<br>BSL1825 : 25<br>BSL1830C : 30 | BSL1830 : 20<br>BSL1840 : 26<br>BSL1850 : 32<br>BSL1860 : 38 | BSL36A18 : 32 |                                 |
| USB     | Charging voltage                                   | V   | 5  |   |  |               |                                 |
|         | Charging current                                   | A   | 2  |   |  |               |                                 |

**NOTE**

The recharging time may vary according to the ambient temperature and power source voltage.

**4. Disconnect the charger's power cord from the receptacle.**

**5. Hold the charger firmly and pull out the battery.**

**NOTE**

Be sure to pull out the battery from the charger after use, and then keep it.

**Regarding electric discharge in case of new batteries, etc.**

As the internal chemical substance of new batteries and batteries that have not been used for an extended period is not activated, the electric discharge might be low when using them the first and second time. This is a temporary phenomenon, and normal time required for recharging will be restored by recharging the batteries 2 – 3 times.

**How to make the batteries perform longer.**

- Recharge the batteries before they become completely exhausted.  
When you feel that the power of the tool becomes weaker, stop using the tool and recharge its battery. If you continue to use the tool and exhaust the electric current, the battery may be damaged and its life will become shorter.
- Avoid recharging at high temperatures.  
A rechargeable battery will be hot immediately after use. If such a battery is recharged immediately after use, its internal chemical substance will deteriorate, and the battery life will be shortened. Leave the battery and recharge it after it has cooled for a while.

## CAUTION

- If the battery is charged while it is heated because it has been left for a long time in a location subject to direct sunlight or because the battery has just been used, the charge indicator lamp of the charger lights for 0.3 seconds, does not light for 0.3 seconds (off for 0.3 seconds). In such a case, first let the battery cool, then start charging.
- When the charge indicator lamp flickers (at 0.2-second intervals), check for and take out any foreign objects in the charger's battery connector. If there are no foreign objects, it is probable that the battery or charger is malfunctioning. Take it to your authorized Service Center.
- Since the built-in micro computer takes about 3 seconds to confirm that the battery being charged with UC18YSL3 is taken out, wait for a minimum of 3 seconds before reinserting it to continue charging. If the battery is reinserted within 3 seconds, the battery may not be properly charged.

## MOUNTING AND OPERATION

| Action   | Figure | Page |
|--|--------|------|
| Inserting the battery cover                                | 2      | 2    |
| Charging   | 3      | 2    |
| Removing and inserting the battery                         | 4      | 2    |
| Switch ON  | 5      | 2    |
| Switch OFF   | 6      | 3    |
| Blade case   | 7      | 3    |
| Speed adjustment   | 8      | 3    |
| Battery level  | 9      | 3    |
| Sharpening the blade                                       | 10     | 3    |
| Charging a USB device from a electrical outlet             | 11-a   | 4    |
| Charging a USB device and battery from a electrical outlet | 11-b   | 4    |
| How to recharge USB device                                 | 12     | 4    |
| When charging of USB device is completed                   | 13     | 4    |
| Selecting accessories                                      | —      | 15   |

## ABOUT USB DEVICE

- Charging a USB device from an electrical outlet. (Fig. 11-a)
- Charging a USB device and battery from an electrical outlet. (Fig. 11-b)
- How to recharge USB device. (Fig. 12)
- When charging of USB device is completed. (Fig. 13)

## MAINTENANCE AND INSPECTION

### WARNING

- Be sure to turn the tool off and remove the battery from the tool before making inspections or carrying out maintenance.
- Do not disassemble to blade. Failure to heed this warning may result in injury.
- Use gloves, or cloth to protect your hands when handling the blade. Failure to heed this warning may result in injury.

### 1. Sharpening the blade (Fig. 10)

Move an iron file in the direction of the arrow for a rough sharpening then use an oil stone to give the blade a good finish.

- (1) Use a fine iron file or one of intermediate coarseness.
- (2) Coat the oil stone with machine oil (bicycle oil or the like).
- (3) Use a whetstone to gently remove any burrs from the back of the blade edge.

### When to sharpen the blade

While this will vary the type of trees that are trimmed and how often it is used, it is a good idea to sharpen the blade about once a year to maintain a sharp edge.

### NOTE

Do not use water for cleaning the blade to prevent rust or other damage.

### 2. Lubricating the blade

During trimming, sap adhering to the blade edge will increase load and wear down the battery more rapidly. Use machine oil (or bicycle oil or the like) to lubricate the blade and wipe the blade with a cloth. To prevent the blade from rusting, be sure to lubricate the blade after use and when it will not be used for an extended period of time before placing it in the blade case.

### 3. Inspecting the mounting screws

Regularly inspect all mounting screws and ensure that they are properly tightened. Should any of the screws be loose, retighten them immediately. Failure to do so could result in serious hazard.

### 4. Maintenance of the motor

The motor unit winding is the very "heart" of the power tool. Exercise due care to ensure the winding does not become damaged and/or wet with oil or water.

### 5. Inspection of terminals (tool and battery)

Check to make sure that swarf and dust have not collected on the terminals.

On occasion check prior, during and after operation.

### CAUTION

Remove any swarf or dust which may have collected on the terminals.

Failure to do so may result in malfunction.

### 6. Cleaning on the outside

When the hedge trimmer is stained, wipe with a soft dry cloth or a cloth moistened with soapy water. Do not use chloric solvents, gasoline or paint thinner, for they melt plastics.

### 7. Transport of the tool

Remove the battery and attach the blade case to the blade before carrying this tool.

If you carry it without the blade case, the blade may come in contact with your body, causing injury.

### 8. Storage

Store the hedge trimmer in a place in which the temperature is less than 40°C and out of reach of children.

### NOTE

Storing lithium-ion batteries.

Make sure the lithium-ion batteries have been fully charged before storing them.

Prolonged storage (3 months or more) of batteries with a low charge may result in performance deterioration, significantly reducing battery usage time or rendering the batteries incapable of holding a charge.

However, significantly reduced battery usage time may be recovered by repeatedly charging and using the batteries two to five times.

If the battery usage time is extremely short despite repeated charging and use, consider the batteries dead and purchase new batteries.

## CAUTION

In the operation and maintenance of power tools, the safety regulations and standards prescribed in each country must be observed.

### Important notice on the batteries for the HiKOKI cordless power tools

Please always use one of our designated genuine batteries. We cannot guarantee the safety and performance of our cordless power tool when used with batteries other than these designated by us, or when the battery is disassembled and modified (such as disassembly and replacement of cells or other internal parts).

## NOTE

Due to HiKOKI's continuing program of research and development, the specifications herein are subject to change without prior notice.

## TROUBLESHOOTING

Use the inspections in the table below if the tool does not operate normally. If this does not remedy the problem, consult your dealer or the HiKOKI Authorized Service Center.


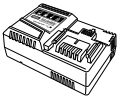
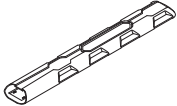

### 1. Power tool

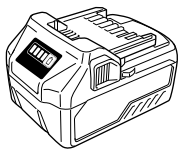
| Symptom                  | Possible cause   | Remedy  |
|--------------------------|--|---|
| Tool doesn't operate.    | No remaining battery power   | Charge the battery.   |
|                          | The battery has not been properly installed.   | Remove the storage battery from the battery compartment in the tool and check for foreign matter. Also check the battery electrodes for soiling. Make sure that the battery is pressed in until it clicks into place.   |
|                          | Foreign matter is lodged in the blade.   | When there is foreign matter in the blade, remove the battery and use a pair of tongs or similar tool to remove it.<br>Take great care since the tool may start operating when the foreign matter has been removed.<br>Sap or rust may also prevent the blade from operating. Use a wire brush or similar tool to remove sap or rust. |
|                          | The tool has been used for heavy work.   | This is the effect of a function that protects the battery by turning off the motor when the tool is exposed to an excessive load. Release the switch and remove what caused the excessive load and pull back the switch to resume work.  |
| Tool does not trim well. | The blade has become dull.   | Use a wire brush or other tool to remove sap and rust and use a file or whetstone to sharpen the blade. If these efforts fail to make the blade sharper, the blade has reached the end of its service life. Replace the blade with a new one.   |
|                          | The blade stopped because it was used to cut a branch whose width exceeded the blade's cutting capacity.<br><b>NOTE</b><br>Work that will repeatedly cause the blade to stop will eventually damage the motor. | Some garden trees have wood that is very hard and may be beyond the capacity of the tool even if it is of a width that is within normal capacity. Use a pair of pruning shear to remove thick branches before starting work.  |
|                          |  | An oblique cut may also exceed the capacity of the tool since the length of the cut increases. Be sure to trim thick branches at right angles.  |

| Symptom                     | Possible cause  | Remedy   |
|-----------------------------|---|--|
| Tool suddenly stopped       | Tool was overburdened   | Get rid of the problem causing the overburden. |
|                             | The battery is overheated.  | Let the battery cool down.                     |
| Battery cannot be installed | Attempting to install a battery other than that specified for the tool. | Please install a multi volt type battery.      |

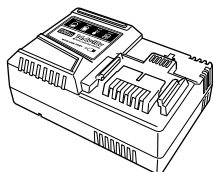
## 2. Charger

| Symptom  | Possible cause  | Remedy  |
|--|---|---|
| The charge indicator lamp is rapidly blinking purple, and battery charging doesn't begin.                        | The battery is not inserted all the way.  | Insert the battery firmly.  |
|  | There is foreign matter in the battery terminal or where the battery is attached.   | Remove the foreign matter.  |
| The charge indicator lamp blinks red, and battery charging doesn't begin.  | The battery is not inserted all the way.  | Insert the battery firmly.  |
|  | The battery is overheated.  | If left alone, the battery will automatically begin charging if its temperature decreases, but this may reduce battery life. It is recommended that the battery be cooled in a well-ventilated location away from direct sunlight before charging it. |
| Battery usage time is short even though the battery is fully charged.  | The battery's life is depleted.   | Replace the battery with a new one.   |
| The battery takes a long time to charge.   | The temperature of the battery, the charger, or the surrounding environment is extremely low.                                   | Charge the battery indoors or in another warmer environment.  |
|  | The charger's vents are blocked, causing its internal components to overheat.   | Avoid blocking the vents.   |
|  | The cooling fan is not running.   | Contact a HiKOKI Authorized Service Center for repairs.   |
| The USB power lamp has switched off and the USB device has stopped charging.                                     | The battery's capacity has become low.  | Replace the battery with one that has capacity remaining.   |
|  |   | Plug the charger's power plug into an electric socket.  |
| USB power lamp does not switch off even though the USB device has finished charging.                             | The USB power lamp lights up green to indicate that USB charging is possible.   | This is not a malfunction.  |
| It is unclear what the charging status of a USB device is, or whether its charging is complete.                  | The USB power lamp does not switch off even when charging is complete.  | Examine the USB device that is charging to confirm its charging status.   |
| Charging of a USB device pauses midway.  | The charger was plugged into an electrical socket while the USB device was being charged using the battery as the power source. | This is not a malfunction. The charger pauses USB charging for about 5 seconds when it is differentiating between power sources.  |
|  | A battery was inserted into the charger while the USB device was being charged using a power socket as the power source.        |   |
| Charging of the USB device pauses midway when the battery and the USB device are being charged at the same time. | The battery has become fully charged.   | This is not a malfunction. The charger pauses USB charging for about 5 seconds while it checks whether the battery has successfully completed charging.   |
| Charging of the USB device doesn't start when the battery and the USB device are being charged at the same time. | The remaining battery capacity is extremely low.  | This is not a malfunction. When the battery capacity reaches a certain level, USB charging automatically begins.  |

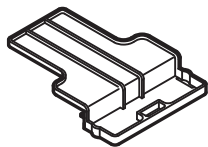
|                  |  |  |  |  |
|------------------|---|--|--|---|
| CH3656DA         | 1   | 1  | 1  | 1   |
| CH3656DA<br>(NN) | -   | -  | 1  | -   |



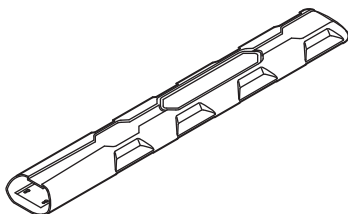
BSL36A18



UC18YSL3  
(14.4V – 18V)



329897



335011

# Koki Holdings Co., Ltd.

Shinagawa Intercity Tower A, 15-1, Konan 2-chome,  
Minato-ku, Tokyo, Japan