

Cat. No.  
**M18 TP**

## **M18™ TRANSFER PUMP**

 **WARNING**

To reduce the risk of injury, user must read and understand operator's manual.



## GENERAL PUMP SAFETY WARNINGS

**WARNING** Read all safety warnings, instructions, illustrations and specifications provided with the pump. Failure to follow all instructions listed below may result in electric shock, fire and/or serious injury. Save all warnings and instructions for future reference.

### PUMP USE AND CARE

- Do not place pump under water or in wet areas. Place pump in dry locations only.
- Risk of Electric Shock. Do NOT connect conduit to pump.
- This pump has been evaluated for use with clear water only. It is not designated to handle salt water, brine, laundry discharge, or any other application which may contain caustic chemicals and/or foreign material. This pump is not suitable for use with aquatic life. Pump damage or failure could occur if used in these applications and will void the warranty.
- Do not pump flammable or explosive fluids such as gasoline, fuel oil, kerosene, etc. Do not use in a flammable and/or explosive atmosphere. Personal injury and/or death could result.
- Not for potable water or other potable liquids.
- Do not pump water with a temperature over 60°C (140°F). Do not pump sand, particulate, or large debris. Damage to the pump will occur.
- Do not allow pump to run dry for more than 10 seconds. Turn off pump quickly when job is complete. Damage to the pump could occur.
- Do not allow this pump to operate unattended. Failure to follow this warning could result in personal injury and/or death.
- Do not pump water from a creek, pond, or source where foreign objects may be sucked into the pump. Solids may enter the inlet hose.
- Always remove battery pack before attempting to install or service the pump. Never handle pump with wet hands or when standing on a wet or damp surface or in water. Fatal electrical shock could occur.
- Secure the discharge hose before starting the pump. An unsecured discharge hose may whip. Personal injury and/or death could result.
- Do not use the pump if the switch does not turn it on and off. Any pump that cannot be controlled with the switch is dangerous and must be repaired.
- Always remove battery pack from the pump before making any adjustments, changing accessories, or storing appliance. Such preventive safety measures reduce the risk of starting the appliance accidentally.
- Maintain pump and accessories. Check for misalignment or binding of moving parts, breakage of parts and any other condition that may affect the pump's operation. If damaged, have the pump repaired before use. Accidents can be caused by a poorly maintained pump.
- Keep handles and grasping surfaces dry, clean and free from oil and grease. Slippery handles and grasping surfaces do not allow for safe handling and control of the tool in unexpected situations.

### WORK AREA SAFETY

- Keep work area clean and well lit. Cluttered or dark areas invite accidents.
- Do not operate pump in explosive atmospheres, such as in the presence of flammable liquids,

gases or dust. Motors create sparks which will ignite the dust or fumes.

- Keep bystanders, children, and visitors away while operating pump. Distractions will result in mistakes.
- Indoor use only.

### PERSONAL SAFETY

- Stay alert, watch what you are doing and use common sense when operating this pump. Do not attempt to operate this pump while you are tired or under the influence of drugs, alcohol or medication. A moment of inattention may result in serious personal injury.
- Dress properly. Do not wear loose clothing or jewelry. Contain long hair. Keep your hair, clothing, and gloves away from moving parts. Loose clothes, jewelry, or long hair could be caught in moving parts.
- Do not overreach. Keep proper footing and balance at all times. Proper footing and balance enables better control in unexpected situations.
- Use safety equipment. Always wear eye protection. Dust mask, non-skid safety shoes and hard hat must be used for appropriate conditions.
- Do not let familiarity gained from frequent use of tools allow you to become complacent and ignore tool safety principles. A careless action can cause severe injury within a fraction of a second.

### BATTERY TOOL USE AND CARE

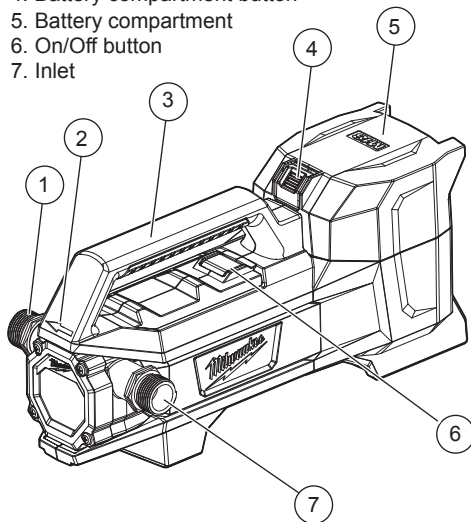
- Recharge only with the charger specified by the manufacturer. A charger that is suitable for one type of battery pack may create a risk of fire when used with another battery pack.
- Use pumps only with specifically designated battery packs. Use of any other battery packs may create a risk of injury and fire.
- When battery pack is not in use, keep it away from other metal objects, like paper clips, coins, keys, nails, screws or other small metal objects, that can make a connection from one terminal to another. Shorting the battery terminals together may cause burns or a fire.
- Under abusive conditions, liquid may be ejected from the battery; avoid contact. If contact accidentally occurs, flush with water. If liquid contacts eyes, additionally seek medical help. Liquid ejected from the battery may cause irritation or burns.
- Do not use a battery pack or tool that is damaged or modified. Damaged or modified batteries may exhibit unpredictable behavior resulting in fire, explosion or risk of injury.
- Do not expose a battery pack or tool to fire or excessive temperature. Exposure to fire or temperature above 130°C (265°F) may cause explosion.
- Follow all charging instructions and do not charge the battery pack or tool outside the temperature range specified in the instructions. Charging improperly or at temperatures outside the specified range may damage the battery and increase the risk of fire.

### SERVICE

- Disconnect the battery pack from pump. Release all pressure within the system before servicing any component.
- Drain all liquids from system before servicing.
- Periodically inspect pump and system components, checking for weak and/or worn hoses. Check impeller for wear or blockage. Ensure all connections are secure.

## FUNCTIONAL DESCRIPTION

1. Outlet
2. Direction of flow indicator
3. Handle
4. Battery compartment button
5. Battery compartment
6. On/Off button
7. Inlet



## SPECIFICATIONS

Cat. No.	M18 TP
Volts	18 DC
Battery Type	M18™
Charger Type	M18™
Max Flow Rate	30.3 L/min
Fittings	13 mm (1/2") NPT male to 19 mm (3/4") BSPT Male
Max Lift	5.5 m (18')
Max Head Height	23 m (75')
Application	
Max Water Temperature	60°C (140°F)
Max Air Temperature	40°C (104°F)

## SYMBOLGY



Volts



Direct Current

n, XXXX min<sup>-1</sup> No Load Revolutions per Minute (RPM)

L/min Litres per Minute

•When servicing a pump, use only identical replacement parts. Follow instructions in the Maintenance section of this manual. Use of unauthorised parts or failure to follow maintenance instructions may create a risk of electrical shock or injury and may void the warranty.

•Do not modify or attempt to repair the pump or the battery pack except as indicated in the instructions for use and care.

•Never service damaged battery packs. Service of battery packs should only be performed by the manufacturer or authorised service providers.

## ADDITIONAL SAFETY RULES

•Maintain labels and nameplates. These carry important information. If unreadable or missing, contact a MILWAUKEE® service facility for a replacement.

•**WARNING** Some dust created by power sanding, sawing, grinding, drilling, and other construction activities contains chemicals known to cause cancer, birth defects or other reproductive harm. Some examples of these chemicals are:

- lead from lead-based paint
  - crystalline silica from bricks and cement and other masonry products, and
  - arsenic and chromium from chemically-treated lumber.
- Your risk from these exposures varies, depending on how often you do this type of work. To reduce your exposure to these chemicals: work in a well ventilated area, and work with approved safety equipment, such as those dust masks that are specially designed to filter out microscopic particles.

•This appliance can be used by children aged from 8 years and above and persons with reduced physical, sensory or mental capabilities or lack of experience and knowledge if they have been given supervision or instruction concerning use of the appliance in a safe way and understand the hazards involved.

•Children shall not play with the appliance.

•Cleaning and user maintenance shall not be made by children without supervision.

## ASSEMBLY

**WARNING** Recharge only with the charger specified for the battery. For specific charging instructions, read the operator's manual supplied with your charger and battery.

### Removing/Inserting the Battery

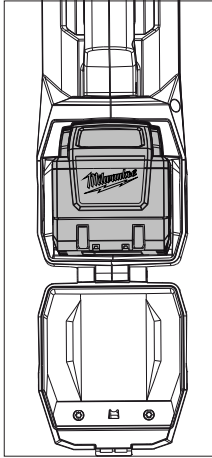
To **remove** the battery:

1. Press battery compartment button and open the battery compartment.
2. Push in the release buttons and pull the battery pack out of the tool.
3. Close the battery compartment securely.

**WARNING** Always **remove battery** before attempting to install, service, or maintain the pump. Never handle a pump with wet hands or when standing on wet or damp surface or in water.

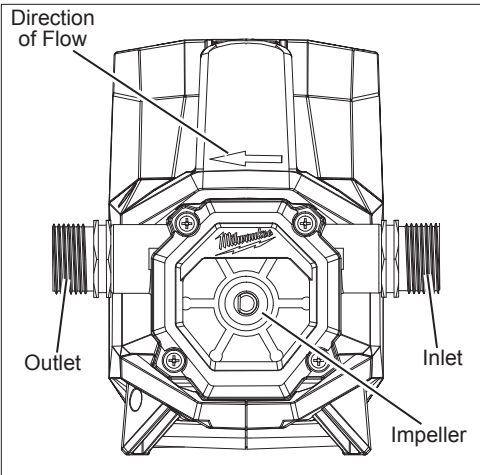
To **insert** the battery:

1. Press the battery compartment button and open the battery compartment.
2. Slide the pack into the tool. Make sure it latches securely into place.
3. Close the battery compartment securely.



### Inlet/Outlet Hoses

- Use hoses with 19mm (3/4") BSPT brass female fitting.
- A heavy duty hose should be used for the inlet hose to prevent the hose from collapsing. For best results, use a short length, large diameter hose, such as a 183cm (6') long, 19mm (3/4") inner diameter garden hose. Longer or thinner hoses may reduce performance and flow rate.
- A regular garden hose may be used as an outlet hose.



- Use thread seal tape or a gasket on the inlet to create an airtight connection ensure the pump will prime.
- Make sure connections are tight.
- Small leaks in the inlet hose will **greatly** reduce suction and the efficiency of the pump, and may prevent priming.
- Thread the inlet and outlet hoses onto the pump.

## OPERATION

**WARNING** To reduce the risk of injury, always wear safety goggles or glasses with side shields.

Always remove battery before attempting to install, service, or maintain the pump.

Pump should only be used to pump clear water. Do NOT pump salt water, brine, laundry discharge, or any other application which may contain caustic chemicals and/or foreign material. Do NOT pump sand particulate, or large debris. Do NOT pump fluids such as gasoline, fuel oil, or kerosene. Do NOT use in a flammable or explosive atmosphere.

Do not place pump under water or in wet areas. Place pump in dry locations only.

This pump is designed for applications such as emptying water heaters, tanks, etc. The pump is not waterproof or weatherproof and is not intended to be used outdoors or inside showers, saunas or other potentially wet locations.

1. Attach inlet and outlet hoses.
2. Place inlet hose below water surface, aiming as near as possible to the middle of the water source.
3. Lay out inlet and outlet hoses to ensure there are no blockages, kinks or bends.
4. Secure outlet hose to ensure it does not whip around or move unexpectedly when pumping begins.
5. Place pump flat on it's feet for maximum stability.
6. Insert battery pack.
7. Turn on pump.
8. Keep pump inlet clean and free of all foreign objects. Inspect inlet at beginning of each use.
9. As soon as the pump begins to take in air, turn off pump.
10. Do NOT allow pump to run dry. Damage to the pump could occur. To prevent pump damage, a dry pump may shut off automatically within 60 seconds. Turn pump off to reset.
11. For best results, the pump should be no more than 5.5 m (18') above the inlet source. The maximum discharge height is 23 m (75').

**NOTE:** If anything but clear water is accidentally pumped, flush with clear water for at least 30 seconds.

12. Do not block air vents. If overload occurs, due to overheating, a jammed impeller, etc, turn off the pump immediately. Pump may shut off automatically. Clear the jam and allow the tool to cool before restarting. Turn pump off and back on to reset.
13. Do not run the pump for more than 1 hour continuously.
14. When done, remove inlet and outlet hoses and pour any excess water from the pump. To remove remaining water from pump, run pump for no more than 5 seconds. In cold situations, freezing temperatures can cause remaining water in the pump to freeze and damage the pump.

## Troubleshooting

Problem	Cause	Correction
Pump will not run	Impeller blockage.	See "Impeller Replacement/Clearing"
Flow rate is too low	Inlet/Outlet line is clogged or damaged.	Replace Inlet/Outlet line. Check lines for blockages, kinks or bends. Clear blockages.
	Inlet connection is not airtight.	Tighten inlet connection, adding teflon tape or a gasket if necessary.
	Impeller cover is not secured tightly.	Hand tighten four (4) cover screws.
	Impeller worn out.	See "Impeller Replacement/Clearing"
Pump shutdown	Dry pump shutdown	Correct situation, then turn tool off, then back on to reset.
	Locked impeller. Battery installed when pump turned on.	
Over temperature shutdown	Blocked outlet line.	Allow pump to cool.
	Outlet line too high.	Correct situation, then turn tool off, then back on to reset.
	Outlet line too long.	
	Pump ON for too long.	

## MAINTENANCE

**⚠WARNING** To reduce the risk of injury, always remove battery pack before attempting to install, service, or maintain the pump. Never disassemble the pump, battery pack or charger. Contact a MILWAUKEE® service facility for ALL repairs.

### Maintaining Tool

Keep your tool, battery pack and charger in good repair by adopting a regular maintenance program. Inspect your tool for issues such as undue noise, misalignment or binding of moving parts, breakage of parts, or any other condition that may affect the tool operation. Return the tool, battery pack, and charger to a MILWAUKEE® service facility for repair. After six months to one year, depending on use, return the tool, battery pack and charger to a MILWAUKEE® service facility for inspection. If the tool does not start or operate at full power with a fully charged battery pack, clean the contacts on the battery pack. If the tool still does not work properly, return the tool, charger and battery pack, to a MILWAUKEE® service facility for repairs.

## Impeller Replacement/Clearing

Check the impeller for wear before each use. Clear or replace impeller if blocked or damaged.

1. Remove the four cover screws holding motor housing and pump housing together. Cover is now free and can be removed.
2. Inspect gasket and impeller for wear and damage. If there is any evidence of wear or damage, replace the parts.
3. Clear any debris from the gasket and impeller.
4. Reassemble gasket, cover, and cover screws.
5. Hand tighten cover screws. Do not use power tools or over tighten.
6. After extended use or when replacing the impeller, apply a small amount of silicone grease to the impeller blades for best performance.

## Storage

Never store with liquid inside the pump. To store the tool:

1. Remove inlet and outlet hoses.
2. Pour excess water from pump.
3. Run pump for no more than 5 seconds.
4. Remove battery pack.

**⚠WARNING** To reduce the risk of personal injury and damage, never immerse your tool, battery pack or charger in liquid or allow a liquid to flow inside them.

## Cleaning

Clean dust and debris from vents. Keep handles clean, dry and free of oil or grease. Use only mild soap and a damp cloth to clean, since certain cleaning agents and solvents are harmful to plastics and other insulated parts. Some of these include gasoline, turpentine, lacquer thinner, paint thinner, chlorinated cleaning solvents, ammonia, acetone, and household detergents containing ammonia. Never use flammable or combustible solvents around tools.

## Repairs

For repairs, return the tool, battery pack and charger to the nearest service centre.

## ACCESSORIES

**⚠WARNING** Use only recommended accessories. Others may be hazardous.

For a complete listing of accessories, go online to [www.milwaukeetools.com.au/](http://www.milwaukeetools.com.au/) [www.milwaukeetools.co.nz](http://www.milwaukeetools.co.nz) or contact a distributor.





## **WARRANTY - AUSTRALIA and NEW ZEALAND**

Please refer to Australian and New Zealand warranty supplied with tool. This warranty applies only to product sold in Australia and New Zealand.

## **SERVICE - AUSTRALIA and NEW ZEALAND**

*MILWAUKEE*<sup>®</sup> prides itself in producing a premium quality product that is Nothing But Heavy Duty<sup>®</sup>. Your satisfaction with our products is very important to us! If you encounter any problems with the operation of this tool, please contact your authorised *MILWAUKEE*<sup>®</sup> dealer.

For a list of *MILWAUKEE*<sup>®</sup> dealers, guarantee or service agents please contact *MILWAUKEE*<sup>®</sup> Customer Service or visit our website.

(Australia Toll Free Telephone Number 1300 645 928)

(New Zealand Toll Free Telephone Number 0800 279 624)

or visit [www.milwaukeetools.com.au](http://www.milwaukeetools.com.au) / [www.milwaukeetools.co.nz](http://www.milwaukeetools.co.nz).

### **Milwaukee Electric Tool Corporation**

13135 West Lisbon Road, Brookfield, Wisconsin U.S.A. 53005

### **Milwaukee Electric Tool Corporation (Australia)**

Techtronic Industries (Australia) Pty. Ltd.

Rowville, Victoria, Australia, 3178

### **Milwaukee Electric Tool Corporation (New Zealand)**

Techtronic Industries (New Zealand) Pty. Ltd.

Mangere, Auckland, New Zealand, 2022

Professionally made in China for Milwaukee Electric Tool Corporation