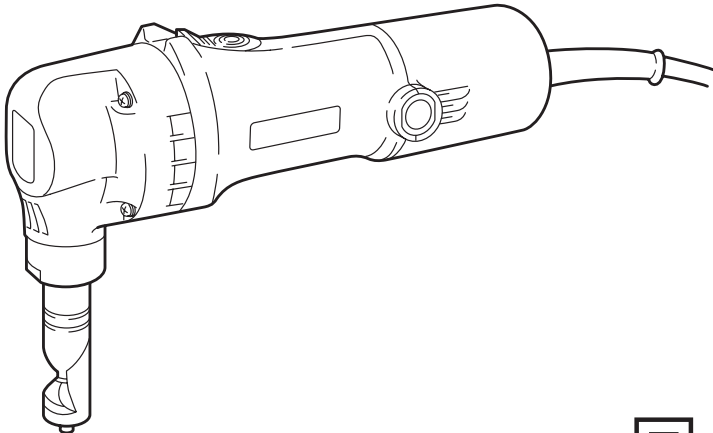
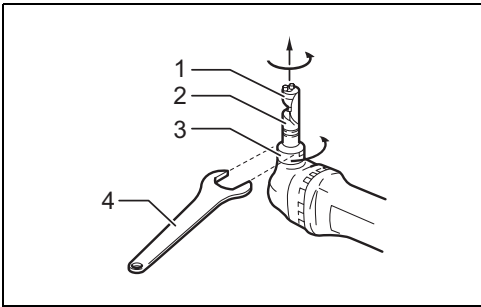




GB Nibbler	Instruction manual
ID Mesin Potong Pelat	Petunjuk penggunaan
VI Máy cắt tôn	Tài liệu hướng dẫn
TH หนีปเปิล	คู่มือการใช้งาน

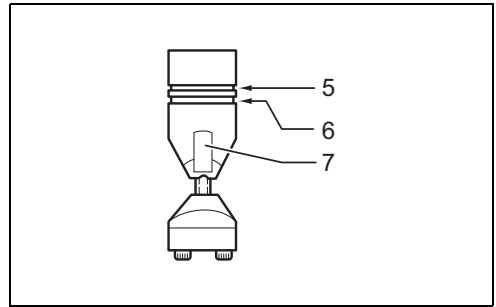
JN1601





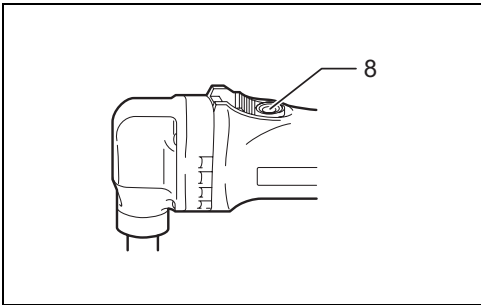
1

004774



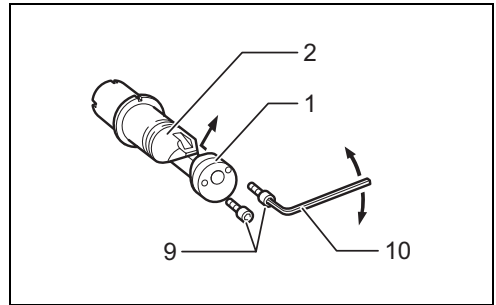
2

004775



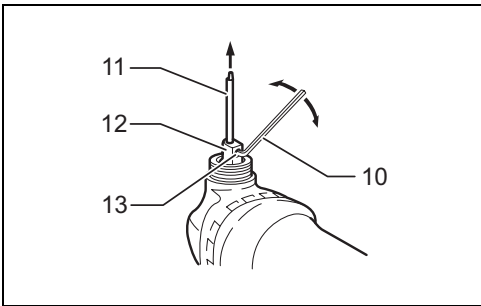
3

004777



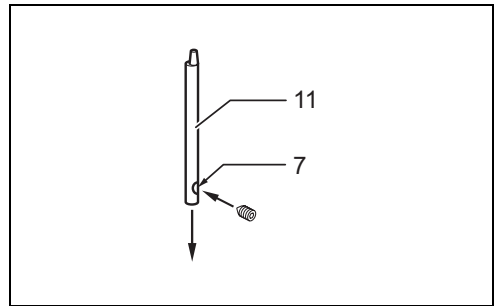
4

004779



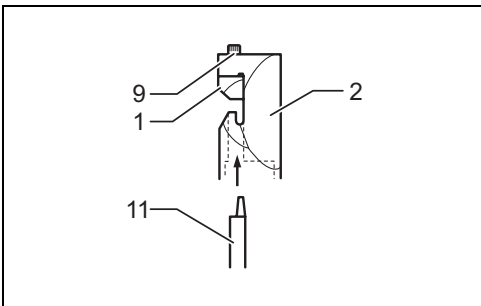
5

004780



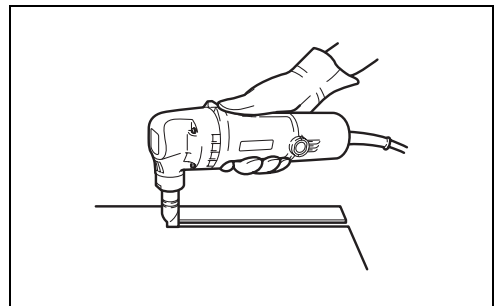
6

004781



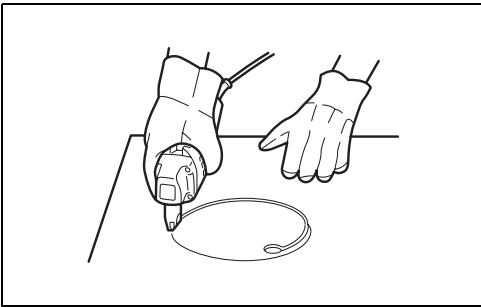
7

004782



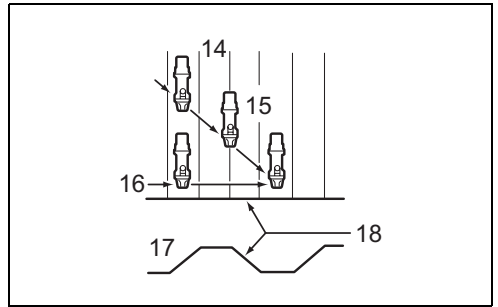
8

004786



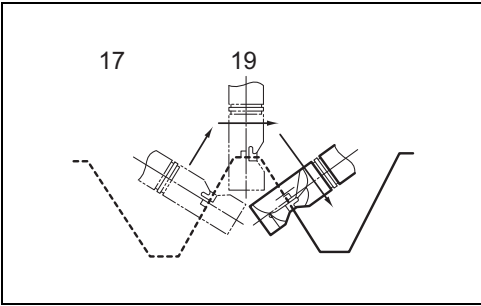
9

004788



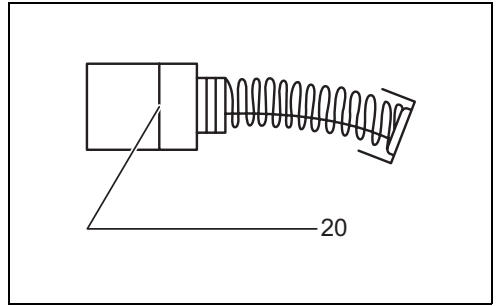
10

004790



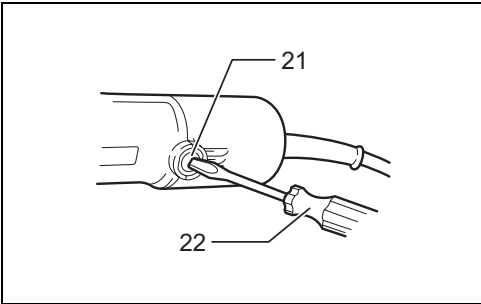
11

004791



12

001145



13

004795

ENGLISH

Explanation of general view

- | | | |
|--|--------------------------------------|---|
| 1. Die | 8. Switch lever | 17. From the side view |
| 2. Die holder | 9. Bolts | 18. Corrugated or trapezoidal sheet metal |
| 3. Lock nut | 10. Hex wrench | 19. Cutting head should be at a right angle (90°) to cutting surface. |
| 4. Wrench | 11. Punch | 20. Limit mark |
| 5. Gauge for cutting stainless:
1.2 mm (3/64") | 12. Punch holder | 21. Brush holder cap |
| 6. Gauge for cutting mild steel:
1.6 mm (1/16") | 13. Screw | 22. Screwdriver |
| 7. Notch | 14. From the top view | |
| | 15. Cutting at an angle to grooves | |
| | 16. Cutting perpendicular to grooves | |

SPECIFICATIONS

Model		JN1601
Max. cutting capacities	Steel up to 400 N/mm ²	1.6 mm / 16 ga
	Steel up to 600 N/mm ²	1.2 mm / 18 ga
	Steel up to 800 N/mm ²	0.8 mm / 22 ga
	Aluminum up to 200 N/mm ²	2.5 mm / 13 ga
Min. cutting radius	Outside edge	50 mm
	Inside edge	45 mm
Strokes per minute (min ⁻¹)		2,200
Overall length		261 mm
Net weight		1.6 kg
Safety class		□/II



- Due to our continuing programme of research and development, the specifications herein are subject to change without notice.
- Specifications may differ from country to country.
- Weight according to EPTA-Procedure 01/2003


END201-5

GEA005-3

Symbols

The following show the symbols used for the equipment. Be sure that you understand their meaning before use.

  Read instruction manual.

 DOUBLE INSULATION

ENE037-1

Intended use


The tool is intended for cutting sheet steel and stainless sheet steel.

ENF002-2

Power supply

The tool should be connected only to a power supply of the same voltage as indicated on the nameplate, and can only be operated on single-phase AC supply. They are double-insulated and can, therefore, also be used from sockets without earth wire.

General Power Tool Safety Warnings

 **WARNING! Read all safety warnings and all instructions.** Failure to follow the warnings and instructions may result in electric shock, fire and/or serious injury.

Save all warnings and instructions for future reference.

The term "power tool" in the warnings refers to your mains-operated (corded) power tool or battery-operated (cordless) power tool.

Work area safety

1. **Keep work area clean and well lit.** Cluttered or dark areas invite accidents.
2. **Do not operate power tools in explosive atmospheres, such as in the presence of flammable liquids, gases or dust.** Power tools create sparks which may ignite the dust or fumes.
3. **Keep children and bystanders away while operating a power tool.** Distractions can cause you to lose control.

Electrical safety

4. **Power tool plugs must match the outlet. Never modify the plug in any way. Do not use any adapter plugs with earthed (grounded) power tools.** Unmodified plugs and matching outlets will reduce risk of electric shock.
5. **Avoid body contact with earthed or grounded surfaces such as pipes, radiators, ranges and refrigerators.** There is an increased risk of electric shock if your body is earthed or grounded.
6. **Do not expose power tools to rain or wet conditions.** Water entering a power tool will increase the risk of electric shock.
7. **Do not abuse the cord. Never use the cord for carrying, pulling or unplugging the power tool. Keep cord away from heat, oil, sharp edges or moving parts.** Damaged or entangled cords increase the risk of electric shock.
8. **When operating a power tool outdoors, use an extension cord suitable for outdoor use.** Use of a cord suitable for outdoor use reduces the risk of electric shock.
9. **If operating a power tool in a damp location is unavoidable, use a residual current device (RCD) protected supply.** Use of an RCD reduces the risk of electric shock.
10. **Use of power supply via a RCD with a rated residual current of 30mA or less is always recommended.**

Personal safety

11. **Stay alert, watch what you are doing and use common sense when operating a power tool. Do not use a power tool while you are tired or under the influence of drugs, alcohol or medication.** A moment of inattention while operating power tools may result in serious personal injury.
12. **Use personal protective equipment. Always wear eye protection.** Protective equipment such as dust mask, non-skid safety shoes, hard hat, or hearing protection used for appropriate conditions will reduce personal injuries.
13. **Prevent unintentional starting. Ensure the switch is in the off-position before connecting to power source and/or battery pack, picking up or carrying the tool.** Carrying power tools with your finger on the switch or energising power tools that have the switch on invites accidents.
14. **Remove any adjusting key or wrench before turning the power tool on.** A wrench or a key left attached to a rotating part of the power tool may result in personal injury.
15. **Do not overreach. Keep proper footing and balance at all times.** This enables better control of the power tool in unexpected situations.
16. **Dress properly. Do not wear loose clothing or jewellery. Keep your hair, clothing, and gloves away from moving parts.** Loose clothes, jewellery or long hair can be caught in moving parts.
17. **If devices are provided for the connection of dust extraction and collection facilities, ensure these are connected and properly used.** Use of dust collection can reduce dust-related hazards.

Power tool use and care

18. **Do not force the power tool. Use the correct power tool for your application.** The correct power tool will do the job better and safer at the rate for which it was designed.
 19. **Do not use the power tool if the switch does not turn it on and off.** Any power tool that cannot be controlled with the switch is dangerous and must be repaired.
 20. **Disconnect the plug from the power source and/or the battery pack from the power tool before making any adjustments, changing accessories, or storing power tools.** Such preventive safety measures reduce the risk of starting the power tool accidentally.
 21. **Store idle power tools out of the reach of children and do not allow persons unfamiliar with the power tool or these instructions to operate the power tool.** Power tools are dangerous in the hands of untrained users.
 22. **Maintain power tools. Check for misalignment or binding of moving parts, breakage of parts and any other condition that may affect the power tool's operation. If damaged, have the power tool repaired before use.** Many accidents are caused by poorly maintained power tools.
 23. **Keep cutting tools sharp and clean.** Properly maintained cutting tools with sharp cutting edges are less likely to bind and are easier to control.
 24. **Use the power tool, accessories and tool bits etc. in accordance with these instructions, taking into account the working conditions and the work to be performed.** Use of the power tool for operations different from those intended could result in a hazardous situation.
- ## Service
25. **Have your power tool serviced by a qualified repair person using only identical replacement parts.** This will ensure that the safety of the power tool is maintained.
 26. **Follow instruction for lubricating and changing accessories.**
 27. **Keep handles dry, clean and free from oil and grease.**

GEB028-2

NIBBLER SAFETY WARNINGS

1. **Hold the tool firmly.**
2. **Secure the workpiece firmly.**
3. **Keep hands away from moving parts.**
4. **Edges and chips of the workpiece are sharp. Wear gloves. It is also recommended that you put on thickly bottomed shoes to prevent injury.**
5. **Do not put the tool on the chips of the workpiece. Otherwise it can cause damage and trouble on the tool.**
6. **Do not leave the tool running. Operate the tool only when hand-held.**
7. **Always be sure you have a firm footing. Be sure no one is below when using the tool in high locations.**

8. **Do not touch the punch, die or the workpiece immediately after operation; they may be extremely hot and could burn your skin.**
9. **Avoid cutting electrical wires. It can cause serious accident by electric shock.**

SAVE THESE INSTRUCTIONS.

⚠ WARNING:

DO NOT let comfort or familiarity with product (gained from repeated use) replace strict adherence to safety rules for the subject product. MISUSE or failure to follow the safety rules stated in this instruction manual may cause serious personal injury.

FUNCTIONAL DESCRIPTION

⚠ CAUTION:

- Always be sure that the tool is switched off and unplugged before adjusting or checking function on the tool.

Changing the die position (Fig. 1)

The die position can be changed 360°. To change it, proceed as follows.

1. Loosen the lock nut with the wrench provided.
2. Pull the die holder slightly and turn it to the desired position for operation.
3. Tighten the lock nut to secure the die holder in the desired position.

There are four positive stops at 90° each: 0°, 90° left and right and 180°. To position the die to any of these positive stops:

1. Loosen the lock nut with the wrench provided.
2. Pull the die holder slightly and depress lightly while turning it to the desired position. The die holder will lock into one of the positive stop positions as desired.
3. Turn the die holder slightly to make sure that it is positively locked into position.
4. Tighten the lock nut to secure the die holder.

Permissible cutting thickness (Fig. 2)

The thickness of material to be cut depends upon the tensile strength of the material itself. The groove on the die holder acts as a thickness gauge for allowable cutting thickness. Do not attempt to cut any material which will not fit into this groove.

Cutting line

The notch in the die holder indicates your cutting line. Its width is equal to the cutting width. Align the notch to the cutting line on the workpiece when cutting.

Switch action (Fig. 3)

⚠ CAUTION:

- Before plugging in the tool, always check to see that the switch actuates properly and returns to the "OFF" position when the rear of the switch lever is depressed.

To switch on, depress the rear of the switch lever and push it forward. Then depress the front of the switch lever to lock it.

To switch off, depress the rear of the switch lever.

ASSEMBLY

⚠ CAUTION:

- Always be sure that the tool is switched off and unplugged before carrying out any work on the tool.

Removing or installing the punch and die

Always replace the punch and die as a set. To remove the punch and die, loosen the lock nut with the wrench.

Remove the die holder from the tool. Use the hex wrench to loosen the bolts which secure the die. Remove the die from the die holder. (Fig. 4)

Use the hex wrench to loosen the screw which secures the punch. Pull the punch out of the punch holder. (Fig. 5)

To install the punch and die, insert the punch into the punch holder so that the notch in the punch faces toward the screw. Tighten the screw to secure the punch. Install the die on the die holder. Tighten the bolts to secure the die. (Fig. 6)

Then install the die holder on the tool so that the punch is inserted through the hole in the die holder. Tighten the lock nut to secure the die holder. After replacing the punch and die, lubricate them with machine oil and run the tool for a while. (Fig. 7)

OPERATION

Pre-lubrication

Coat the cutting line with machine oil to increase the punch and die service life. This is particularly important when cutting aluminum.

Cutting method (Fig. 8)

Hold the tool so that the cutting head is at a right angle (90°) to the workpiece being cut. Move the tool gently in the cutting direction.

Cutouts (Fig. 9)

Cutouts can be done by first opening a round hole over 21 mm in diameter which the cutting head can be inserted into.

Cutting the corrugated or trapezoidal sheet metals

Set the die position so that the die faces the cutting direction either when cutting at an angle or perpendicular go grooves in corrugated or trapezoidal sheet metals. (Fig. 10)

Always hold the tool body parallel to the grooves with the cutting head at a right angle (90°) to the cutting surface as shown in the figure. (Fig. 11)

MAINTENANCE

⚠ CAUTION:

- Always be sure that the tool is switched off and unplugged before attempting to perform inspection or maintenance.
- Never use gasoline, benzine, thinner, alcohol or the like. Discoloration, deformation or cracks may result.

Replacing carbon brushes

Remove and check the carbon brushes regularly. Replace when they wear down to the limit mark. Keep the carbon brushes clean and free to slip in the holders. Both carbon brushes should be replaced at the same time. Use only identical carbon brushes. **(Fig. 12)**

Use a screwdriver to remove the brush holder caps. Take out the worn carbon brushes, insert the new ones and secure the brush holder caps. **(Fig. 13)**

To maintain product SAFETY and RELIABILITY, repairs, any other maintenance or adjustment should be performed by Makita Authorized Service Centers, always using Makita replacement parts.

OPTIONAL ACCESSORIES

CAUTION:

- These accessories or attachments are recommended for use with your Makita tool specified in this manual. The use of any other accessories or attachments might present a risk of injury to persons. Only use accessory or attachment for its stated purpose.

If you need any assistance for more details regarding these accessories, ask your local Makita Service Center.

- Die
- Punch
- Hex wrench
- Wrench 32

NOTE:

- Some items in the list may be included in the tool package as standard accessories. They may differ from country to country.

Penjelasan tampilan keseluruhan

- | | | |
|---|---|--|
| 1. Cetakan | 9. Baut | 17. Dari pandangan sisi |
| 2. Pemegang cetakan | 10. Kunci L | 18. Lembaran logam bergelombang atau berbentuk trapesium. |
| 3. Mur kunci | 11. Penekan | 19. Kepala pemotong harus siku-siku (90°) posisinya terhadap permukaan potong. |
| 4. Kunci pas | 12. Pemegang penekan | 20. Tanda batas |
| 5. Pengukur untuk memotong baja tahan karat: 1,2 mm (3/64") | 13. Sekrup | 21. Tutup tempat sikat |
| 6. Pengukur untuk memotong baja lunak: 1,6 mm (1/16") | 14. Dari pandangan atas | 22. Obeng |
| 7. Takik | 15. Memotong dengan besaran sudut terhadap alur | |
| 8. Tuas saklar | 16. Memotong tegak lurus terhadap alur | |

SPESIFIKASI

Model		JN1601
Kapasitas pemotongan maks.	Baja sampai dengan 400 N/mm ²	1,6 mm / 16 ga
	Baja sampai dengan 600 N/mm ²	1,2 mm / 18 ga
	Baja sampai dengan 800 N/mm ²	0,8 mm / 22 ga
	Aluminium sampai dengan 200 N/mm ²	2,5 mm / 13 ga
Jari-jari pemotongan min.	Tepi luar	50 mm
	Tepi dalam	45 mm
Langkah per menit (min ⁻¹)		2.200
Panjang keseluruhan		261 mm
Berat bersih		1,6 kg
Kelas keamanan		□/II

- Karena kesinambungan program penelitian dan pengembangan kami, spesifikasi yang disebutkan di sini dapat berubah tanpa pemberitahuan.
- Spesifikasi dapat berbeda dari satu negara ke negara lainnya.
- Berat menurut Prosedur EPTA 01/2003

END201-5

GEA005-3

Simbol

Berikut ini adalah simbol-simbol yang digunakan pada peralatan ini.

Pastikan Anda mengerti makna masing-masing simbol sebelum menggunakan alat.



..... Baca petunjuk penggunaan.



..... ISOLASI GANDA

ENE037-1

Penggunaan

Mesin ini digunakan untuk memotong baja pelat dan baja pelat tahan karat.

ENF002-2

Pasokan daya

Mesin harus terhubung dengan pasokan daya listrik yang bervoltase sama dengan yang tertera pada pelat nama, dan hanya dapat dijalankan dengan listrik AC fase tunggal. Mesin diisolasi ganda dan oleh sebab itu dapat dihubungkan dengan soket tanpa arde.

Peringatan Keselamatan Umum Mesin Listrik

⚠ PERINGATAN! Bacalah semua peringatan keselamatan dan semua petunjuk. Kelalaian mematuhi peringatan dan petunjuk dapat menyebabkan sengatan listrik, kebakaran dan/atau cedera serius.

Simpanlah semua peringatan dan petunjuk untuk acuan di masa depan.

Istilah "mesin listrik" dalam semua peringatan mengacu pada mesin listrik yang dijalankan dengan sumber listrik jala-jala (berkabel) atau baterai (tanpa kabel).

Keselamatan tempat kerja

1. **Jaga tempat kerja selalu bersih dan berpenerangan cukup.** Tempat kerja yang berantakan dan gelap mengundang kecelakaan.

2. **Jangan gunakan mesin listrik dalam lingkungan yang mudah meledak, misalnya jika ada cairan, gas, atau debu yang mudah menyala.** Mesin listrik menimbulkan bunga api yang dapat menyalakan debu atau uap tersebut.
3. **Jauhkan anak-anak dan orang lain saat menggunakan mesin listrik.** Bila perhatian terpecah, anda dapat kehilangan kendali.

Keamanan kelistrikan

4. **Steker mesin listrik harus cocok dengan stopkontak. Jangan sekali-kali mengubah steker dengan cara apa pun. Jangan menggunakan steker adaptor dengan mesin listrik berarde (dibumikan).** Steker yang tidak diubah dan stopkontak yang cocok akan mengurangi risiko sengatan listrik.
5. **Hindari sentuhan tubuh dengan permukaan berarde atau yang dibumikan seperti pipa, radiator, kompor, dan kulkas.** Risiko sengatan listrik bertambah jika tubuh Anda terbumikan atau terarde.
6. **Jangan membiarkan mesin listrik kehujanan atau kebasahan.** Air yang masuk ke dalam mesin listrik akan meningkatkan risiko sengatan listrik.
7. **Jangan menyalahgunakan kabel. Jangan sekali-kali menggunakan kabel untuk membawa, menarik, atau mencabut mesin listrik dari stopkontak. Jauhkan kabel dari panas, minyak, tepian tajam, atau bagian yang bergerak.** Kabel yang rusak atau kusut memperbesar risiko sengatan listrik.
8. **Bila menggunakan mesin listrik di luar ruangan, gunakan kabel ekstensi yang sesuai untuk penggunaan di luar ruangan.** Penggunaan kabel yang sesuai untuk penggunaan luar ruangan mengurangi risiko sengatan listrik.
9. **Jika mengoperasikan mesin listrik di lokasi lembap tidak terhindarkan, gunakan pasokan daya yang dilindungi peranti imbasan arus (residual current device - RCD).** Penggunaan RCD mengurangi risiko sengatan listrik.
10. **Penggunaan pasokan daya melalui RCD dengan kapasitas arus sisa 30 mA atau kurang selalu dianjurkan.**

Keselamatan diri

11. **Jaga kewaspadaan, perhatikan pekerjaan Anda dan gunakan akal sehat bila menggunakan mesin listrik. Jangan menggunakan mesin listrik saat Anda lelah atau di bawah pengaruh obat bius, alkohol, atau obat.** Sekejap saja lalai saat menggunakan mesin listrik dapat menyebabkan cedera diri yang serius.
12. **Gunakan alat pelindung diri. Selalu gunakan pelindung mata.** Peralatan pelindung seperti masker debu, sepatu pengaman anti-selip, helm pengaman, atau pelindung telinga yang digunakan untuk kondisi yang sesuai akan mengurangi risiko cedera diri.
13. **Cegah penyalaan yang tidak disengaja. Pastikan bahwa sakelar berada dalam posisi mati (off) sebelum menghubungkan mesin ke sumber daya dan/atau baterai, atau mengangkut atau membawanya.** Membawa mesin listrik dengan jari Anda pada sakelarnya atau mengalirkan listrik pada

mesin listrik yang sakelarnya hidup (on) akan mengundang kecelakaan.

14. **Lepaskan kunci-kunci penyetel sebelum menghidupkan mesin listrik.** Kunci-kunci yang masih terpasang pada bagian mesin listrik yang berputar dapat menyebabkan cedera.
15. **Jangan meraih terlalu jauh. Jagalah pijakan dan keseimbangan sepanjang waktu.** Hal ini memungkinkan kendali yang lebih baik atas mesin listrik dalam situasi yang tidak diharapkan.
16. **Kenakan pakaian dengan baik. Jangan memakai pakaian yang kedodoran atau perhiasan. Jaga jarak antara rambut, pakaian, dan sarung tangan Anda dengan bagian mesin yang bergerak.** Pakaian kedodoran, perhiasan, atau rambut panjang dapat tersangkut pada bagian yang bergerak.
17. **Jika tersedia fasilitas untuk menghisap dan mengumpulkan debu, pastikan fasilitas tersebut terhubung listrik dan digunakan dengan baik.** Penggunaan pembersih debu dapat mengurangi bahaya yang terkait dengan debu.

Penggunaan dan pemeliharaan mesin listrik

18. **Jangan memaksa mesin listrik. Gunakan mesin listrik yang tepat untuk keperluan Anda.** Mesin listrik yang tepat akan menuntaskan pekerjaan dengan lebih baik dan aman pada kecepatan sesuai rancangannya.
19. **Jangan gunakan mesin listrik jika sakelar tidak dapat menyalakan dan mematikannya.** Mesin listrik yang tidak dapat dikendalikan dengan sakelarnya adalah berbahaya dan harus diperbaiki.
20. **Cabut steker dari sumber listrik dan/atau baterai dari mesin listrik sebelum melakukan penyetelan, penggantian aksesoris, atau menyimpkan mesin listrik.** Langkah keselamatan preventif tersebut mengurangi risiko hidupnya mesin secara tak sengaja.
21. **Simpan mesin listrik jauh dari jangkauan anak-anak dan jangan biarkan orang yang tidak paham mengenai mesin listrik tersebut atau petunjuk ini menggunakan mesin listrik.** Mesin listrik sangat berbahaya di tangan pengguna yang tak terlatih.
22. **Rawatlah mesin listrik. Periksa apakah ada bagian bergerak yang tidak lurus atau macet, bagian yang pecah dan kondisi lain yang dapat mempengaruhi penggunaan mesin listrik. Jika rusak, perbaiki dahulu mesin listrik sebelum digunakan.** Banyak kecelakaan disebabkan oleh kurangnya pemeliharaan mesin listrik.
23. **Jaga agar mesin pemotong tetap tajam dan bersih.** Mesin pemotong yang terawat baik dengan mata pemotong yang tajam tidak mudah macet dan lebih mudah dikendalikan.
24. **Gunakan mesin listrik, aksesoris, dan mata mesin, dll. sesuai dengan petunjuk ini, dengan memperhitungkan kondisi kerja dan jenis pekerjaan yang dilakukan.** Penggunaan mesin listrik untuk penggunaan yang lain dari peruntukan dapat menimbulkan situasi berbahaya.

Servis

25. Berikan mesin listrik untuk diperbaiki hanya kepada oleh teknisi yang berkualifikasi dengan menggunakan hanya suku cadang pengganti yang serupa. Hal ini akan menjamin terjaganya keamanan mesin listrik.
26. Patuhi petunjuk pelumasan dan penggantian aksesoris.
27. Jagalah agar gagang kering, bersih, dan bebas dari minyak dan gemuk.

GEB028-2

PERINGATAN KESELAMATAN MESIN POTONG PELAT

1. Pegang mesin kuat-kuat.
2. Tahan benda kerja dengan kuat.
3. Jauhkan tangan dari bagian yang berputar.
4. Tepian dan geram-geram benda kerja merupakan benda tajam. Gunakan sarung tangan. Anda juga dianjurkan untuk menggunakan sepatu beralas tebal untuk mencegah cedera.
5. Jangan meletakkan mesin di atas geram-geram benda kerja. Jika tidak, hal tersebut dapat menyebabkan kerusakan dan masalah pada mesin.
6. Jangan tinggalkan mesin dalam keadaan hidup. Jalankan mesin hanya ketika digenggam tangan.
7. Selalu pastikan Anda berdiri di atas alas yang kuat. Pastikan tidak ada orang di bawahnya bila Anda menggunakan mesin di tempat tinggi.
8. Jangan menyentuh penekan, cetakan atau benda kerja segera setelah pengoperasian; suhunya mungkin masih sangat panas dan dapat membakar kulit Anda.
9. Hindari memotong kabel listrik. Hal tersebut dapat menyebabkan kecelakaan serius akibat sengatan listrik.

SIMPAN PETUNJUK INI.

⚠ PERINGATAN:

JANGAN biarkan kenyamanan atau terbiasanya Anda dengan produk (karena penggunaan berulang) menggantikan kepatuhan yang ketat terhadap aturan keselamatan untuk produk yang terkait. PENYALAHGUNAAN atau kelalaian mematuhi kaidah keselamatan yang tertera dalam petunjuk ini dapat menyebabkan cedera badan serius.

DESKRIPSI FUNGSI

⚠ PERHATIAN:

- Selalu pastikan bahwa mesin dalam keadaan mati dan steker tercabut sebelum menyetel atau memeriksa kerja mesin.

Mengubah posisi cetakan (Gb. 1)

Posisi cetakan dapat diubah 360°. Untuk mengubahnya, lakukan sebagaimana berikut.

1. Kendorkan mur kunci menggunakan kunci pas yang tersedia.

2. Tarik sedikit pemegang cetakan dan putar ke posisi pengoperasian yang diinginkan.
 3. Kencangkan mur kunci untuk mengikat pemegang cetakan pada posisi yang diinginkan.
- Terdapat empat perhentian positif dengan sudut 90°, masing-masing: 0°, 90° ke kiri dan kanan serta 180°. Untuk memosisikan cetakan ke salah satu perhentian positif:

1. Kendorkan mur kunci menggunakan kunci pas yang tersedia.
2. Tarik sedikit pemegang cetakan dan tekan sedikit sambil memutarnya ke posisi yang diinginkan. Pemegang cetakan akan terkunci ke salah satu posisi perhentian positif yang diinginkan.
3. Putar sedikit pemegang cetakan untuk memastikan bahwa pemegang cetakan tersebut terkunci secara positif di posisinya.
4. Kencangkan mur kunci untuk mengikat pemegang cetakan.

Ketebalan pemotongan yang diizinkan (Gb. 2)

Ketebalan bahan yang akan dipotong tergantung pada kekuatan tarik bahan itu sendiri. Alur pada pemegang cetakan berfungsi sebagai pengukur ketebalan untuk ketebalan pemotongan yang diizinkan. Jangan coba-coba untuk memotong bahan yang tidak pas dengan alur ini.

Garis pemotongan

Takik di pemegang cetakan menunjukkan garis pemotongan. Lebarinya sama dengan lebar pemotongan. Sejajarkan takik terhadap garis pemotongan di benda kerja saat memotong.

Kerja saklar (Gb. 3)

⚠ PERHATIAN:

- Sebelum memasukkan steker, selalu periksa apakah tuas saklar berfungsi dengan baik dan kembali ke posisi "OFF" saat bagian belakang tuas saklar ditekan. Untuk menyalakan, tekan bagian belakang tuas saklar dan dorong ke depan. Lalu tekan bagian depan tuas saklar untuk menguncinya. Untuk mematikannya, tekan bagian belakang tuas saklar.

PERAKITAN

⚠ PERHATIAN:

- Selalu pastikan bahwa mesin dalam keadaan mati dan steker tercabut sebelum melakukan pekerjaan apapun pada mesin.

Melepas atau memasang penekan dan cetakan

Selalu ganti penekan dan cetakan sebagai satu set. Untuk melepas penekan dan cetakan, kendorkan mur kunci menggunakan kunci pas. Lepas pemegang cetakan dari mesin. Gunakan kunci L untuk mengendorkan baut yang mengikat cetakan. Lepas cetakan dari pemegang cetakan. (Gb. 4)

Gunakan kunci L untuk mengendorkan sekrup yang mengikat penekan. Cabut penekan dari pemegang penekan. (Gb. 5)

Untuk memasang penekan dan cetakan, masukkan penekan ke dalam pemegang penekan sehingga takik di penekan menghadap ke sekrup. Kencangkan sekrup untuk mengikat penekan. Pasang cetakan di pemegang cetakan. Kencangkan baut untuk mengikat cetakan.

(Gb. 6)

Lalu pasang pemegang cetakan pada mesin sehingga penekan dimasukkan melalui lubang di pemegang cetakan. Kencangkan mur kunci untuk mengikat pemegang cetakan. Setelah mengganti penekan dan cetakan, lumasi dengan minyak mesin dan jalankan mesin selama beberapa saat. (Gb. 7)

PENGUNAAN

Pelumasan awal

Lapisi garis pemotongan dengan minyak mesin untuk meningkatkan umur pakai penekan dan cetakan. Hal ini sangat penting bila memotong aluminium.

Metode pemotongan (Gb. 8)

Pegang mesin sehingga kepala potong posisinya siku-siku (90°) terhadap benda kerja yang sedang dipotong. Gerakkan mesin secara perlahan sesuai arah pemotongan.

Pengguntingan (Gb. 9)

Pengguntingan dapat dilakukan dengan terlebih dahulu membuat lubang bundar berdiameter lebih dari 21 mm di mana kepala potong dapat dimasukkan ke dalamnya.

Memotong lembaran logam bergelombang dan berbentuk trapesium.

Setel posisi cetakan sehingga cetakan menghadap ke arah pemotongan baik saat memotong pada alur bersudut atau yang tegak lurus di lembaran logam bergelombang atau berbentuk trapesium. (Gb. 10)

Selalu pegang badan mesin sejajar terhadap alur dengan kepala potong posisinya siku-siku (90°) terhadap permukaan pemotongan seperti ditunjukkan pada gambar. (Gb. 11)

PERAWATAN

⚠ PERHATIAN:

- Selalu pastikan bahwa mesin dimatikan dan steker dicabut sebelum melakukan pemeriksaan atau perawatan.
- Jangan sekali-kali menggunakan bensin, tiner, alkohol, atau bahan sejenisnya. Penggunaan bahan demikian dapat menyebabkan perubahan warna, perubahan bentuk atau timbulnya retakan.

Mengganti sikat karbon

Lepas dan periksa sikat karbon secara teratur. Lepas ketika aus sampai tanda batas. Jaga agar sikat karbon tetap bersih dan tidak bergeser dari tempatnya. Kedua sikat karbon harus diganti pada waktu yang sama. Hanya gunakan sikat karbon yang sama. (Gb. 12)

Gunakan obeng untuk melepas tutup tempat sikat. Tarik keluar sikat karbon yang aus, masukkan yang baru dan pasang tutup tempat sikat. (Gb. 13)

Untuk menjaga KEAMANAN dan KEANDALAN mesin, perbaikan, perawatan atau penyetulan lain harus dilakukan oleh Pusat Layanan Resmi Makita dan selalu gunakan suku cadang pengganti buatan Makita.

PILIHAN AKSESORI

⚠ PERHATIAN:

- Dianjurkan untuk menggunakan aksesoris atau perangkat tambahan ini dengan mesin Makita Anda yang ditentukan dalam petunjuk ini. Penggunaan aksesoris atau perangkat tambahan lain bisa menyebabkan risiko cedera pada manusia. Hanya gunakan aksesoris atau perangkat tambahan sesuai dengan peruntukannya.

Jika Anda memerlukan bantuan lebih rinci berkenaan dengan aksesoris ini, tanyakan pada Pusat Layanan Makita terdekat.

- Cetakan
- Penekan
- Kunci L
- Kunci pas 32

CATATAN:

- Beberapa item dalam daftar tersebut mungkin sudah termasuk dalam paket mesin sebagai aksesoris standar. Hal tersebut dapat berbeda dari satu negara ke negara lainnya.

TIẾNG VIỆT

Giải thích về hình vẽ tổng thể

- Mũi đột
- Đế giữ mũi đột
- Đai ốc khóa
- Cờ-lê
- Đế cỡ để cắt thép không rỉ:
1,2 mm (3/64")
- Đế cỡ để cắt thép mềm:
1,6 mm (1/16")
- Rãnh khía
- Cần gạt công tắc
- Bu-lông
- Khóa lục giác
- Thanh đột
- Đế giữ thanh đột
- Vít
- Góc nhìn theo mặt bằng
- Cắt theo một góc với các rãnh
- Cắt vuông góc với các rãnh
- Góc nhìn theo mặt bên
- Kim loại dạng tấm gấp nếp hoặc hình thang
- Đầu cắt cần để vuông góc (90°) với mặt phẳng cắt.
- Vạch giới hạn
- Nắp giữ chốt
- Tuốc-nơ-vít

THÔNG SỐ KỸ THUẬT

Kiểu		JN1601
Khả năng cắt tối đa	Sắt lên đến 400 N/mm ²	1,6 mm (cỡ 16)
	Sắt lên đến 600 N/mm ²	1,2 mm (cỡ 18)
	Sắt lên đến 800 N/mm ²	0,8 mm (cỡ 22)
	Nhôm lên đến 200 N/mm ²	2,5 mm (cỡ 13)
Bán kính cắt tối thiểu	Mép ngoài	50 mm
	Mép trong	45 mm
Số nhát cắt mỗi phút (min ⁻¹)		2.200
Chiều dài tổng thể		261 mm
Trọng lượng tịnh		1,6 kg
Cấp độ an toàn		□/II

- Do chương trình nghiên cứu và phát triển liên tục của chúng tôi nên các thông số kỹ thuật trong đây có thể thay đổi mà không cần thông báo trước.
- Các thông số kỹ thuật có thể thay đổi tùy theo từng quốc gia.
- Trọng lượng tùy theo Quy trình EPTA tháng 01/2003

END201-5

Ký hiệu

Phần dưới đây cho biết các ký hiệu được dùng cho thiết bị. Đảm bảo rằng bạn hiểu rõ ý nghĩa của các ký hiệu này trước khi sử dụng.



..... Đọc tài liệu hướng dẫn.



..... CÁCH ĐIỆN KÉP

ENE037-1

Mục đích sử dụng

Dụng cụ được dùng để cắt thép tấm và thép tấm không rỉ.

ENF002-2

Nguồn cấp điện

Dụng cụ này chỉ được nối với nguồn cấp điện có điện áp giống như đã chỉ ra trên biển tên và chỉ có thể được vận hành trên nguồn điện AC một pha. Chúng được cách điện hai lớp và do đó cũng có thể được sử dụng với các ổ cắm điện không có dây tiếp đất.

GEA005-3

Cảnh báo An toàn Chung dành cho Dụng cụ Máy

⚠ CẢNH BÁO! Đọc tất cả các cảnh báo an toàn và hướng dẫn. Việc không tuân theo các cảnh báo và hướng dẫn có thể dẫn đến điện giật, hỏa hoạn và/hoặc thương tích nghiêm trọng.

Lưu giữ tất cả cảnh báo và hướng dẫn để tham khảo sau này.

Thuật ngữ “dụng cụ máy” trong các cảnh báo đề cập đến dụng cụ máy (có dây) được vận hành bằng nguồn điện chính hoặc dụng cụ máy (không dây) được vận hành bằng pin của bạn.

An toàn tại nơi làm việc

- Giữ nơi làm việc sạch sẽ và có đủ ánh sáng.** Nơi làm việc bừa bộn hoặc tối thường dễ gây ra tai nạn.
- Không vận hành dụng cụ máy trong môi trường cháy nổ, ví dụ như môi trường có sự hiện diện của các chất lỏng, khí hoặc bụi dễ cháy.** Các dụng cụ máy tạo tia lửa điện có thể làm bụi hoặc khí bốc cháy.

- Giữ trẻ em và người ngoài tránh xa nơi làm việc khi đang vận hành dụng cụ máy. Sự xao lãng có thể khiến bạn mất khả năng kiểm soát.

An toàn về điện

- Phích cắm của dụng cụ máy phải khớp với ổ cắm. Không bao giờ được sửa đổi phích cắm theo bất kỳ cách nào. Không sử dụng bất kỳ phích cắm chuyển đổi nào với các dụng cụ máy được nối đất (tiếp đất). Các phích cắm còn nguyên vẹn và ổ cắm phù hợp sẽ giảm nguy cơ điện giật.
- Tránh để cơ thể tiếp xúc với các bề mặt nóng đất hoặc tiếp đất như đường ống, bộ tản nhiệt, bếp ga và tủ lạnh. Nguy cơ bị điện giật sẽ tăng lên nếu cơ thể bạn được nối đất hoặc tiếp đất.
- Không để dụng cụ máy tiếp xúc với mưa hoặc trong điều kiện ẩm ướt. Nước lọt vào dụng cụ máy sẽ làm tăng nguy cơ điện giật.
- Không lạm dụng dây. Không bao giờ sử dụng dây đề mang, kéo hoặc tháo phích cắm dụng cụ máy. Giữ dây tránh xa nguồn nhiệt, dầu, các mép sắc hoặc các bộ phận chuyển động. Dây bị hỏng hoặc bị rối sẽ làm tăng nguy cơ điện giật.
- Khi vận hành dụng cụ máy ngoài trời, hãy sử dụng dây kéo dài phù hợp cho việc sử dụng ngoài trời. Việc dùng dây phù hợp cho việc sử dụng ngoài trời sẽ giảm nguy cơ điện giật.
- Nếu bất thuộc phải vận hành dụng cụ máy ở nơi ẩm ướt, hãy sử dụng nguồn cấp điện được bảo vệ bằng thiết bị ngắt dòng điện rò (RCD). Việc sử dụng RCD sẽ giảm nguy cơ điện giật.
- Chúng tôi luôn khuyên bạn sử dụng nguồn cấp điện qua thiết bị RCD có thể ngắt dòng điện dư định mức 30 mA hoặc thấp hơn.

An toàn cá nhân

- Luôn tỉnh táo, quan sát những việc bạn đang làm và sử dụng những phán đoán theo kinh nghiệm khi vận hành dụng cụ máy. Không sử dụng dụng cụ máy khi bạn đang mệt mỏi hoặc chịu ảnh hưởng của ma túy, rượu hay thuốc. Chỉ một khoảnh khắc không tập trung khi đang vận hành dụng cụ máy cũng có thể dẫn đến thương tích cá nhân nghiêm trọng.
- Sử dụng thiết bị bảo hộ cá nhân. Luôn đeo thiết bị bảo vệ mắt. Các thiết bị bảo hộ như mặt nạ chống bụi, giày an toàn chống trượt, mũ bảo hộ hay thiết bị bảo vệ thính giác được sử dụng trong các điều kiện thích hợp sẽ giúp giảm thương tích cá nhân.
- Tránh vô tình khởi động dụng cụ máy. Đảm bảo công tắc ở vị trí off (tắt) trước khi nối nguồn điện và/hoặc bộ pin, cầm hoặc mang dụng cụ máy. Việc mang dụng cụ máy khi đang đặt ngón tay ở vị trí công tắc hoặc cấp điện cho dụng cụ máy đang bật thường dễ gây ra tai nạn.
- Tháo mọi khoá hoặc chia vận điều chỉnh trước khi bật dụng cụ máy. Việc chia vận hoặc khoá vẫn còn gắn vào bộ phận quay của dụng cụ máy có thể dẫn đến thương tích cá nhân.
- Không vói quá cao. Luôn giữ thăng bằng tốt và có chỗ để chân phù hợp. Điều này cho phép điều khiển dụng cụ máy tốt hơn trong những tình huống bất ngờ.

- Ăn mặc phù hợp. Không mặc quần áo rộng hay đeo đồ trang sức. Giữ tóc, quần áo và găng tay tránh xa các bộ phận chuyển động. Quần áo rộng, đồ trang sức hay tóc dài có thể mắc vào các bộ phận chuyển động.
- Nếu các thiết bị được cung cấp để kết nối các thiết bị thu gom và hút bụi, hãy đảm bảo chúng được kết nối và sử dụng hợp lý. Việc sử dụng thiết bị thu gom bụi có thể làm giảm những mối nguy hiểm liên quan đến bụi.

Sử dụng và bảo quản dụng cụ máy

- Không dùng lực đối với dụng cụ máy. Sử dụng đúng dụng cụ máy cho công việc của bạn. Sử dụng đúng dụng cụ máy sẽ giúp thực hiện công việc tốt hơn và an toàn hơn theo giá trị định mức được thiết kế của dụng cụ máy đó.
- Không sử dụng dụng cụ máy nếu công tắc không bật và tắt được dụng cụ máy đó. Mọi dụng cụ máy không thể điều khiển được bằng công tắc đều rất nguy hiểm và cần được sửa chữa.
- Rút phích cắm ra khỏi nguồn điện và/hoặc ngắt kết nối bộ pin khỏi dụng cụ máy trước khi thực hiện bất kỳ công việc điều chỉnh, thay đổi phụ tùng hay cắt giữ dụng cụ máy nào. Những biện pháp an toàn phòng ngừa này sẽ giảm nguy cơ vô tình khởi động vô tình dụng cụ máy.
- Cắt giữ các dụng cụ máy không sử dụng ngoài trời với của trẻ em và không cho bất kỳ người nào không có hiểu biết về dụng cụ máy hoặc các hướng dẫn này vận hành dụng cụ máy. Dụng cụ máy sẽ rất nguy hiểm nếu được sử dụng bởi những người dùng chưa qua đào tạo.
- Bảo quản dụng cụ máy. Kiểm tra tình trạng lệch trục hoặc bó kẹt của các bộ phận chuyển động, hiện tượng nứt vỡ của các bộ phận và mọi tình trạng khác mà có thể ảnh hưởng đến hoạt động của dụng cụ máy. Nếu có hỏng hóc, hãy sửa chữa chữa dụng cụ máy trước khi sử dụng. Nhiều tai nạn xảy ra là do không bảo quản tốt dụng cụ máy.
- Luôn giữ cho dụng cụ cắt được sắc bén và sạch sẽ. Những dụng cụ cắt được bảo quản tốt có mép cắt sắc sẽ ít bị kẹt hơn và dễ điều khiển hơn.
- Sử dụng dụng cụ máy, phụ tùng và đầu dụng cụ cắt, v.v... theo các hướng dẫn này, có tính đến điều kiện làm việc và công việc được thực hiện. Việc sử dụng dụng cụ máy cho các công việc khác với công việc dự định có thể gây nguy hiểm.

Bảo dưỡng

- Đề nghị viên sửa chữa đủ trình độ bảo dưỡng dụng cụ máy của bạn và chỉ sử dụng các bộ phận thay thế đồng nhất. Việc này sẽ đảm bảo duy trì được độ an toàn của dụng cụ máy.
- Tuân theo hướng dẫn dành cho việc bôi trơn và thay phụ tùng.
- Giữ tay cầm khô, sạch, không dính dầu và mỡ.

GEB028-2

CẢNH BÁO AN TOÀN MÁY CẮT ĐỘT

- Cầm chắc dụng cụ.
- Giữ chặt vật gia công.
- Giữ tay tránh xa các bộ phận quay.

4. Các mép và mặt vụn của vật gia công thường sắc cạnh. Hãy mang găng tay. Chúng tôi khuyến cáo bạn nên mang giày có phần đế dày để phòng ngừa chấn thương.
5. Không được đặt dụng cụ máy lên các mặt vụn của vật gia công. Nếu không chúng có thể gây hư hỏng và làm trục trặc dụng cụ.
6. Không để mặc dụng cụ hoạt động. Chỉ vận hành dụng cụ khi cầm trên tay.
7. Luôn đảm bảo bạn có chỗ đặt chân vững chắc. Đảm bảo rằng không có ai ở bên dưới khi sử dụng dụng cụ ở trên cao.
8. Không được chạm vào thanh đột, mũi đột hay vật gia công ngay sau khi vận hành; chúng có thể rất nóng và có thể gây bỏng da.
9. Tránh cắt nhầm các dây điện. Điều này có thể gây ra tai nạn nghiêm trọng do điện giật.

LƯU GIỮ CÁC HƯỚNG DẪN NÀY.

⚠ CẢNH BÁO:

KHÔNG được để sự thoải mái hay quen thuộc với sản phẩm (có được do sử dụng nhiều lần) thay thế việc tuân thủ nghiêm ngặt các quy định về an toàn dành cho sản phẩm này. **VIỆC DÙNG SAI** hoặc không tuân theo các quy định về an toàn được nêu trong tài liệu hướng dẫn này có thể dẫn đến thương tích cá nhân nghiêm trọng.

MÔ TẢ CHỨC NĂNG

⚠ CẢNH BÁO:

- Phải luôn đảm bảo rằng dụng cụ đã được tắt điện và ngắt kết nối trước khi chỉnh sửa hoặc kiểm tra chức năng của dụng cụ.

Thay đổi vị trí mũi đột (Hình 1)

Vị trí mũi đột có thể thay đổi 360°. Để thay đổi, hãy tiến hành như sau.

1. Nới lỏng đai ốc khóa bằng cờ-lê đi kèm.
2. Kéo nhẹ để giữ mũi đột và xoay nó đến vị trí mong muốn để vận hành.
3. Vặn chặt đai ốc khóa để cố định để giữ mũi đột ở vị trí mong muốn.

Có bốn vị trí dừng theo chiều thuận ở mỗi góc 90°: 0°, 90° bên trái, bên phải và 180°. Để định vị mũi đột đến bất cứ vị trí dừng theo chiều thuận:

1. Nới lỏng đai ốc khóa bằng cờ-lê đi kèm.
2. Kéo nhẹ để giữ mũi đột và nhấn nhẹ trong lúc xoay nó đến vị trí mong muốn. Để giữ mũi đột sẽ khớp vào một trong các vị trí dừng như bạn muốn.
3. Xoay nhẹ để giữ mũi đột để đảm bảo rằng nó đã được khóa hoàn toàn vào vị trí.
4. Vặn chặt đai ốc khóa để cố định để giữ mũi đột.

Độ dày cắt cho phép (Hình 2)

Chiều dày của vật liệu được cắt sẽ tùy thuộc vào cường độ kéo của bản thân vật liệu đó. Rãnh trên để giữ mũi đột đóng vai trò như cỡ đo chiều dày đối với chiều dày cắt được phép. Không được cố cắt bất cứ vật liệu nào không vừa khớp vào rãnh này.

Vạch cắt

Rãnh khía trong để giữ mũi đột sẽ chỉ báo đường cắt của bạn. Chiều rộng của nó bằng với chiều rộng cắt. Căn chỉnh rãnh khía với đường cắt trên vật gia công khi cắt.

Hoạt động công tắc (Hình 3)

⚠ CẢNH BÁO:

- Trước khi cắm điện vào dụng cụ, luôn luôn kiểm tra xem công tắc có hoạt động bình thường hay không và trả về vị trí "OFF" (TẮT) khi nhấn phần sau của cần công tắc.

Để bật lên, nhấn phần sau của cần công tắc và đẩy tới trước. Sau đó nhấn phần trước của cần công tắc để khóa nó lại.

Để tắt đi, nhấn phần sau của cần công tắc.

LẮP RÁP

⚠ CẢNH BÁO:

- Luôn luôn đảm bảo rằng dụng cụ đã được tắt và tháo phích cắm trước khi dùng dụng cụ thực hiện bất cứ công việc nào.

Tháo hoặc lắp đặt thanh đột và mũi đột

Luôn thay thế thanh đột và mũi đột theo cùng một bộ. Để tháo thanh đột và mũi đột ra, hãy nới lỏng đai ốc khóa bằng cờ-lê. Tháo để giữ mũi đột ra khỏi dụng cụ. Dùng khóa lục giác để nới lỏng các bu-lông đang giữ mũi đột.

Tháo mũi đột ra khỏi để giữ mũi đột. (Hình 4)

Dùng khóa lục giác để nới lỏng vít đang giữ thanh đột.

Kéo thanh đột ra khỏi để giữ thanh đột. (Hình 5)

Để lắp thanh đột và mũi đột, hãy lắp thanh đột vào để giữ thanh đột sao cho rãnh khía trong thanh đột hướng về phía con vít. Vặn chặt vít đó để cố định thanh đột. Lắp mũi đột lên để giữ mũi đột. Vặn chặt các bu-lông để cố định mũi đột. (Hình 6)

Sau đó lắp để giữ mũi đột lên dụng cụ sao cho thanh đột được lắp xuyên qua lỗ trong để giữ mũi đột. Vặn chặt đai ốc khóa để cố định để giữ mũi đột. Sau khi thay thế thanh đột và mũi đột, hãy bôi trơn chúng bằng dầu máy và chạy thử dụng cụ một lúc. (Hình 7)

VẬN HÀNH

Tra dầu trước

Dùng dầu máy phủ lên đường cắt để gia tăng tuổi thọ hoạt động của thanh đột và mũi đột. Thao tác này cực kỳ quan trọng khi dùng để cắt vật liệu nhôm.

Phương pháp cắt (Hình 8)

Giữ dụng cụ sao cho đầu cắt vuông góc (90°) với vật gia công được cắt. Di chuyển dụng cụ nhẹ nhàng theo hướng cắt.

Phần cắt rời (Hình số 9)

Có thể thực hiện các phần cắt rời bằng cách trước tiên tạo một lỗ hở tròn đường kính khoảng trên 21 mm để có thể đưa đầu cắt vào.

Cắt các kim loại dạng tấm gấp nếp hoặc hình thang

Cài vị trí mũi đột sao cho mũi đột chỉ về hướng cắt khi cắt theo góc hoặc vuông góc với các rãnh trên kim loại dạng tấm gấp nếp hoặc hình thang. **(Hình 10)**

Luôn giữ phần thân dụng cụ song song với các rãnh và đầu cắt vuông góc (90°) với bề mặt cắt như thể hiện trong hình. **(Hình 11)**

BẢO TRÌ

CẢN TRỌNG:

- Hãy luôn chắc chắn rằng dụng cụ đã được tắt và ngắt kết nối trước khi cố gắng thực hiện việc kiểm tra hay bảo dưỡng.
- Không bao giờ dùng xăng, ết xăng, dung môi, cồn hoặc hóa chất tương tự. Có thể xảy ra hiện tượng mất màu, biến dạng hoặc nứt vỡ.

Thay thế các chổi các-bon

Hãy tháo và kiểm tra các chổi các-bon định kỳ. Thay thế khi chổi đã mòn đến vạch giới hạn. Hãy giữ cho các chổi các-bon sạch sẽ và không quấn vào trong các đầu giữ.

Các chổi các-bon nên được thay thế cùng lúc. Hãy sử dụng các chổi các-bon giống nhau. **(Hình 12)**

Hãy sử dụng một tuốc-nơ-vít để tháo các nắp giữ chổi.

Hãy tháo các chổi các-bon đã bị mòn, lắp vào các chổi mới và vặn chặt các nắp giữ chổi. **(Hình 13)**

Để đảm bảo AN TOÀN và TIN CẬY của sản phẩm, việc sửa chữa hoặc bất cứ thao tác bảo trì, điều chỉnh nào đều phải được thực hiện bởi các Trung tâm Dịch vụ Được Ủy quyền của Makita (Makita Authorized Service Center), luôn sử dụng các phụ tùng thiết bị thay thế của Makita.

PHỤ KIỆN TỰY CHỌN

CẢN TRỌNG:

- Các phụ kiện hoặc phụ tùng gắn thêm này được khuyến cáo sử dụng với dụng cụ Makita của bạn theo như quy định trong hướng dẫn này. Việc sử dụng bất cứ phụ kiện hoặc phụ tùng gắn thêm nào khác đều có thể gây ra rủi ro thương tích cho người. Chỉ sử dụng phụ kiện hoặc phụ tùng gắn thêm cho mục đích đã quy định sẵn của chúng.

Nếu bạn cần hỗ trợ để biết thêm chi tiết về những phụ kiện này, hãy liên hệ với Trung tâm Dịch vụ của Makita tại địa phương của bạn.

- Mũi đột
- Thanh đột
- Khóa lục giác
- Cờ-lê số 32


LƯU Ý:

- Một vài mục trong danh sách có thể được bao gồm trong gói dụng cụ làm phụ kiện tiêu chuẩn. Các thông số kỹ thuật có thể thay đổi tùy theo từng quốc gia.

คำอธิบายของมุมมองทั่วไป

- | | | |
|--|-------------------------|---|
| 1. แม่แบบดอก | 8. ก้านสวิตช์ | 17. จากด้านข้าง |
| 2. ที่ยึดแม่แบบเจาะ | 9. สลักเกลียว | 18. แผ่นเหล็กแบบถูกผูกหรือคางหมู |
| 3. น็อตล็อก | 10. ประแจหกเหลี่ยม | 19. หัวตัดต้องทำมุมกับพื้นผิวที่ตัดอย่างถูกต้อง (90°) |
| 4. ประแจ | 11. ที่เจาะ | 20. ซีตจำกัด |
| 5. มาตรฐานสำหรับการตัดสแตนเลส:
1.2 มม. (3/64") | 12. ดัวยึดที่เจาะ | 21. ฝาปิดที่ยึดแปรง |
| 6. มาตรฐานสำหรับตัดเหล็กเหนียว:
1.6 มม. (1/16") | 13. สกรู | 22. ไชคอง |
| 7. ร่องบาก | 14. จากด้านบน | |
| | 15. การตัดร่องแบบเฉียง | |
| | 16. การตัดร่องแบบมุมฉาก | |

ข้อมูลจำเพาะ

	รุ่น	JN1601
ความสามารถในการตัดสูงสุด	แผ่นเหล็กสูงสุด 400 นิวตัน/มม. ²	1.6 มม. / 16 ga
	แผ่นเหล็กสูงสุด 600 นิวตัน/มม. ²	1.2 มม. / 18 ga
	แผ่นเหล็กสูงสุด 800 นิวตัน/มม. ²	0.8 มม. / 22 ga
	แผ่นอลูมิเนียมสูงสุด 200 นิวตัน/มม. ²	2.5 มม. / 13 ga
รัศมีการตัดต่ำสุด	ขอบด้านนอก	50 มม.
	ขอบด้านใน	45 มม.
อัตราการขึ้นลง (รอบต่อนาที)		2,200
ความยาวโดยรวม		261 มม.
น้ำหนักสุทธิ		1.6 กก.
มาตรฐานความปลอดภัย		 II

- เนื่องจากการค้นคว้าวิจัยและพัฒนาอย่างต่อเนื่อง ข้อมูลจำเพาะในเอกสารฉบับนี้อาจเปลี่ยนแปลงได้โดยไม่ต้องแจ้งให้ทราบล่วงหน้า
- ข้อมูลจำเพาะอาจแตกต่างกันไปในแต่ละประเทศ
- น้ำหนักตามข้อบังคับของ EPTA 01/2003

END201-5

ENF002-2

สัญลักษณ์

ต่อไปนี้เป็นสัญลักษณ์ที่ใช้สำหรับอุปกรณ์โปรดศึกษาความหมายของสัญลักษณ์ให้เข้าใจก่อนการใช้งาน



.....อ่านคู่มือการใช้งาน



..... อนุญาตสองชั้น

ENE037-1

จุดประสงค์ของเครื่องมือ

เครื่องมือนี้ใช้สำหรับตัดแผ่นเหล็กและแผ่นเหล็กสแตนเลส

แหล่งจ่ายไฟ

ควรเชื่อมต่อเครื่องมือกับแหล่งจ่ายไฟที่มีแรงดันไฟฟ้าตามที่ระบุไว้ในป้ายข้อมูลของเครื่องมือ และจะต้องใช้ไฟฟ้ากระแสสลับแบบเฟสเดียวเท่านั้น อุปกรณ์นี้ได้รับการหุ้มฉนวนสองชั้นและสามารถใช้กับปลั๊กไฟที่ไม่มีสายดินได้

GEA005-3

คำเตือนด้านความปลอดภัยของเครื่องมือไฟฟ้าทั่วไป

⚠ คำเตือน! อ่านคำเตือนด้านความปลอดภัยและคำแนะนำทั้งหมด การไม่ปฏิบัติตามคำเตือนและคำแนะนำดังกล่าวอาจส่งผลให้เกิดไฟฟ้าช็อต ไฟไหม้ และ/หรือได้รับบาดเจ็บอย่างร้ายแรง

เก็บรักษา ค่าเตือน และคำแนะนำ ทั้งหมดไว้เป็นข้อมูลอ้างอิงในอนาคต

คำว่า "เครื่องมือไฟฟ้า" ในคำเตือนนี้ หมายถึง เครื่องมือไฟฟ้า (มีสาย) ที่ทำงานโดยใช้กระแสไฟฟ้า หรือเครื่องมือไฟฟ้า (ไร้สาย) ที่ทำงานโดยใช้แบตเตอรี่

ความปลอดภัยของพื้นที่ทำงาน

1. ดูแลพื้นที่ทำงานให้มีความสะอาดและมีแสงไฟสว่าง พื้นที่ที่รกกระเถอะหรือมีดทับอาจนำไปสู่การเกิดอุบัติเหตุได้
2. อย่าใช้งานเครื่องมือไฟฟ้าในสภาพที่อาจเกิดการกระเปิด เช่น ในสถานที่ที่มีของเหลว ก๊าซ หรือฝุ่นผงที่มีคุณสมบัติไวไฟ เครื่องมือไฟฟ้าจะสร้างประกายไฟเพื่อจุดชนวนฝุ่นผงหรือก๊าซดังกล่าว
3. ดูแลไม่ให้มีเด็ก ๆ หรือบุคคลอื่นอยู่ในบริเวณที่กำลังใช้เครื่องมือไฟฟ้า การมีสิ่งรบกวนสมาธิอาจทำให้คุณสูญเสียการควบคุม

ความปลอดภัยด้านไฟฟ้า

4. ปลั๊กของเครื่องมือไฟฟ้าต้องพอดีกับเต้ารับ อย่าดัดแปลงปลั๊กไม่ว่ากรณีใด ๆ อย่าใช้ปลั๊กอะแดปเตอร์กับเครื่องมือไฟฟ้าที่ต่อสายดิน ปลั๊กที่ไม่ถูกต้องและเต้ารับไฟที่เข้ากันพอดีจะช่วยลดความเสี่ยงของการเกิดไฟฟ้าช็อต
5. ระวังอย่าให้ร่างกายสัมผัสกับพื้นผิวที่ต่อสายดิน เช่น ท่อเครื่องทำความร้อน เตาหุงต้ม และตู้เย็น มีความเสี่ยงที่จะเกิดไฟฟ้าช็อตสูงขึ้น หากร่างกายของคุณสัมผัสกับพื้น
6. อย่าให้เครื่องมือไฟฟ้าถูกน้ำหรืออยู่ในสภาพเปียกชื้น น้ำที่ไหลเข้าไปในเครื่องมือไฟฟ้าจะเพิ่มความเสี่ยงของการเกิดไฟฟ้าช็อต
7. อย่าใช้สายไฟอย่างไม่เหมาะสม อย่าใช้สายไฟเพื่อยก ดึง หรือ ถอดปลั๊กเครื่องมือไฟฟ้า เก็บสายไฟให้ห่างจากความร้อน น้ำมัน ของมีคม หรือชิ้นส่วนที่เคลื่อนที่ สายที่ชำรุดหรือพันกันจะเพิ่มความเสี่ยงของการเกิดไฟฟ้าช็อต
8. ขณะที่ใช้งานเครื่องมือไฟฟ้านอกอาคาร ควรใช้สายต่อพ่วงที่เหมาะสมกับงานภายนอกอาคาร การใช้สายที่เหมาะสมกับงานภายนอกอาคารจะลดความเสี่ยงของการเกิดไฟฟ้าช็อต
9. หากต้องใช้งานเครื่องมือไฟฟ้าในสถานที่เปียกชื้น ให้ใช้อุปกรณ์ป้องกันกระแสไฟรั่ว (RCD) การใช้ RCD จะลดความเสี่ยงของการเกิดไฟฟ้าช็อต
10. ขอแนะนำให้ใช้แหล่งจ่ายไฟผ่าน RCD ที่มีกระแสไฟรั่วในอัตราไม่เกิน 30 mA เสมอ

ความปลอดภัยส่วนบุคคล

11. ให้ระมัดระวัง และสังเกตเสมอว่าคุณกำลังทำอะไรอยู่ และใช้สามัญสำนึกในขณะที่ใช้งานเครื่องมือไฟฟ้า อย่าใช้งานเครื่องมือไฟฟ้าในขณะที่คุณกำลังเหนื่อย หรือในสภาพที่เมินมาจากยาเสพติด เครื่องดื่มแอลกอฮอล์ หรือ

- การใช้จ่าย ชั่วขณะที่ขาดความระมัดระวังเมื่อกำลังใช้งาน เครื่องมือไฟฟ้าอาจทำให้คุณได้รับบาดเจ็บอย่างรุนแรง
12. ใช้อุปกรณ์ป้องกันส่วนบุคคล สวมแว่นตาป้องกันเสมอ อุปกรณ์ป้องกัน เช่น หน้ากากกันฝุ่น รองเท้านิรภัยกันลื่น หมวกนิรภัย หรือเครื่องป้องกันการได้ยินที่ใช้ในสภาพที่เหมาะสมจะช่วยลดการบาดเจ็บ
 13. ป้องกันไม่ให้เปิดใช้งานอย่างไม่ตั้งใจ ตรวจสอบว่าสวิตช์อยู่ในตำแหน่งปิดก่อนเชื่อมต่อกับแหล่งจ่ายไฟ และ/หรือ ชุดแบตเตอรี่ หรือก่อนการยกหรือถือเครื่องมือ การสอดนิ้วมือบริเวณสวิตช์เพื่อถือเครื่องมือไฟฟ้า หรือการชาร์จไฟ เครื่องมือไฟฟ้าในขณะที่เปิดสวิตช์อยู่ก่อนนำไปสู่การเกิดอุบัติเหตุ
 14. นำกฎแฉปรับแต่งหรือประแจออกก่อนที่จะเปิดเครื่องมือไฟฟ้า ประแจหรือกฎแฉที่เสียบค้างอยู่ในชิ้นส่วนที่หมุนได้ของเครื่องมือไฟฟ้าอาจทำให้คุณได้รับบาดเจ็บ
 15. อย่าทำงานในระยะที่มืดเอี่ยม จัดทำการยืนและการทรงตัวให้เหมาะสมตลอดเวลา เพราะจะทำให้ควบคุมเครื่องมือไฟฟ้าได้ดีขึ้นในสถานการณ์ที่ไม่คาดคิด
 16. แต่งกายให้เหมาะสม อย่าสวมเครื่องแต่งกายที่หลวมเกินไป หรือสวมเครื่องประดับ ดูแลไม่ให้เส้นผม เลือดน้ำ และถุงมืออยู่ใกล้ชิ้นส่วนที่เคลื่อนที่ เสื้อผ้า ร่ม ร่ม เครื่องประดับ หรือผมที่มีความยาวอาจเข้าไปติดในชิ้นส่วนที่เคลื่อนที่
 17. หากมีการจัดอุปกรณ์สำหรับดูแลและจัดเก็บฝุ่นไว้ในสถานที่ ให้ตรวจสอบว่าได้เชื่อมต่อและใช้งานอุปกรณ์นั้นอย่างเหมาะสม การใช้เครื่องดูดและจัดเก็บฝุ่นจะช่วยลดอันตรายที่เกิดจากฝุ่นผงได้

การใช้และดูแลเครื่องมือไฟฟ้า

18. อย่าฝืนใช้เครื่องมือไฟฟ้า ใช้เครื่องมือไฟฟ้าที่เหมาะสมกับการใช้งานของคุณ เครื่องมือไฟฟ้าที่เหมาะสมจะทำงานที่มีประสิทธิภาพและปลอดภัยกว่าตามขีดความสามารถของเครื่องที่ได้รับการออกแบบมา
19. อย่าใช้เครื่องมือไฟฟ้า หากสวิตช์ไม่สามารถเปิดปิดได้ เครื่องมือไฟฟ้าที่ควบคุมด้วยสวิตช์ไม่ได้เป็นสิ่งอันตรายและต้องได้รับการซ่อมแซม
20. ถอดปลั๊กจากแหล่งจ่ายไฟ และ/หรือ ชุดแบตเตอรี่ออกจากเครื่องมือไฟฟ้าก่อนทำการปรับแต่ง เปลี่ยนอุปกรณ์เสริม หรือจัดเก็บเครื่องมือไฟฟ้า วิธีการป้องกันด้านความปลอดภัยดังกล่าวจะช่วยลดความเสี่ยงของการเปิดใช้งานเครื่องมือไฟฟ้าอย่างไม่ตั้งใจ
21. จัดเก็บเครื่องมือไฟฟ้าที่ไม่ได้ใช้งานให้ห่างจากมือเด็ก และอย่าอนุญาตให้บุคคลที่ไม่คุ้นเคยกับเครื่องมือไฟฟ้า หรือคำแนะนำเหล่านี้ใช้งานเครื่องมือไฟฟ้า เครื่องมือไฟฟ้าจะเป็นอันตรายเมื่ออยู่ในมือของผู้ที่ไม่ได้รับการฝึกอบรม
22. การดูแลรักษาเครื่องมือไฟฟ้า ตรวจสอบการประกอบที่ไม่ถูกต้องหรือการเชื่อมต่อของชิ้นส่วนที่เคลื่อนที่ การ

แตกหักของชิ้นส่วน หรือสภาพอื่น ๆ ที่อาจส่งผลกระทบต่อการทำงานของเครื่องมือไฟฟ้า หากมีความเสียหายให้นำเครื่องมือไฟฟ้าไปซ่อมแซมก่อนการใช้งาน อุบัติเหตุจำนวนมากเกิดจากการดูแลรักษาเครื่องมือไฟฟ้าอย่างไม่ถูกต้อง

23. **ลบความคมและทำความสะอาดเครื่องมือการตัดอยู่เสมอ** เครื่องมือการตัดที่มีการดูแลอย่างถูกต้องและมีขอบการตัดคมมักจะไม่มีปัญหาติดขัดน้อยและควบคุมได้ง่ายกว่า
24. **ใช้เครื่องมือไฟฟ้า อุปกรณ์เสริม และวัสดุสิ้นเปลือง ฯลฯ ตามคำแนะนำดังกล่าว พิจารณาสภาพการทำงานและงานที่จะลงมือทำ การใช้เครื่องมือไฟฟ้าเพื่อทำงานอื่นนอกเหนือจากที่กำหนดไว้อาจทำให้เกิดอันตราย**

การบริการ

25. **นำเครื่องมือไฟฟ้าเข้ารับบริการจากช่างซ่อมที่ผ่านการรับรองโดยใช้อะไหล่แบบเดียวกันเท่านั้น** เพราะจะทำให้การใช้เครื่องมือไฟฟ้ามีความปลอดภัย
26. **ปฏิบัติตามคำแนะนำในการหล่อลื่นและการเปลี่ยนอุปกรณ์เสริม**
27. **ดูแลมือจับให้แห้ง สะอาด และไม่มัน้ำมันและจาระบีเปื้อน**

GEB028-2

ความปลอดภัยด้านการใช้งานนิปเปิล

1. **จับเครื่องมือให้แน่น**
2. **ยึดชิ้นงานให้แน่น**
3. **ระวังอย่าให้มีสัมผัสกับชิ้นส่วนที่เคลื่อนที่**
4. **ขอบและเศษชิ้นงานมีความคม ให้สวมถุงมือ นอกจากนี้ขอแนะนำให้อาบน้ำร้อนเพื่อป้องกันอาการบาดเจ็บ**
5. **อย่าวางเครื่องมือบนเศษชิ้นงาน ไม่เช่นนั้นอาจทำให้เครื่องมือเสียหายหรือเกิดปัญหาได้**
6. **อย่าปล่อยให้เครื่องมือทำงานค้างไว้ ใช้งานเครื่องมือในขณะที่ถืออยู่เท่านั้น**
7. **ตรวจสอบบริเวณที่ยืนให้มีความมั่นคงเสมอ หากใช้งานเครื่องมือในพื้นที่สูง ระวังอย่าให้มีคนอยู่ด้านล่าง**
8. **ห้ามสัมผัสกับที่เจาะ แม่แบบเจาะ หรือชิ้นงานทันทีที่ทำงานเสร็จ เนื่องจากสิ่งดังกล่าวอาจมีความร้อนสูงและลวกผิวหนังของคุณได้**
9. **ระวังอย่าให้ติดโดนสายไฟ เนื่องจากอาจทำให้เกิดอุบัติเหตุร้ายแรงจากไฟฟ้าช็อต**

ปฏิบัติตามคำแนะนำเหล่านี้

⚠ คำเตือน:

อย่าให้ความไม่ระมัดระวังหรือความคุ้นเคยกับผลิตภัณฑ์ (จากการใช้งานซ้ำหลายครั้ง) อยู่เหนือการปฏิบัติตามกฎเกณฑ์ด้านความปลอดภัยในการใช้งานผลิตภัณฑ์อย่าง

เคร่งครัด การใช้งานอย่างไม่เหมาะสมหรือการไม่ปฏิบัติตามกฎเกณฑ์ด้านความปลอดภัยในคู่มือใช้งานนี้อาจก่อให้เกิดการบาดเจ็บอย่างรุนแรง

คำอธิบายการทำงาน

⚠ ข้อควรระวัง:

- ตรวจสอบให้แน่ใจว่าสวิตช์เครื่องมืออยู่ในตำแหน่งปิดเครื่อง และถอดปลั๊กเครื่องมือออกก่อนปรับตั้งหรือตรวจสอบการทำงานของเครื่องมือ

การเปลี่ยนตำแหน่งแม่แบบเจาะ (ภาพที่ 1)

สามารถเปลี่ยนตำแหน่งแม่แบบเจาะได้ 360° หากต้องการเปลี่ยนโปรดปฏิบัติตามต่อไปนี้

1. คลายน็อตล็อกด้วยประแจที่นำมาด้วย
2. ดึงที่ยึดแม่แบบเจาะเล็กน้อยแล้วหมุนไปยังตำแหน่งที่ต้องการเพื่อใช้งาน
3. ขันน็อตล็อกให้แน่นเพื่อยึดแม่แบบเจาะไว้ในตำแหน่งที่ต้องการ มีตำแหน่งหยุดสี่ตำแหน่งโดยห่างกันตำแหน่งละ 90°, 90° ซ้ายและขวา และ 180° วิธีการจัดตำแหน่งแม่แบบเจาะไว้ที่ตำแหน่งหยุดสี่ตำแหน่งดังกล่าว:

1. คลายน็อตล็อกด้วยประแจที่นำมาด้วย
2. ดึงที่ยึดแม่แบบเจาะเล็กน้อยแล้วกดลงเล็กน้อยในระหว่างที่หมุนแม่แบบเจาะไปยังตำแหน่งที่กำหนด ที่ยึดแม่แบบเจาะจะล็อกเข้ากับตำแหน่งหยุดตามต้องการ
3. หมุนที่ยึดแม่แบบเจาะเล็กน้อยเพื่อให้แน่ใจว่าล็อกเข้าสู่ตำแหน่งแล้ว
4. ขันน็อตล็อกเพื่อยึดแม่แบบเจาะ

ความหนาของการตัดที่สามารถใช้ได้ (ภาพที่ 2)

ความหนาของวัสดุที่สามารถตัดได้จะขึ้นอยู่กับความหนาแรงดึงของวัสดุเอง ร่องที่แม่แบบเจาะจะทำหน้าที่เหมือนเกจวัดความหนาสำหรับความหนาที่ตัดได้ อย่าพยายามตัดวัสดุที่ไม่สามารถใส่ในร่องนี้ได้

แนวการตัด

ร่องบากที่แม่แบบเจาะจะบอกแนวการตัดของคุณ ความกว้างของร่องจะแสดงแนวการตัดของคุณ จัดให้ร่องบากตรงกับแนวการตัดบนชิ้นงานเมื่อตัด

การทำงานของสวิตช์ (ภาพที่ 3)

⚠ ข้อควรระวัง:

- ก่อนเสียบปลั๊กเครื่องมือ ให้ตรวจสอบว่าสวิตช์เลื่อนสั่งงานสามารถทำงานได้อย่างถูกต้อง และกลับไปยังตำแหน่ง "OFF" เมื่อกดด้านหลังของก้านสวิตช์

วิธีการเปิดเครื่อง ให้กดที่ด้านหลังของก้านสวิตช์แล้วดันไปข้างหน้า แล้วกดที่ด้านหน้าของก้านสวิตช์เพื่อล็อก

วิธีการปิด ให้กดที่ด้านหลังของก้านสวิตช์

การประกอบ

⚠ ข้อควรระวัง:

- ตรวจสอบให้แน่ใจว่าสวิตช์เครื่องมืออยู่ในตำแหน่งปิดเครื่อง และถอดปลั๊กเครื่องมือออกก่อนดำเนินการใดๆ กับเครื่องมือ

การถอดหรือการติดตั้งที่เจาะและแม่แบบเจาะ

เป็นที่เจาะแล้วแม่แบบเจาะทั้งชุดเสมอ วิธีการถอดที่เจาะและแม่แบบเจาะ ให้ใช้ประแจคลายน็อตล็อก ถอดที่ยึดแม่แบบเจาะออกจากเครื่องมือ ใช้ประแจหกเหลี่ยมเพื่อคลายสลักเกลียวที่ยึดแม่แบบเจาะเอาไว้ ถอดแม่แบบเจาะออกจากที่ยึดแม่แบบเจาะ (ภาพที่ 4)

ใช้ประแจหกเหลี่ยมเพื่อคลายสกรูซึ่งยึดที่เจาะเอาไว้ ดึงที่เจาะออกจากที่ยึดที่เจาะ (ภาพที่ 5)

วิธีการติดตั้งที่เจาะและแม่แบบเจาะ ให้ใส่ที่เจาะเข้าไปในที่ยึดที่เจาะโดยให้ร่องบากของที่เจาะกันเข้าสกรู ชันสกรูเพื่อยึดที่เจาะ ติดตั้งแม่แบบเจาะเข้ากับที่ยึดแม่แบบเจาะ ชันสลักเกลียวเพื่อยึดที่เจาะ (ภาพที่ 6)

แล้วติดตั้งที่ยึดแม่แบบเจาะเข้ากับเครื่องมือโดยให้ที่เจาะสอดเข้าไปในรูของที่ยึดแม่แบบเจาะ ชันน็อตล็อกเพื่อยึดแม่แบบเจาะ หลังจากเปลี่ยนที่เจาะและแม่แบบเจาะแล้ว ให้หล่อลื่นด้วยน้ำมันเครื่องแล้วเปิดให้เครื่องมือทำงานสักครู่ (ภาพที่ 7)

การใช้งาน

การหล่อลื่นก่อนทำงาน

ใช้น้ำมันเครื่องทาแนวการตัดเพื่อเพิ่มอายุการใช้งานของที่เจาะและแม่แบบเจาะ ขั้นตอนนี้เป็นสิ่งที่สำคัญมากเมื่อตัดอลูมิเนียม

วิธีการตัด (ภาพที่ 8)

ถือเครื่องมือให้หัวตัดทำมุมที่ถูกต้อง (90°) กับชิ้นงานที่จะตัด เลื่อนเครื่องมือไปยังทิศทางที่จะตัดซ้ำๆ

การตัดออก (ภาพที่ 9)

สามารถตัดส่วนที่ไม่ต้องการของชิ้นงานออกได้โดยขั้นแรก ให้เจาะรูที่มีเส้นผ่านศูนย์กลางเกิน 21 มม. เพื่อให้สามารถสอดหัวตัดเข้าไปได้

การตัดแผ่นเหล็กถูกพุกหรือสียเหล็กคางหมู

กำหนดตำแหน่งแม่แบบเจาะโดยให้แม่แบบเจาะหันหน้าไปยังทิศทางที่ต้องการตัดตั้งเมื่อตัดวงแบบเฉียงหรือแบบมุมฉากในแผ่นเหล็กแบบถูกพุกหรือสียเหล็กคางหมู (ภาพที่ 10)

ถือเครื่องมือให้ขนานกับร่องโดยให้หัวตัดทำมุมที่ถูกต้อง (90°) กับพื้นผิวการตัด ดังภาพ (ภาพที่ 11)

การบำรุงรักษา

⚠ ข้อควรระวัง:

- ตรวจสอบให้แน่ใจว่าได้ปิดสวิตช์เครื่องมือและถอดปลั๊กออกก่อนทำการตรวจสอบหรือบำรุงรักษา
- อย่าใช้น้ำมันเชื้อเพลิง เบนซิน ทินเนอร์ แอลกอฮอล์ หรือวัสดุประเภทเดียวกัน เพราะอาจทำให้เครื่องมือมีสีที่ชัดเจน ผิดรูปทรงหรือแตกหักได้

การเปลี่ยนแปลงคาร์บอน

ถอดแปลงคาร์บอนออกมาตรวจสอบเป็นประจำ เปลี่ยนแปลงคาร์บอนเมื่อสึกหรองจนถึงขีดจำกัด รักษาแปลงคาร์บอนให้สะอาดและอย่าให้แปลงคาร์บอนหลุดเข้าไปในที่ยึด ควรเปลี่ยนแปลงคาร์บอนทั้งสองแปลงพร้อมกัน ใช้แปลงคาร์บอนที่กำหนดเท่านั้น (ภาพที่ 12)

ใช้ไขควงเพื่อถอดฝาปิดที่ยึดแปลงออกมา นำแปลงคาร์บอนที่สึกหรองออกมา ใส่แปลงคาร์บอนใหม่เข้าไป และปิดฝาปิดที่ยึดแปลงให้แน่น (ภาพที่ 13)

เพื่อความปลอดภัยและความน่าเชื่อถือของผลิตภัณฑ์ ควรให้ศูนย์บริการที่ผ่านการรับรองจาก Makita เป็นผู้ดำเนินการซ่อมแซมบำรุงรักษา และทำการปรับตั้งอื่นๆ นอกจากนี้ให้ใช้อะไหล่ของแท้จาก Makita เสมอ

อุปกรณ์เสริม

⚠ ข้อควรระวัง:

- ขอแนะนำให้ใช้เฉพาะอุปกรณ์เสริมหรืออุปกรณ์ต่อพ่วงเหล่านี้กับเครื่องมือ Makita ที่ระบุในคู่มือ การใช้อุปกรณ์เสริมหรืออุปกรณ์ต่อพ่วงอื่นๆ อาจมีความเสี่ยงที่จะได้รับบาดเจ็บ ใช้อุปกรณ์เสริมหรืออุปกรณ์ต่อพ่วงตามวัตถุประสงค์ที่ระบุไว้เท่านั้น

หากคุณต้องการทราบรายละเอียดเกี่ยวกับอุปกรณ์เสริมเหล่านี้โปรดสอบถามศูนย์บริการ Makita ใกล้บ้านคุณ

- แม่แบบเจาะ
- ที่เจาะ
- ประแจหกเหลี่ยม
- ประแจ 32

หมายเหตุ:

- อุปกรณ์บางรายการอาจจะรวมอยู่ในชุดอุปกรณ์พื้นฐานของผลิตภัณฑ์ ซึ่งอาจแตกต่างกันไปในแต่ละประเทศ

Makita Corporation

Anjo, Aichi, Japan

www.makita.com

883894-373

TRD