



Regent Series Knobs & Levers

Door furniture & deadbolts



Designed for residential applications the Schlage Regent Series offers stylish and durable security for houses and apartments.

The Regent Series is a comprehensive suite of door hardware featuring lever and knob locksets and entrance handlesets. The Regent Series includes entrance, privacy, passage and single dummy trim functions. The stylish Boston and Orlando designs features a distinctive square rose.

The Schlage Regent Series suit most common door preparations and is easy to operate and install.

Features

- ANSI/BHMA Grade 3 Certified
- Removable outside lever/knob for quick and easy cylinder replacement
- Snap-on inside rose conceals mounting plate and screws
- Dichromated cold rolled steel chassis for corrosion resistance
- Schlage C5 pin brass cylinder
- Cylinder suitable for residential construction keying
- D and T type strike plate supplied
- Latch adjustable for 60/70mm backset
- Triple Option® latch faceplate supplied (radius, square or drive-in)
- Non-handed

Specification guide










Series	Lever	Function	Finish
Regent R	Boston B	Dummy trim R170	Chrome plate CP
	Denver D	Entrance lock R51	Polished brass PB
	Jupiter J	Passage set R10	Satin chrome plate SCP
	Leonardo L	Privacy set R40	Satin nickel plate SNP
	Orlando O	Combination R152	Satin stainless steel SSS
	Rubens R		

- Series
Select the required series e.g. Regent R
- Lever
Select the required lever design e.g. Boston RB
- Function
Select the desired function e.g. Passage set RBR10
- Finish
Select the desired finish e.g. Satin chrome plate RBR10SCP

Specifications

Door type	Timber or metal
Door thickness	35mm to 50mm
Chassis	Cold rolled steel, dichromate plated
Latch	Stainless steel
Strike plate	Passage/privacy - steel, plated finish Entrance/combo - US304 Grade stainless steel
Backsets	60/70mm adjustable, 127mm available
Key cylinder	Schlage C5 pin keyway
Finishes	Chrome plate, polished brass, satin chrome plate, satin nickel plate, satin stainless steel
Warranty	25 year mechanical 7 year finish

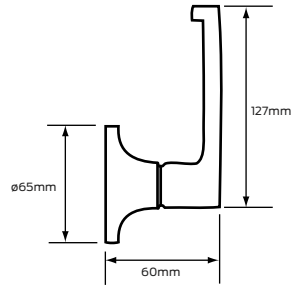
Functions

	Outside	Inside
R152 - Combination set (60mm or 70mm backset) Key inside and outside locks/unlocks deadbolt. Inside turn locks/unlocks outside lever/knob		
R170 - Dummy trim Inactive lever/knob trim which is used as a door pull or matching trim		
R51 - Entrance lockset (60mm or 70mm backset) Inside turn or outside key locks/unlocks both levers/knobs		
R10 - Passage set (60mm or 70mm backset) Both levers/knobs always unlocked		
R40 - Privacy set (60mm or 70mm backset) Inside turn snib locks/unlocks outside lever (outside emergency release)		

Regent Series knob and lever designs

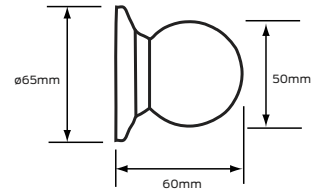
Boston

Finish: Chrome plate, satin chrome plate



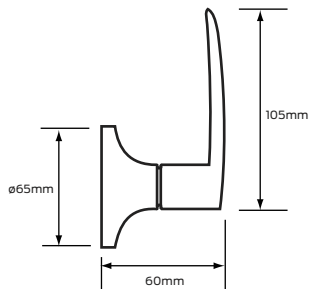
Denver

Finish: Chrome plate, polished brass, satin stainless steel, satin nickel plate



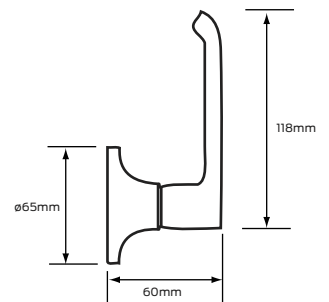
Jupiter

Finish: Chrome plate, satin chrome plate, satin nickel plate



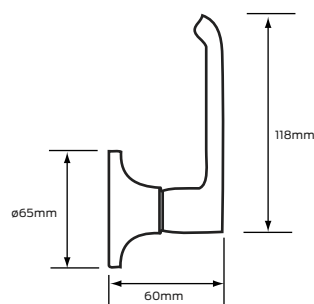
Leonardo

Finish: Chrome plate, satin chrome plate, satin nickel plate



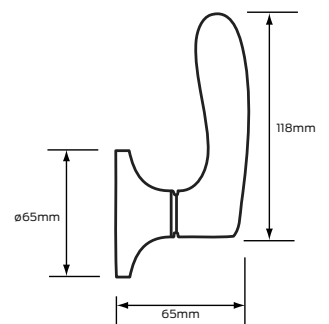
Orlando

Finish: Satin chrome plate

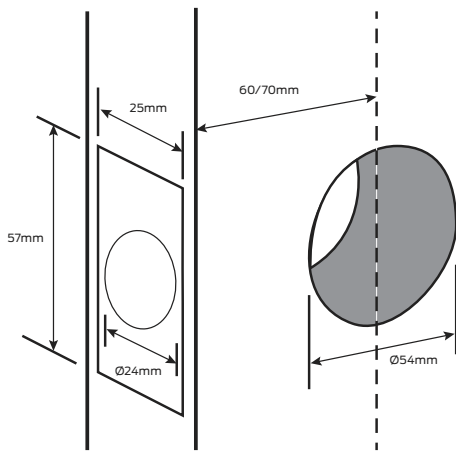


Rubens

Finish: Chrome plate, satin chrome plate, satin nickel plate



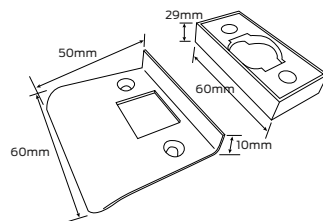
Door preparation



Regent Series accessories

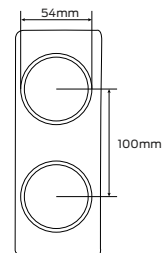
Universal rebate kit

Finish: Satin chrome plate



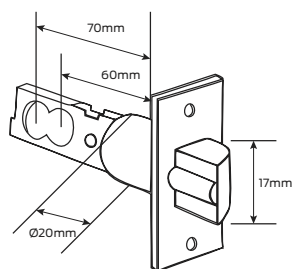
Escutcheon plate

Plate for putting behind a deadbolt and lever
Finish: Satin chrome plate



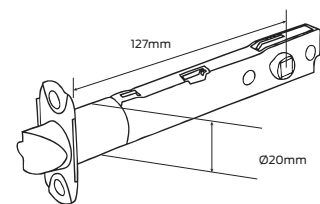
60/70mm adjustable latch

Schlage's universal latch fits 60mm or 70mm backsets.



127mm latch

Finish: Satin chrome plate forend



The Triple Option® faceplates fit square, radius round, and drive-in door preparations.

