

Brio®

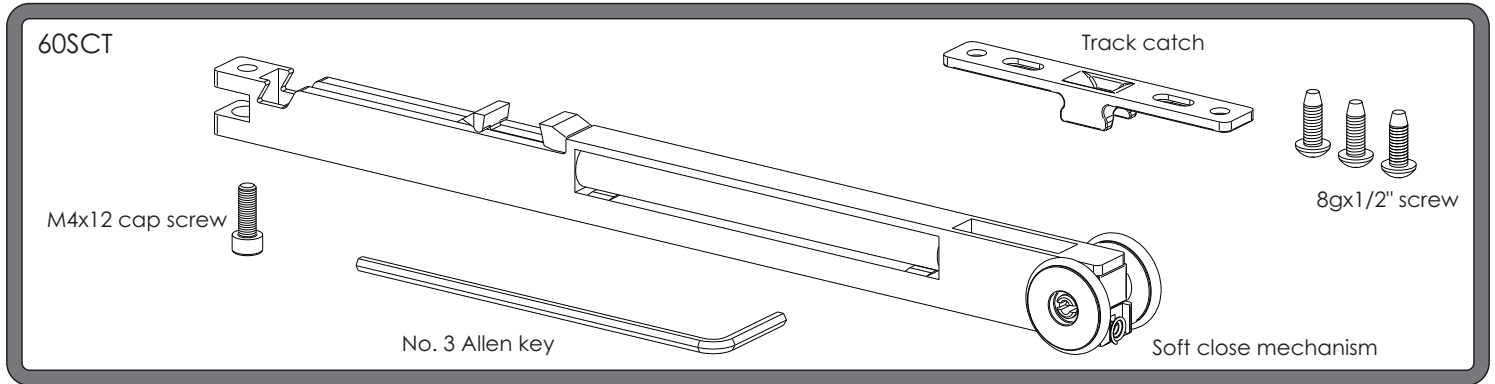
Soft Close for Straight Sliding 60kg

Brio Australia
 P: +61 2 87186718
 W: brio.com.au
 E: brio.sales@allegion.com

Brio UK
 P: +44 191 2291224
 W: briouk.com
 E: brio.sales.uk@allegion.com

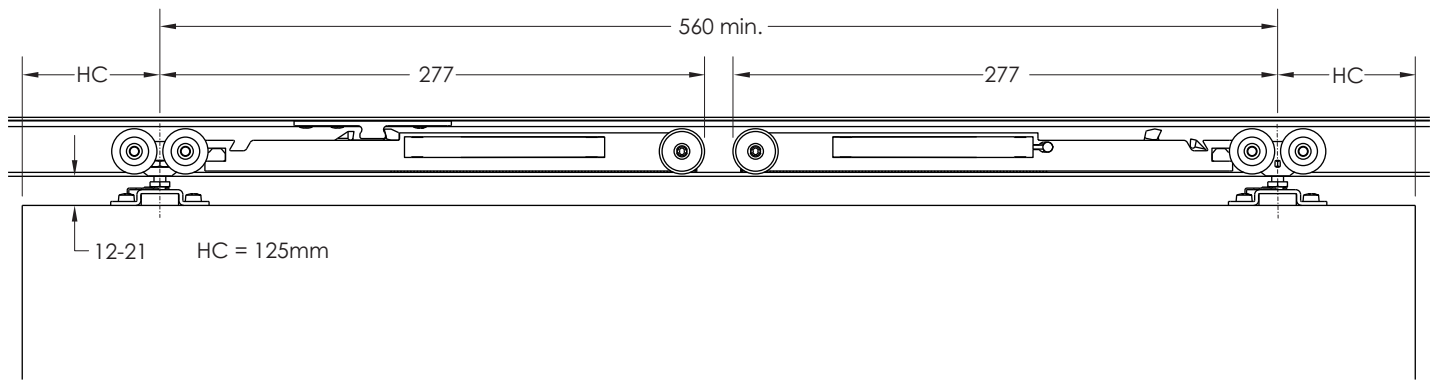
Brio USA
 P: +1 585 3195599
 W: briousa.com
 E: brio.sales.usa@allegion.com

Components

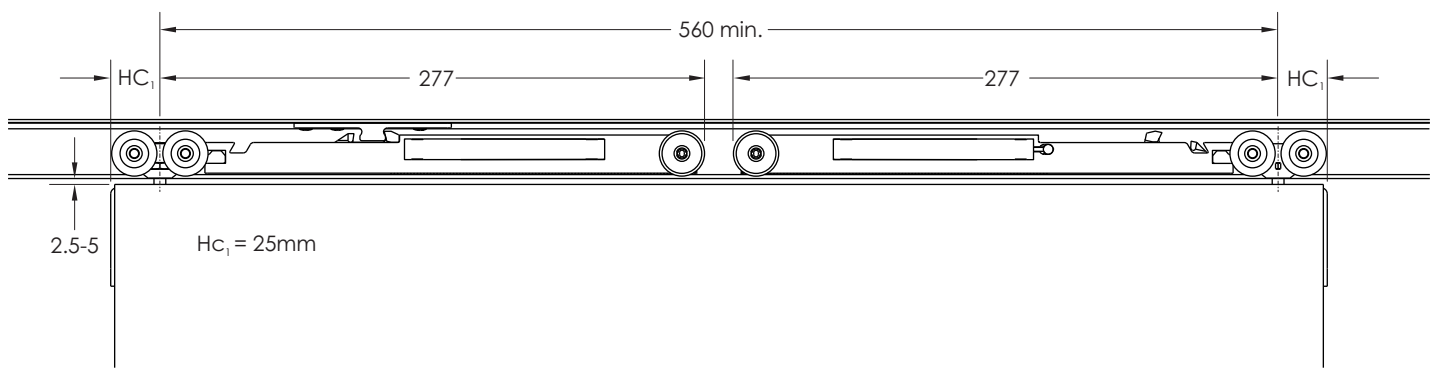


Applications

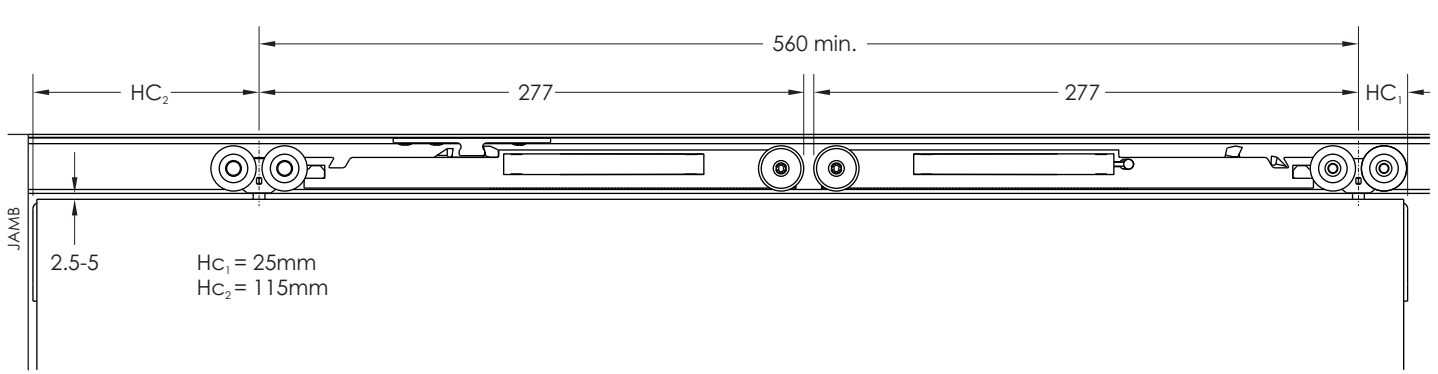
Single Run 60 (min panel width 810mm)



Zero Clearance 60 (min panel width 610mm)

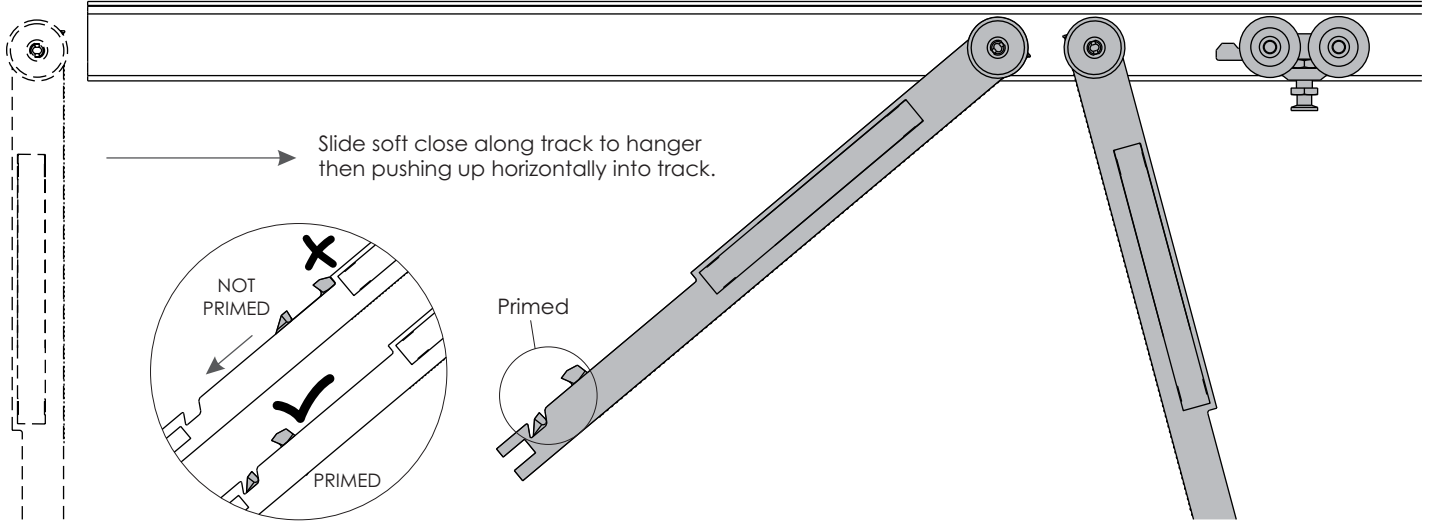


Cavity Clearance 60 (min panel width 700mm)

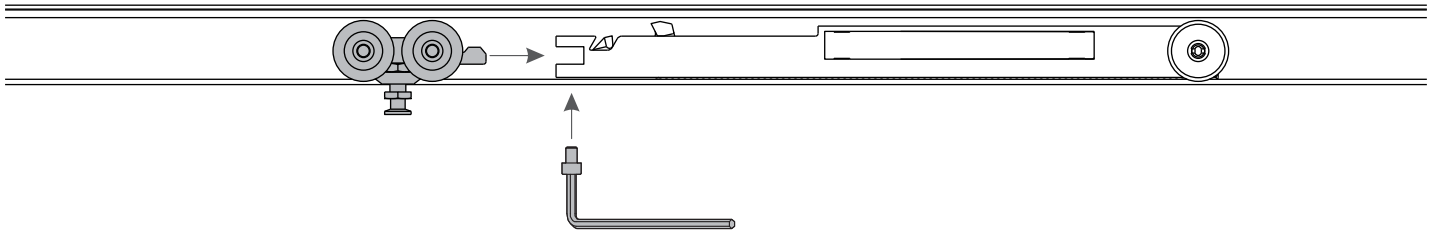


Installation Single Run 60 application shown

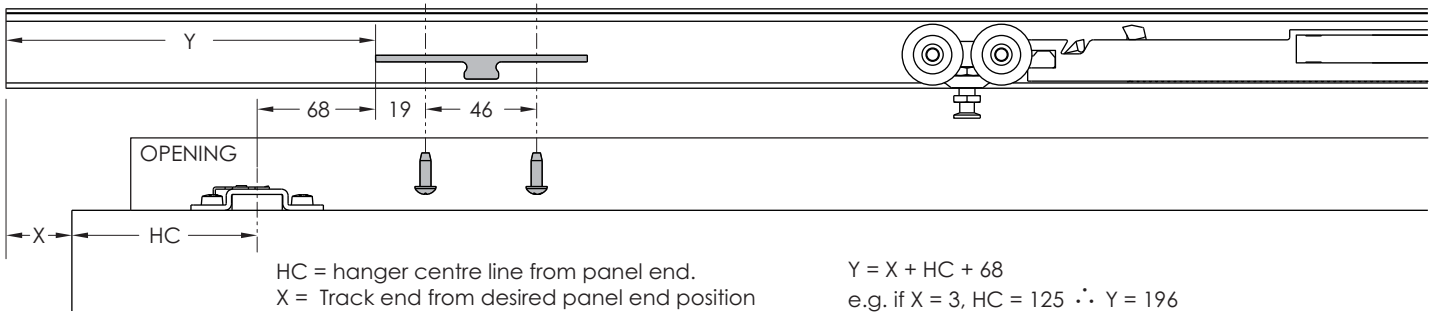
Insert 1st hanger into track, then both soft closes. The soft close must be in primed position, as shown



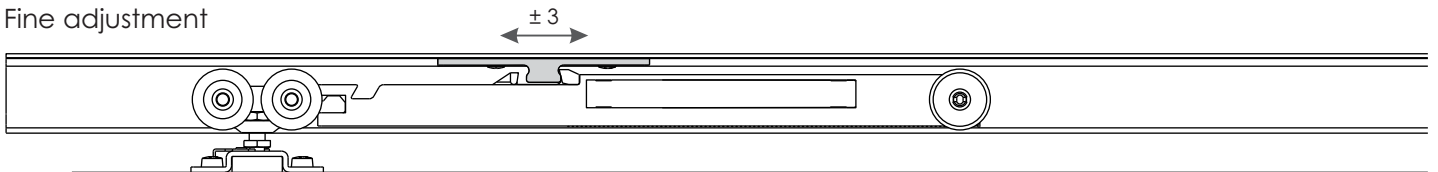
Insert 2nd hanger & attach hanger to soft closes with cap screws. Install panel as per system instructions.



Fix catch plate into track through slotted holes with 2 screws only



Fine adjustment



Close the panel to check if it closes to the desired position.

- If the panel stops too far way from the jamb, move the catch plate closer to the jamb.
- If the panel hits the jamb too soon, move the catch plate away from the jamb.

Adjust catch plate as required. Secure in final position with the 3rd screw

