

## Promix Single Lever Sink and Basin Mixer with adjustable cartridge for temperature

### **Important – Please read all of the instructions before installation**

The Sink Mixer is designed for Equal and Unequal Pressure systems. It is configured for Mains Pressure installations from manufacture to comply with WELS requirements. Refer instructions below for low pressure configuration.

The Basin Mixer is designed for Mains Pressure systems only.

These mixers are not designed for use in uncontrolled heating systems such as wetbacks or solar units unless a Tempering Valve is fitted.

**ALL PIPEWORK MUST BE THOROUGHLY FLUSHED PRIOR TO INSTALLATION OF THE MIXER. AN INLINE FILTER MUST BE FITTED TO PREVENT FOREIGN PARTICLES DAMAGING THE CERAMIC CARTRIDGE.**

### **Technical specifications**

#### **Operating Pressure:**

Min: 35kPa, Max 1000kPa

Recommended 150 – 500kPa

Recommended installation of a pressure limiting valve if supply pressure exceeds 500kPa

#### **Operating Temperature:**

Hot: Max 80°C

Cold: Min 5°C

NB: New Zealand Building Code Clause G12 - Water Supplies specifies all outlets used primarily for personal hygiene shall deliver water at a safe temperature.

**Inlet Connections:** All ½" BSP

### **Installation Instructions Sink Mixer**

A 35mm diameter hole is required in the bench top.

The bench top cannot exceed 40mm thick.

Screw the mounting studs into the bottom of the sink mixer.

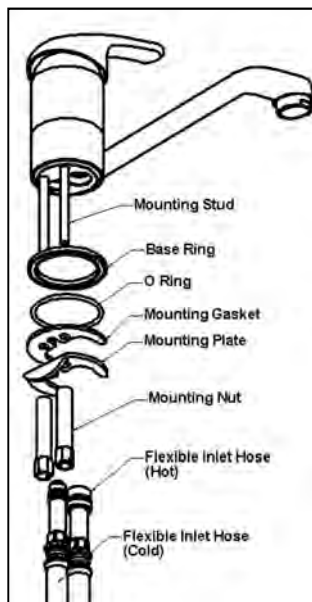
Connect the flexible inlet hoses to the mixer body. The hot hose is marked with red stainless braiding.

Fit the base ring and O ring to the base of the sink mixer.

Place the hoses through the bench.

Fit the mounting gasket, the mounting plate and tighten the mounting nuts.

Two rubber washers are provided for the flexible hose connections to the nipples. Machined nipple ends are required to ensure a seal to the flexible hose nuts



### **Installation Instructions Basin Mixer**

A 35mm diameter hole is required in the bench top.

The bench top cannot exceed 40mm thick.

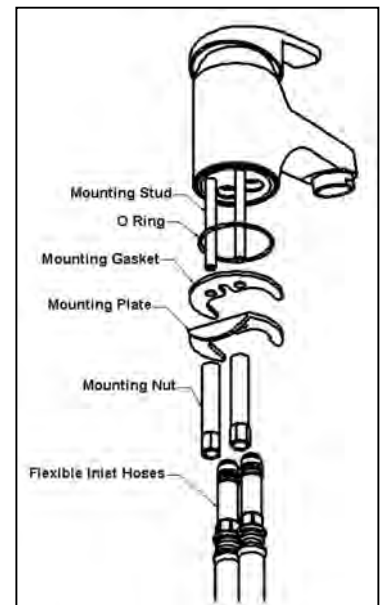
Screw the mounting studs into the bottom of the basin mixer.

Connect the flexible inlet hoses to the mixer body. Fit the O ring to the base of the basin.

Place the hoses through the bench.

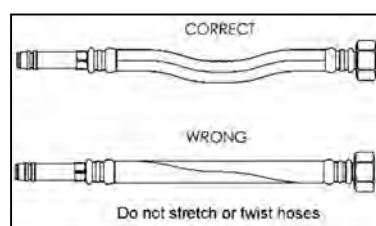
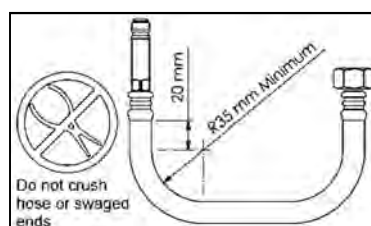
Fit the mounting gasket, the mounting plate and tighten the mounting nuts.

Two rubber washers are provided for the flexible hose connections to the nipples. **Machined nipple ends are required to ensure a seal to the flexible hose nuts**



**For unequal pressure installations** remove the red perlator by unscrewing the housing and replace it with the grey flow director supplied, using the O ring to seal

### **Hose Requirements**



### Ceramic Cartridge Adjustment

Do not remove the ceramic cartridge from the mixer while carrying out the following adjustments.

**NOTE:** The cartridge is factory set for maximum temperature.

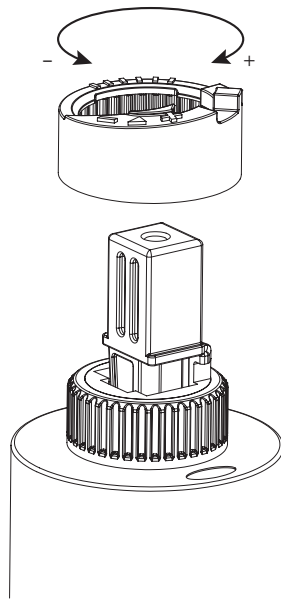
### Temperature Adjustment

Remove the indicator for the lever handle by carefully popping out with a small flat screw driver.

Using a 2.5mm hex key, loosen the grub screw through the indicator hole in the handle.

Pull the handle off the mixer.

With pliers, carefully pull the red temperature limiting ring from the locator.



Turn the temperature limiting ring clockwise (+) to increase maximum hot temperature, anti-clockwise (-) to reduce the maximum hot temperature.

Replace the adjustment ring in the locator and push firmly to secure.

Reverse instructions to re-assemble.

METHVEN LTD

For you warranty please refer to [www.methven.com](http://www.methven.com) or call Customer Service

New Zealand  
0800 804 222

Australia  
1 300 638 483

UK  
0800 195 1602