

MODEL CAGH600X

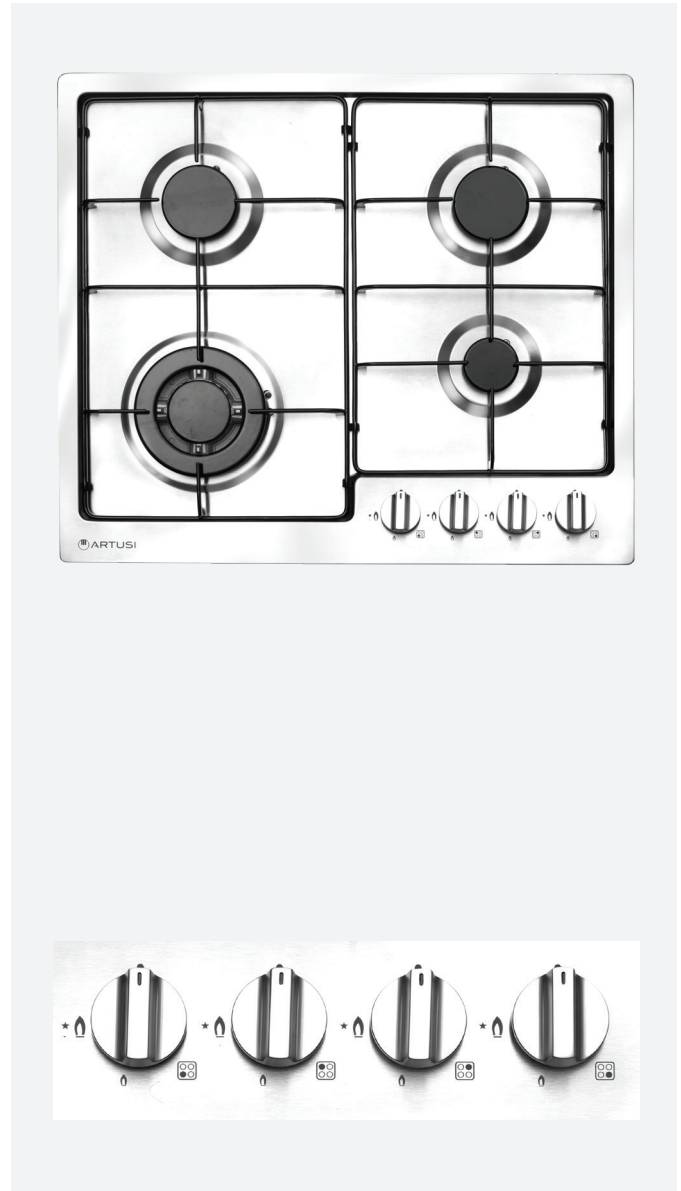


60CM GAS COOKTOP



PRODUCT INFORMATION

- top mount
- 4 gas burners, including wok
- stainless steel surface
- enamel trivets
- enamel burner caps
- Flame Failure device fitted to each burner
- automatic electronic ignition
- Burners & Power:
 - 1x wok: 3.8 kW/hr / 13.3 MJ/hr
 - 1x auxiliary: 1.0 kW/hr / 3 MJ/hr
 - 2x semi-rapid: 1.75 kW/hr / 5.25 MJ/hr
 - Total: 8.3 kW/hr / 24.9 MJ/hr
- pressed hob
- knob control



EAN 9347777002228

AR210818

DISCLAIMER

Eurolinx PTY LTD, is continually seeking ways to improve the design specifications, aesthetics and production techniques of its products. As a result alterations to our products and designs take place continually. Whilst every effort is made to produce information and literature that is up to date, this brochure should not be regarded as an infallible guide to the current specifications, nor does it constitute an offer for the sale of any particular product. Product dimensions indicated in our literature is indicative only. Actual product only should be used to define dimension cut outs. Distributors, and retailers are not agents of Eurolinx and are not authorized to bind Eurolinx by any express or implied undertaking or representation.

FOLLOW US ON: [instagram.com/artusi_appliances](https://www.instagram.com/artusi_appliances)

www.linkedin.com/company/eurolinx-pty-ltd-t-a-lve/

Australia National Telephone Number 1300 (694 583) New Zealand Telephone Number 64 3 344 5913
 Artusi showroom hours: Tuesday to Friday - 9am-5pm, Saturday - 10am-4pm, Sunday and Monday - closed
 * Melbourne showroom hours: Tuesday to Saturday - 10am-4pm

artusi.com.au

NSW & ACT (Head Office)
 48-50 Moore Street
 Leichhardt
 F 02 8569 4699

VIC & SA
 1211 Toorak Road
 Camberwell
 F 03 9809 2155

QLD
 1/42 Cavendish Road
 Coorparoo
 F 07 3397 0850

WA & NT
 Unit 10/55 Howe Street
 Osborne Park
 F 08 9201 9188

TAS
 3 Pear Avenue
 Derwent Park
 P 03 6272 7386

New Zealand
 PO Box 11,160
 Sockburn Christchurch
 F 03 344 5906

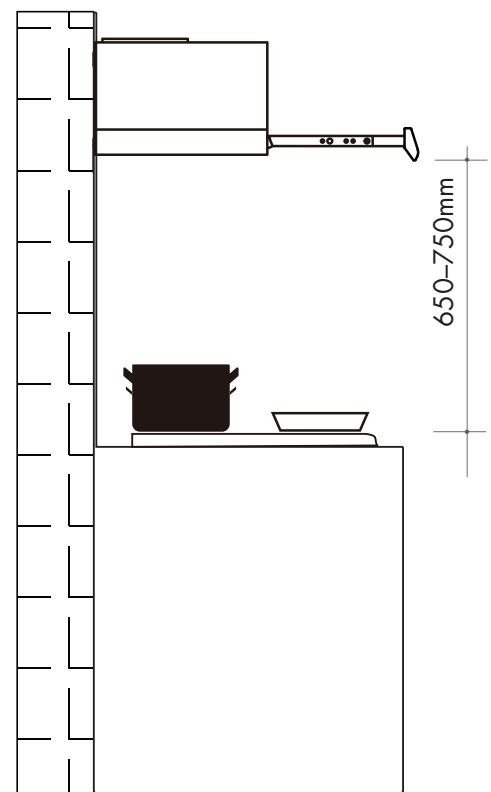
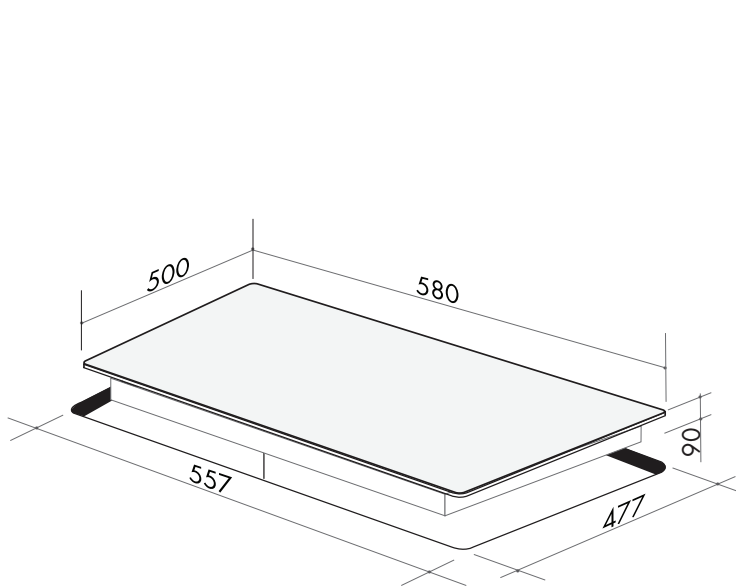
MODEL CAGH600X



60CM GAS COOKTOP



TECHNICAL DIAGRAM



NB: drawings are not to scale — they are to be used for detailed installation instructions, please refer to user guide.

EAN 9347777002228

AR200818

DISCLAIMER

Eurolinx PTY LTD, is continually seeking ways to improve the design specifications, aesthetics and production techniques of its products. As a result alterations to our products and designs take place continually. Whilst every effort is made to produce information and literature that is up to date, this brochure should not be regarded as an infallible guide to the current specifications, nor does it constitute an offer for the sale of any particular product. Product dimensions indicated in our literature is indicative only. Actual product only should be used to define dimension cut outs. Distributors, and retailers are not agents of Eurolinx and are not authorized to bind Eurolinx by any express or implied undertaking or representation.

CAG600X Built-in Cooktop

Electrical Connection: 10 amp GPO plug and lead

Gas Consumption: 8.3 kW/hr / 24.9 MJ/hr

OVERALL: 580W x 500D x 90H

CUT OUT: 557W x 477D

FOLLOW US ON: [instagram.com/artusi_appliances](https://www.instagram.com/artusi_appliances)

www.linkedin.com/company/eurolinx-pty-ltd-t-a-ilve/

Australia National Telephone Number 1300 (694 583) New Zealand Telephone Number 64 3 344 5913
 Artusi showroom hours: Tuesday to Friday - 9am-5pm, Saturday - 10am-4pm, Sunday and Monday - closed
 * Melbourne showroom hours: Tuesday to Saturday - 10am-4pm

[artusi.com.au](https://www.artusi.com.au)

NSW & ACT (Head Office)
 48-50 Moore Street
 Leichhardt
 F 02 8569 4699

VIC & SA
 1211 Toorak Road
 Camberwell
 F 03 9809 2155

QLD
 1/42 Cavendish Road
 Coorparoo
 F 07 3397 0850

WA & NT
 Unit 10/55 Howe Street
 Osborne Park
 F 08 9201 9188

TAS
 3 Pear Avenue
 Derwent Park
 P 03 6272 7386

New Zealand
 PO Box 11,160
 Sockburn Christchurch
 F 03 344 5906