







ADW4500X

45cm-wide freestanding dishwasher

- SIZE mm** 448W x 600D x 845H
- FINISH** stainless steel control panel
- CAPACITY** 9 place settings
- FEATURES**
 - electronic control panel with LED display
 - 6 wash programs
 - height-adjustable upper basket
 - 3-in-1 function
 - 49 dBA
 - delay start 1–24 hours
 - half wash option
 - natural drying
 - cold water connection
 - 1500mm inlet hose
 - 1500mm outlet hose
 - child lock
- POWER** 10 amp, 3-pin plug



PROGRAM	LOAD	CYCLE	DETERGENT pre/main gr	DURATION minutes	ENERGY kW/hr	WATER litres
intensive 	for heaviest soiled loads, eg pots, pans, casserole dishes, and dishes that have been sitting with dried food on them for a while	prewash 40°C/main wash 55°C rinse/rinse/hot rinse 65°C drying	4/22 (or 3-in-1)	137	1.10	15
heavy 	for heavily soiled loads, eg pots, plates, glasses and lightly soiled pans; standard daily cycle	main wash 60°C rinse/rinse/hot rinse 65°C drying	4/22 (or 3-in-1)	122	1.0	11.5
normal* 	for normally soiled loads, eg plates, glasses, bowls and normally soiled pans	main wash 44°C rinse/hot rinse 46°C drying	4/22 (or 3-in-1)	110	0.56	9.2
rinse 	for dishes that need to be rinsed and dried only	prewash hot rinse 70°C drying	4/22	60	0.69	6
rapid 	a shorter wash for lightly soiled loads that do not need drying	main wash 40°C hot rinse 50°C	15	43	0.48	6
soak 	to rinse dishes that you plan to wash later that day	prewash	-	8	0.01	3.3

* AS/NZS 2007.1: Test cycle program | √ Rinse Aid required
 NB: We recommend opening door 50mm at end of wash to assist drying

EAN 9347777001139

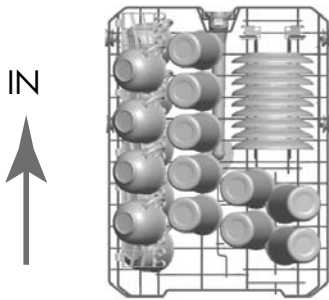
DISCLAIMER

EuroInx Pty Ltd, trading as ARTUSI Appliances, is continually seeking ways to improve the design specifications, aesthetics and production techniques of its products. As a result alterations to our products and designs take place continually. Whilst every effort is made to produce information and literature that is up to date, this brochure should not be regarded as an infallible guide to the current specifications, nor does it constitute an offer for the sale of any particular product. Product dimensions indicated in our literature is indicative only. Actual product only should be used to define dimension cutouts. Distributors, and retailers are not agents of ARTUSI Appliances and are not authorized to bind ARTUSI Appliances by any express or implied undertaking or representation.

ADW4500X

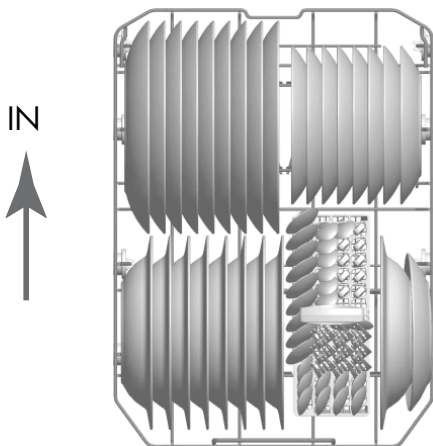
45cm-wide freestanding dishwasher

UPPER LOADING

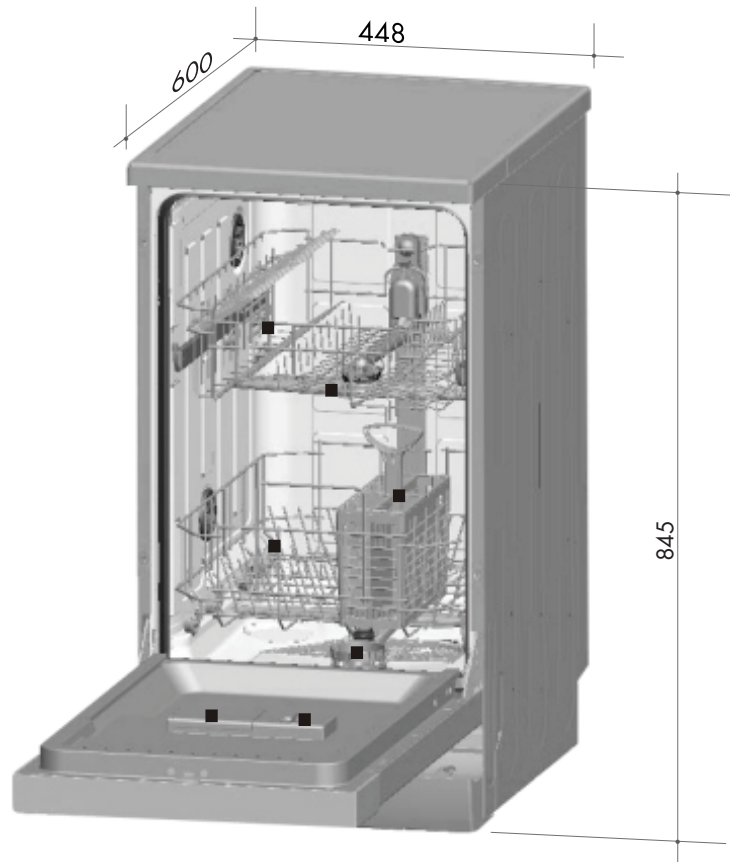


The upper basket is designed to hold more delicate and lighter dishware such as glasses, coffee and tea cups and saucers, as well as small plates and bowls and shallow pans (provided they are not too soiled).

LOWER LOADING



We recommend that you place large items that are most difficult to clean into the lower basket (pots, pans, lids, serving dishes and bowls). It is preferable to place serving dishes and lids on the side of the baskets in order to avoid blocking the rotation of the top spray arm. Pots, serving bowls etc must always be placed top down. The bottom basket features fold-down tine rows so that larger pots and pans can be loaded. Deep pots should be lanted to allow water to flow out.



NB: drawings are not to scale — they are to be used as a guide only.
For detailed installation instructions, please refer to user guide.

Australia National Telephone Number 1300 694 583 New Zealand Telephone Number 0508 458 369
ARTUSI showrooms are open Tuesday to Friday from 9am-5pm and Saturdays 10am-4pm

artusi.com.au

NSW & ACT (head office)

48 Moore Street
Leichhardt
02 8569 4699

VIC | SA

1211 Toorak Road
CAMBERWELL
03 9809 2155

TASMANIA

Crisp Ikin
3 Pear Avenue
DERWENT PARK 7009
03 6272 7386

QLD

1/42 Cavendish Road
COORPAROO
07 3397 0850

WA | NT

10/55 Howe Street
OSBORNE PARK
08 9201 9188

New Zealand

PO Box 11.160
Sockburn Christchurch
03 344 5913