

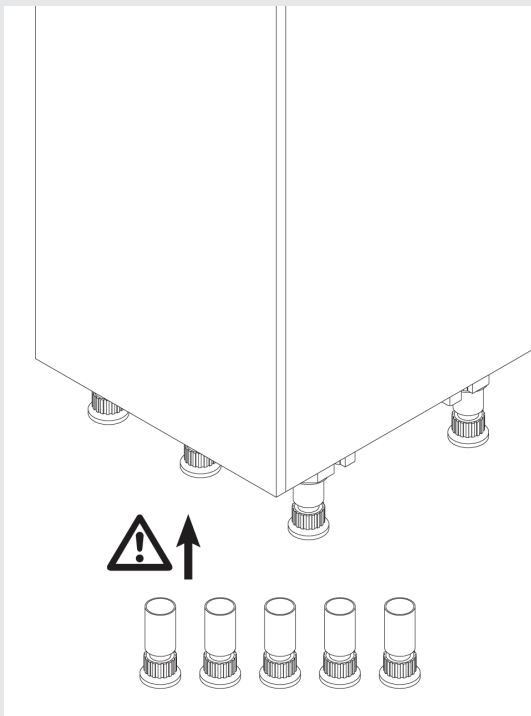
# VAUTH-SAGEL CARE & MAINTENANCE

## Installation Note for Pantry Units

Ensure sufficient support is installed under the mechanism runner.

Depending on the model (check yours!), pantries may have a sliding capacity of 75kg or 80kg.

Extra support installed under the runner **at time of installation** is essential to prevent bowing/sagging of your pantry base, which compromises opening and closing action.



## Use and Maintenance

Regularly remove crumbs, sticky residue or other matter from near and on runners and other moving parts using a soft brush or damp cloth.

Be familiar with the load capacity of your Vauth-Sagel unit and do not exceed it. (Load capacities for Vauth-Sagel units are on our website.)

## Cleaning Your Vauth-Sagel Pull Out Kitchen Storage Unit

To ensure you get the most out of your unit, Vauth-Sagel recommend the following:

- Rinse with water and wipe dry with a clean cloth or chamois leather
- For more tenacious stains, use:
  - a little warm vinegar
  - normal cleaning products **not containing abrasive powders**
  - a solution of equal parts water and alcohol
- The following are NOT suitable for cleaning your Vauth-Sagel unit:
  - Metal pads
  - Hydrochloric acid
  - Bleach
  - Any products containing abrasive powders, diluents or acetone