



# POOL FENCING INSTALLATION GUIDE



## IMPORTANT

Please Read carefully through this installation guide prior to starting the setting out of your new fence. Setting out the wall accurately and correctly will be the difference between a good and a great result.

DESIGN VERSATILITY | BUILT TO LAST | ULTRA CLEAR GLASS | EASY CONSTRUCTION

**scenik**  
invisibly superior

## INTRODUCTION

Thank you for choosing one of our quality products. We are the industry leaders in frameless glass fences. This product will provide you with years of trouble free protection if installed in accordance with these directions.

The recommendations detailed in this guide produced by BelAire are formulated along the lines of good building practice. They are not intended to be an exhaustive statement of all the relevant data. Further, as the success of projects depend on factors outside the control of BelAire (e.g. Quality of workmanship, particular design, detail requirements, etc), BelAire accepts no responsibility for, or in connection with, the quality of the projects or their suitability when completed.

If you are in any doubt please seek independent advice or contact BelAire. We are always happy and available to answer questions regarding installation no matter how small or insignificant you think they may be.

Technical and installation advice is available on 0800 235 2473

## WHY CHOOSE BELAIRE?

### CLEAR

BelAire frameless glass pool fencing and balustrade is invisibly superior - it's crystal clear without the green tint you get with inferior brands. Enjoy lounging by the pool on the deck with nothing to interrupt your view. Relax behind a strong, effective wind barrier and take in all-day sunshine as BelAire casts no shadows!

### SAFE

With uninterrupted views, you'll always be able to keep your eye on the kids as they play in the pool. And with 12mm thick toughened safety glass with polished bevel edges, you'll know they'll also be safe and sound outside the fence. Our gates also use a self-closing hinge with a side pull latch, so you'll know they'll never be left open by mistake.

### VERSATILE

BelAire can be installed on a variety of surfaces, including tiled areas, pavers, timber decks, concrete and across landscaped areas - making it a truly versatile option for pools, water features, patios, decking, and natural settings. The modern architectural look can also be customised from our selection of elegant, corrosion-resistant, mini posts, latches and hinges to match your property.

### EASY

It's so simple to clean and maintain - with no frames to collect water and dust, and with corrosion-resistant hardware throughout, it will remain sparkling with minimum effort. It's also simple to install - most home owners would find the system quick and easy to install using basic tools that they would have in their shed. If you'd rather get someone else to install it, we have a list of preferred installers throughout NZ. Call us on 0800 235 2473 and we will put you in touch with an installer in your area.

### COMPLIANT

Our toughened safety glass that comes with the PAS Mark AS/NZS2208 marking on every panel. Should you require a PS1 to submit with you pool or building permit request, you can download one from our website: [www.belairefencing.co.nz](http://www.belairefencing.co.nz)

You will require a handrail on your balustrade or pool fencing if there is a drop of more than 1m on one side. Scenik slimline handrails are manufactured from polished stainless steel to create a sophisticated finish that does not diminish the appearance of your glass fencing. They are also very strong and fully compliant to NZS4223:2016.

## ! IMPORTANT!

Throughout this installation guide you will see information boxes marked as **IMPORTANT**.

We recommended the reader pays particular attention to them to ensure a satisfactory installation and the long term performance of the products.

# BEFORE YOU BEGIN

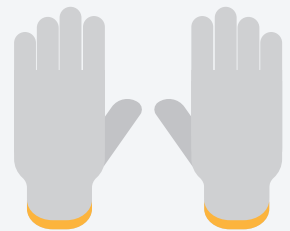
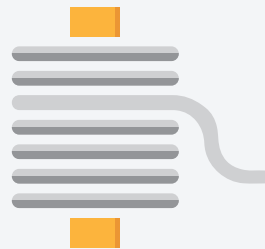
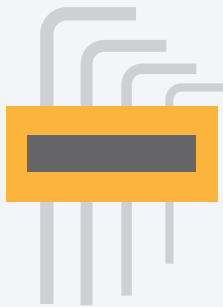
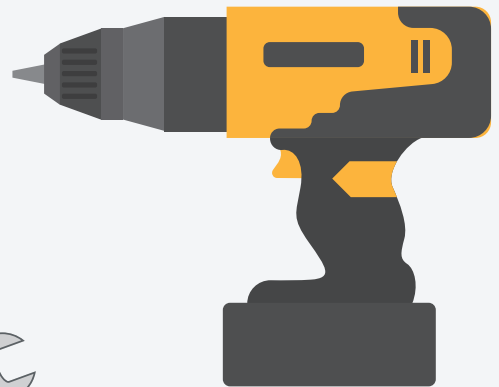
Consult your local council before installing a pool fence to ensure compliance with any local by-laws. Council regulations vary from region to region and your local council can help with decisions on distances and heights of fences from neighbours and pavements.

Mandatory safety regulations need to be strictly adhered to.

## ! TOOLS REQUIRED

To help make your pool fence installation project go well, Each stage of this installation guide shows which tool will be required.

Below is what you'll need before you begin

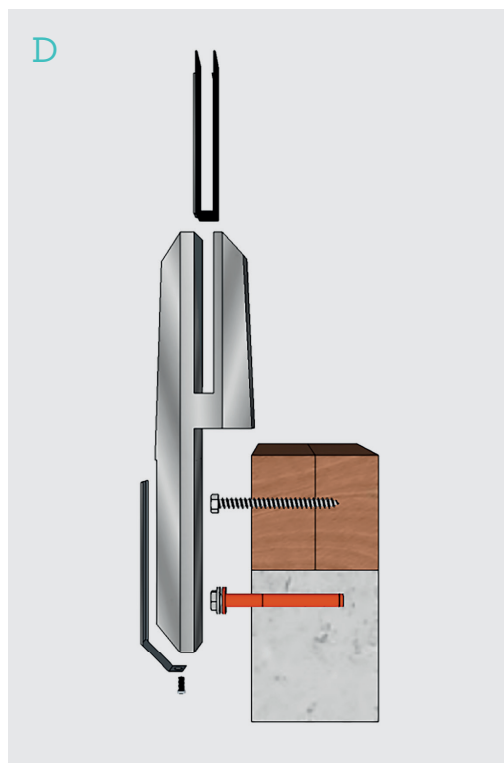
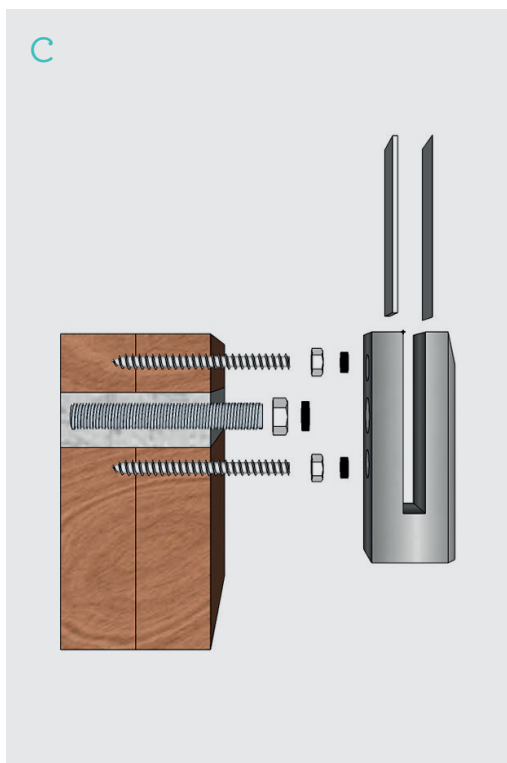
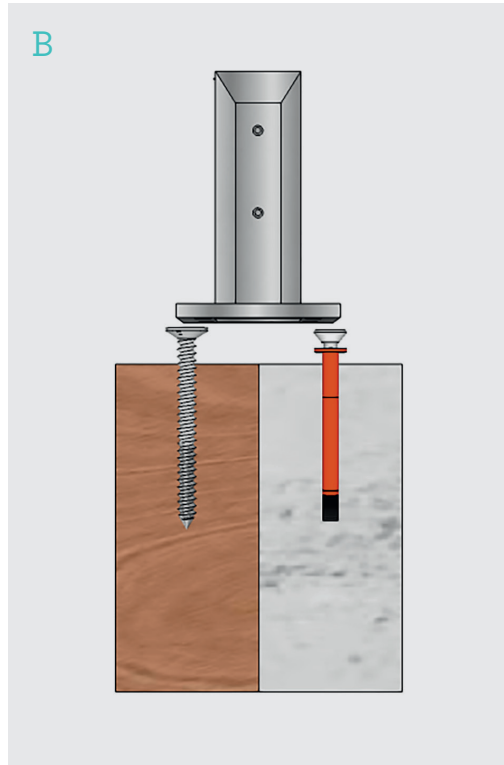
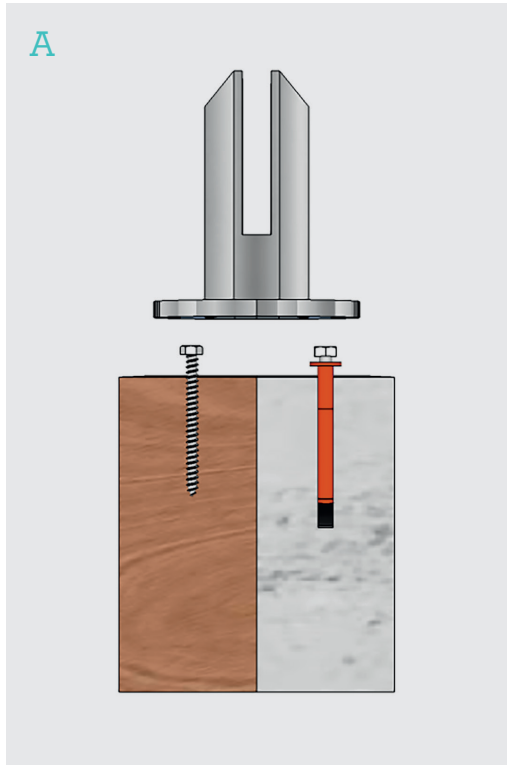




# SPIGOT FIXINGS

## AT A GLANCE

Below is a Guide to Show what type of Fixings are required for each spigot.



## YOU WILL NEED:

- Spigots
- Fixings

### SPIGOT TYPE 1

PART NO: SCEPSOP (Milford)

#### CONCRETE

SCECHX Nylon Concrete anchor  
SCETHR12 Threaded rod and chemset

#### TIMBER

SCETHX Timber Coach Screw

### SPIGOT TYPE 2

PART NO: SCEPSSP (Tekapo)

#### CONCRETE

SCECCSK Nylon Concrete anchor  
SCETHR8 Threaded rod and barrel nut with chemset

#### TIMBER

SCETCSK Timber CSK Screw

### SPIGOT TYPE 3

PART NO: SCEFMS (Aoraki)

#### CONCRETE

18mm Threaded rod and chemset

#### TIMBER

Lag Screw

### SPIGOT TYPE 4

PART NO: SCESMS (Kaweka)

#### CONCRETE

SCECHX Nylon Concrete anchor

#### TIMBER

SCETHX Timber Coach Screw

## ! IMPORTANT!

If these fixings methods shown here are not viable for your application, please contact BelAire Fencing for further instructions.

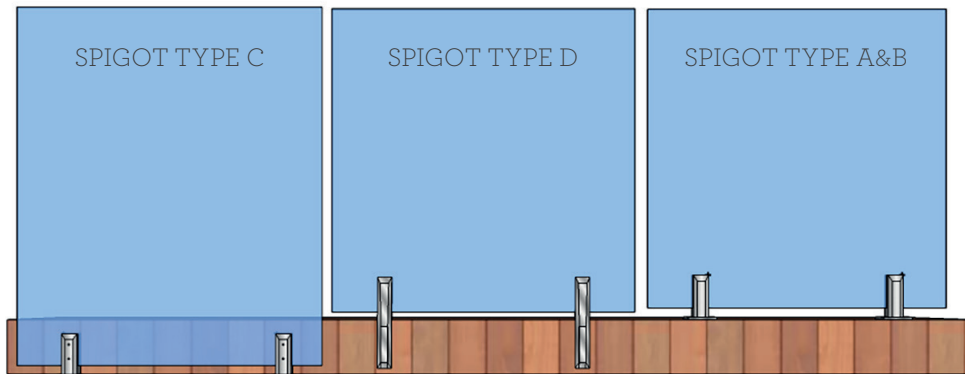




# GLASS PANEL SIZES

## PANEL SIZE GUIDE

Glass fencing creates a spectacular surround to your pool area.



### HEIGHT FROM DECKING SURFACE TO UNDER SIDE OF GLASS

TEKAPO SPIGOTS	60mm
MILFORD SPIGOTS	50mm
KAWEKA SPIGOTS	30mm
AORAKI SPIGOTS	-120mm

Order Code	Width	Height	Distance from Edge to Spigot (X)	Thickness	Sqm	Glass Weight KGS	Corner Radius
SCE0312PP	300mm	1200mm	75mm	12mm	0.36	11kg	2mm
SCE0412PP	400mm	1200mm	75mm	12mm	0.48	14kg	2mm
SCE0512PP	500mm	1200mm	100mm	12mm	0.60	18kg	2mm
SCE0612PP	600mm	1200mm	100mm	12mm	0.72	22kg	2mm
SCE0712PP	700mm	1200mm	100mm	12mm	0.84	25kg	2mm
SCE0812PP	800mm	1200mm	150mm	12mm	0.96	29kg	2mm
SCE0912PP	900mm	1200mm	150mm	12mm	1.08	32kg	2mm
SCE1012PP	1000mm	1200mm	150mm	12mm	1.20	36kg	2mm
SCE10512PP	1050mm	1200mm	200mm	12mm	1.26	37kg	2mm
SCE1112PP	1100mm	1200mm	200mm	12mm	1.32	38kg	2mm
SCE11512PP	1150mm	1200mm	200mm	12mm	1.38	41kg	2mm
SCE1212PP	1200mm	1200mm	200mm	12mm	1.44	43kg	2mm
SCE12512PP	1250mm	1200mm	200mm	12mm	1.50	45kg	2mm
SCE1312PP	1300mm	1200mm	200mm	12mm	1.56	47kg	2mm
SCE13512PP	1350mm	1200mm	200mm	12mm	1.62	49kg	2mm
SCE1412PP	1400mm	1200mm	250mm	12mm	1.68	50kg	2mm
SCE14512PP	1450mm	1200mm	250mm	12mm	1.74	53kg	2mm
SCE1512PP	1500mm	1200mm	250mm	12mm	1.80	54kg	2mm
SCE15512PP	1550mm	1200mm	250mm	12mm	1.86	56kg	2mm
SCE1612PP	1600mm	1200mm	250mm	12mm	1.92	58kg	2mm

### ! IMPORTANT!

All measurements shown on the table are from the edge of the glass to the centre of the spigots.

# FRAMELESS GLASS BALUSTRADE PANELS

## PANEL SIZE GUIDE

A stylish safety barrier that requires minimal care. Perfect for both residential and commercial projects.



Order Code	Width	Height	Distance from Edge to Spigot (X)	Thickness	Sqm	Glass Weight KGS	Corner Radius
SCE0610BP	600mm	1000mm	100mm	12mm	0.60	18kg	2mm
SCE0710BP	700mm	1000mm	100mm	12mm	0.70	21kg	2mm
SCE0810BP	800mm	1000mm	150mm	12mm	0.80	24kg	2mm
SCE08510BP	850mm	1000mm	150mm	12mm	0.85	25.5kg	2mm
SCE0712PP	900mm	1000mm	150mm	12mm	0.90	27kg	2mm
SCE0910BP	950mm	1000mm	150mm	12mm	0.95	28.5kg	2mm
SCE09510BP	1000mm	1000mm	150mm	12mm	1.00	30kg	2mm
SCE1012PP	1050mm	1000mm	200mm	12mm	1.05	31.5kg	2mm
SCE10512PP	1100mm	1000mm	200mm	12mm	1.10	33kg	2mm
SCE1112PP	1150mm	1000mm	200mm	12mm	1.15	34.5kg	2mm
SCE11512PP	1200mm	1000mm	200mm	12mm	1.2	36kg	2mm
SCE1212PP	1250mm	1000mm	200mm	12mm	1.25	37.5kg	2mm
SCE12512PP	1300mm	1000mm	200mm	12mm	1.3	39kg	2mm
SCE1312PP	1350mm	1000mm	200mm	12mm	1.35	40.5kg	2mm
SCE1410BP	1400mm	1000mm	250mm	12mm	1.4	42kg	2mm

### ! IMPORTANT!

- Our glass panels are 12mm thick and made from toughened glass. It is highly unlikely to break unless handled poorly. Panels can/will shatter if the edges have been chipped from miss-handling the glass. Sliding the glass sideways in the spigots can also cause the glass to break.
- When installing glass, extreme care must be taken.



# FENCE LAYOUT

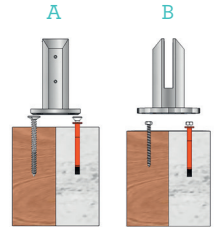
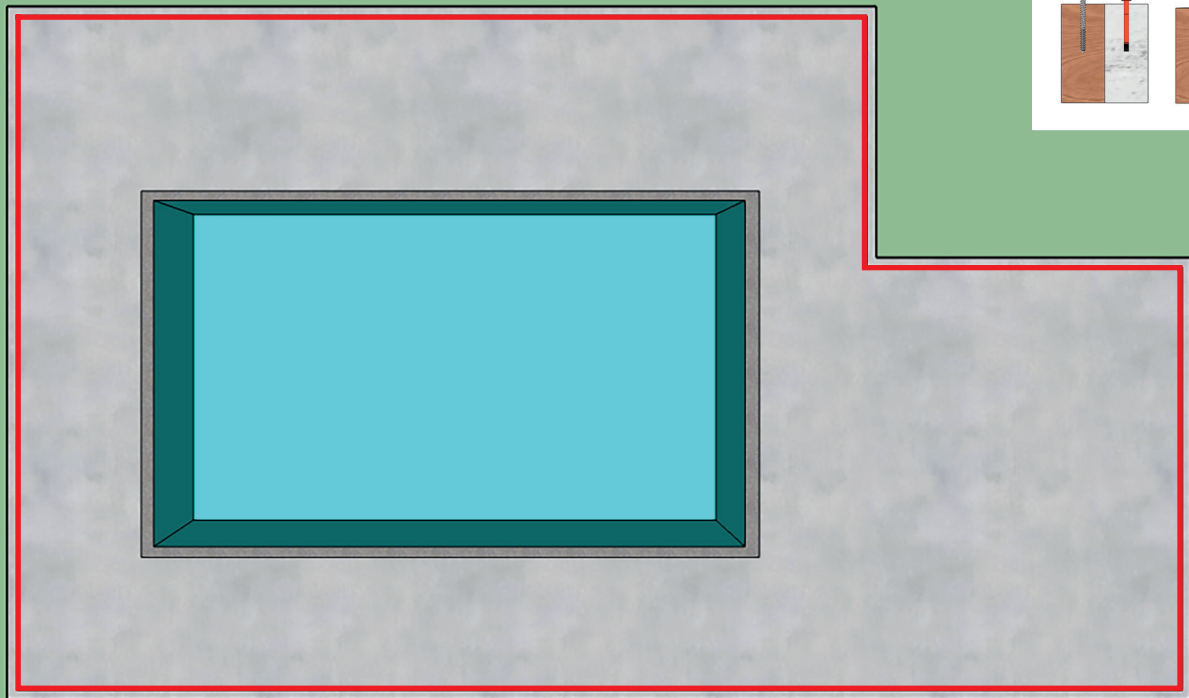
## STEP 01

Locate the centre of glass by placing a string-line or chalkline on the ground surface.

## YOU WILL NEED:

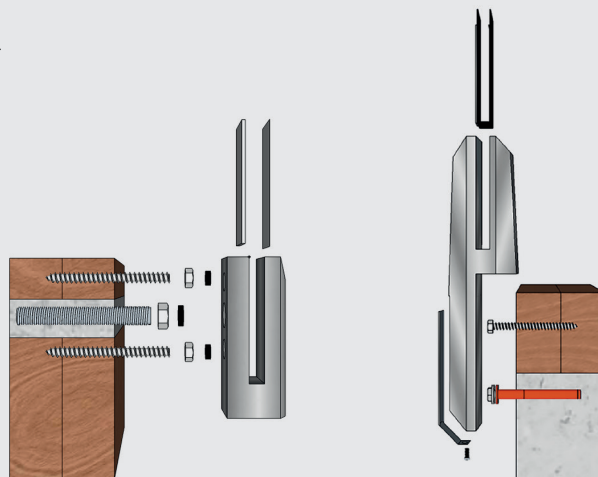
- Pencil
- Tape measure
- Chalk line/string-line

### TOP MOUNT



### SIDE MOUNT

For side mount spigots, please go to step 2.



### ! IMPORTANT!

- Fixings on concrete surfaces requires a minimum of 100mm from edge of concrete to your fixings.
- Fixings on timber surfaces requires a minimum of 65mm from edge of deck to the Centre of spigot.
- Not all surfaces are constructed in the same way so please double check the dimensions will work on your lay out.

# GLASS PANEL LAYOUT

## STEP 02

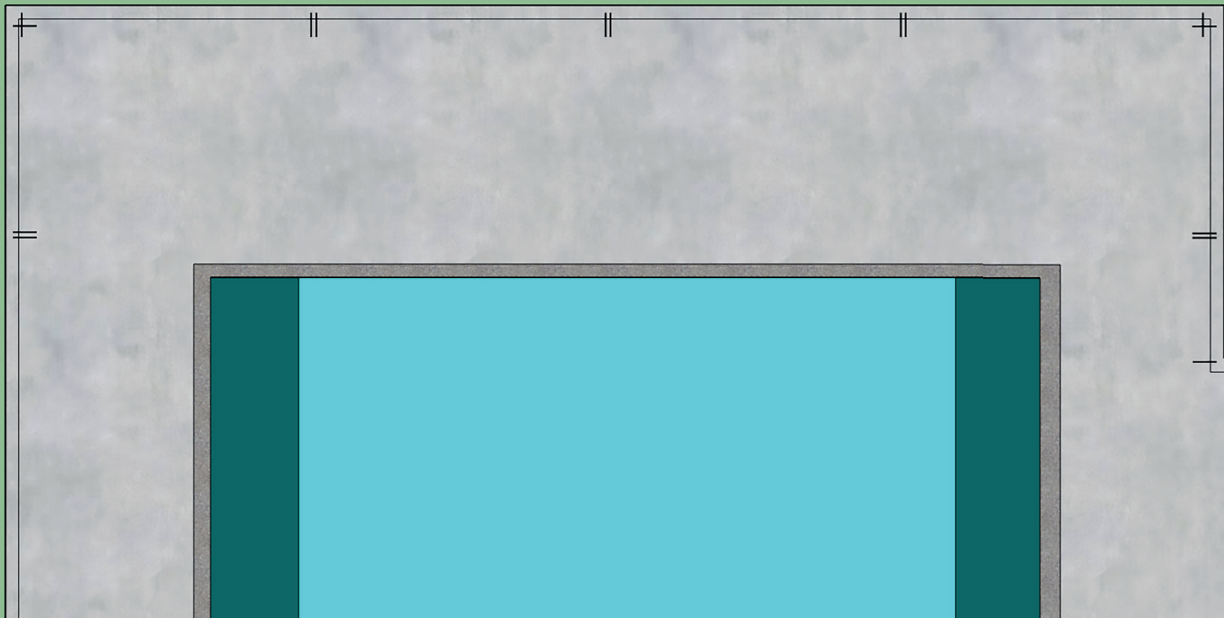
Mark with a pencil or masking tape the location of each glass panel. If you have received a glass layout from BelAire this will help with the process.



## YOU WILL NEED:

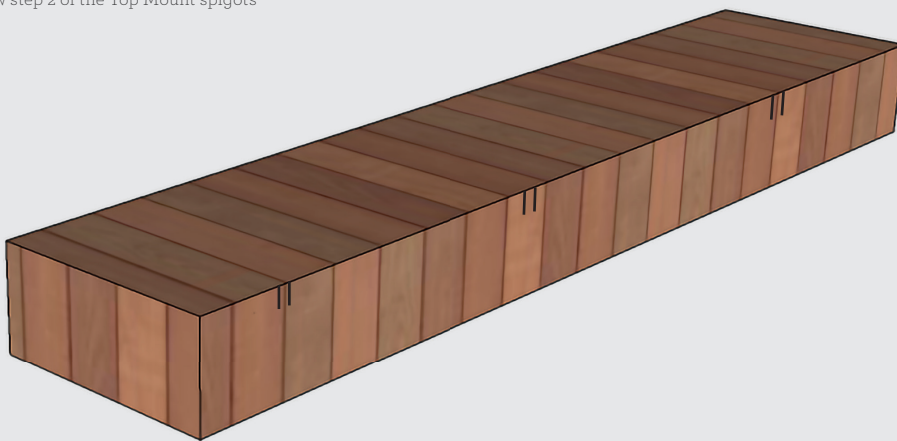
- Pencil
- Tape measure
- Chalk line/string-line
- Panel layout plan (If provided)

### TOP MOUNT



### SIDE MOUNT

Follow step 2 of the Top Mount spigots



### ! IMPORTANT!

- These marks will remain in place through out the entire process and will be used again for when the glass is placed into the spigots.
- Distances between panels can range from 15mm -75mm (not to exceed 100mm). 30mm is the ideal space between glass.
- Spacing between panels for glass to glass hinges and latches are 15mm and 26mm for glass to wall.

# SPIGOT POSITIONING

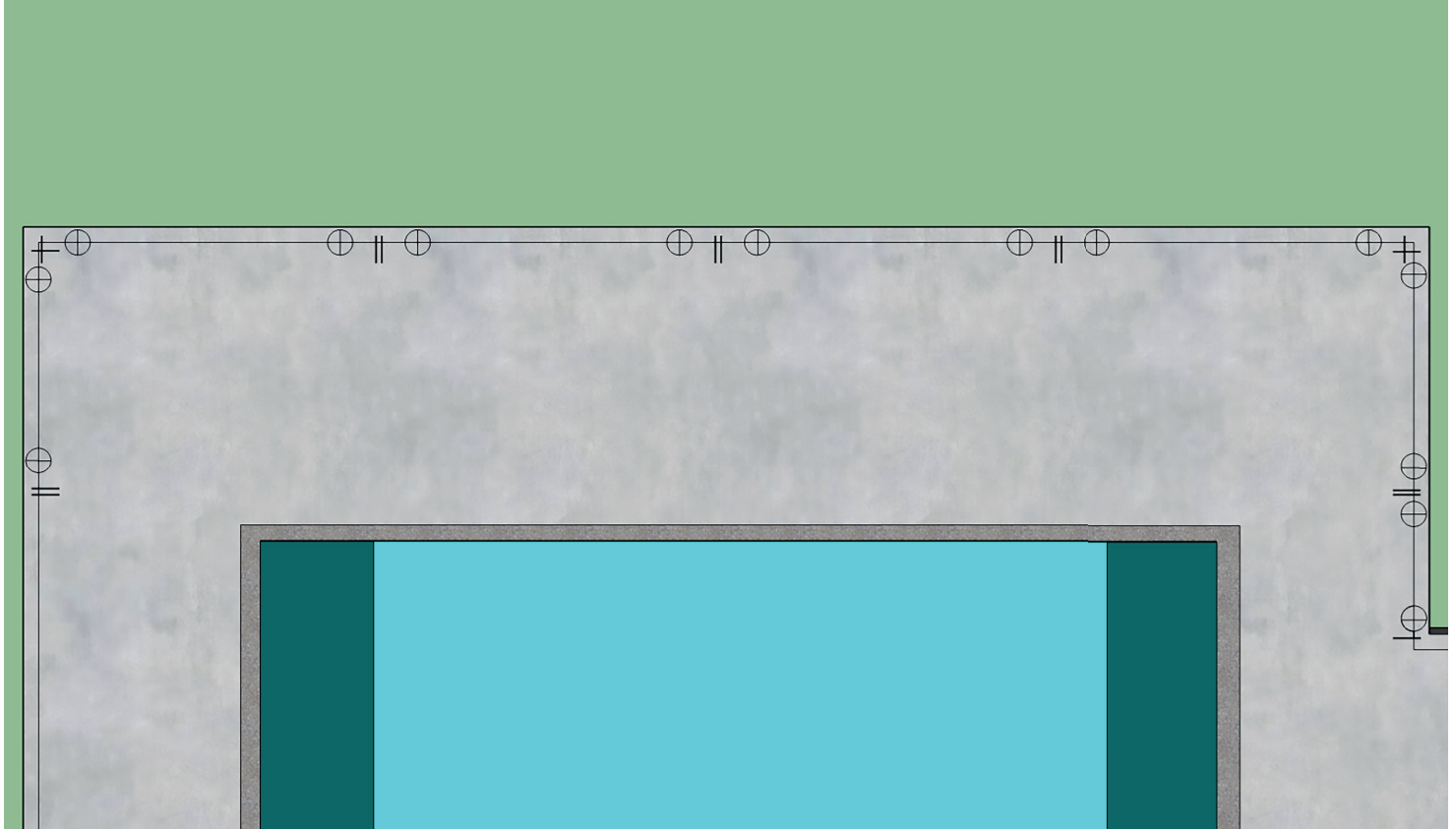
## STEP 03

Mark clearly the centre of the spigot location along the string line/ chalkline. (See the table on page 6 for spigot positioning).

## YOU WILL NEED:

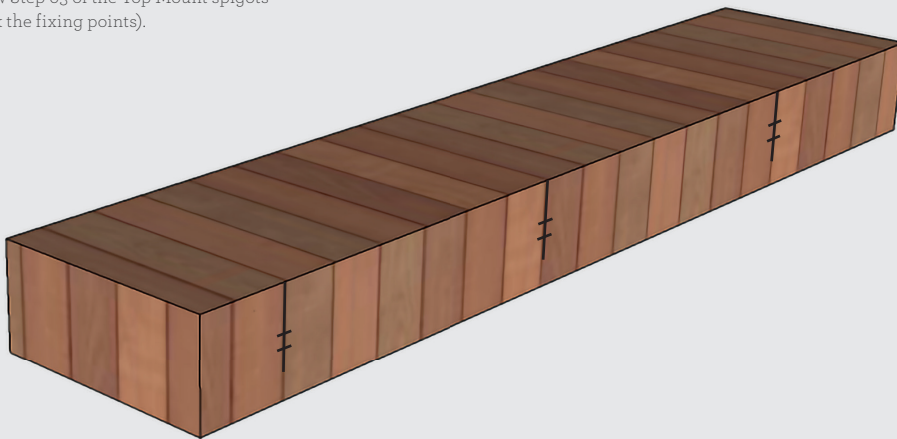
- Pencil
- Tape measure
- Chalk line/string-line
- Masking tape

### TOP MOUNT



### SIDE MOUNT

Follow Step 03 of the Top Mount spigots  
(Mark the fixing points).



### ! IMPORTANT!

- Fixings onto concrete surfaces requires a minimum of 75mm distance from edge of concrete to your fixings.
- Fixings on timber surfaces requires a minimum of 65mm distance from edge of deck to the Centre of spigot.
- Not all surfaces are constructed in the same way. Please double check the dimensions will work on your lay out. Spigots are located approximately 12.5% of the width of glass panel in from the edge of glass. (see table on page 7).



# SPIGOT INSTALLATION

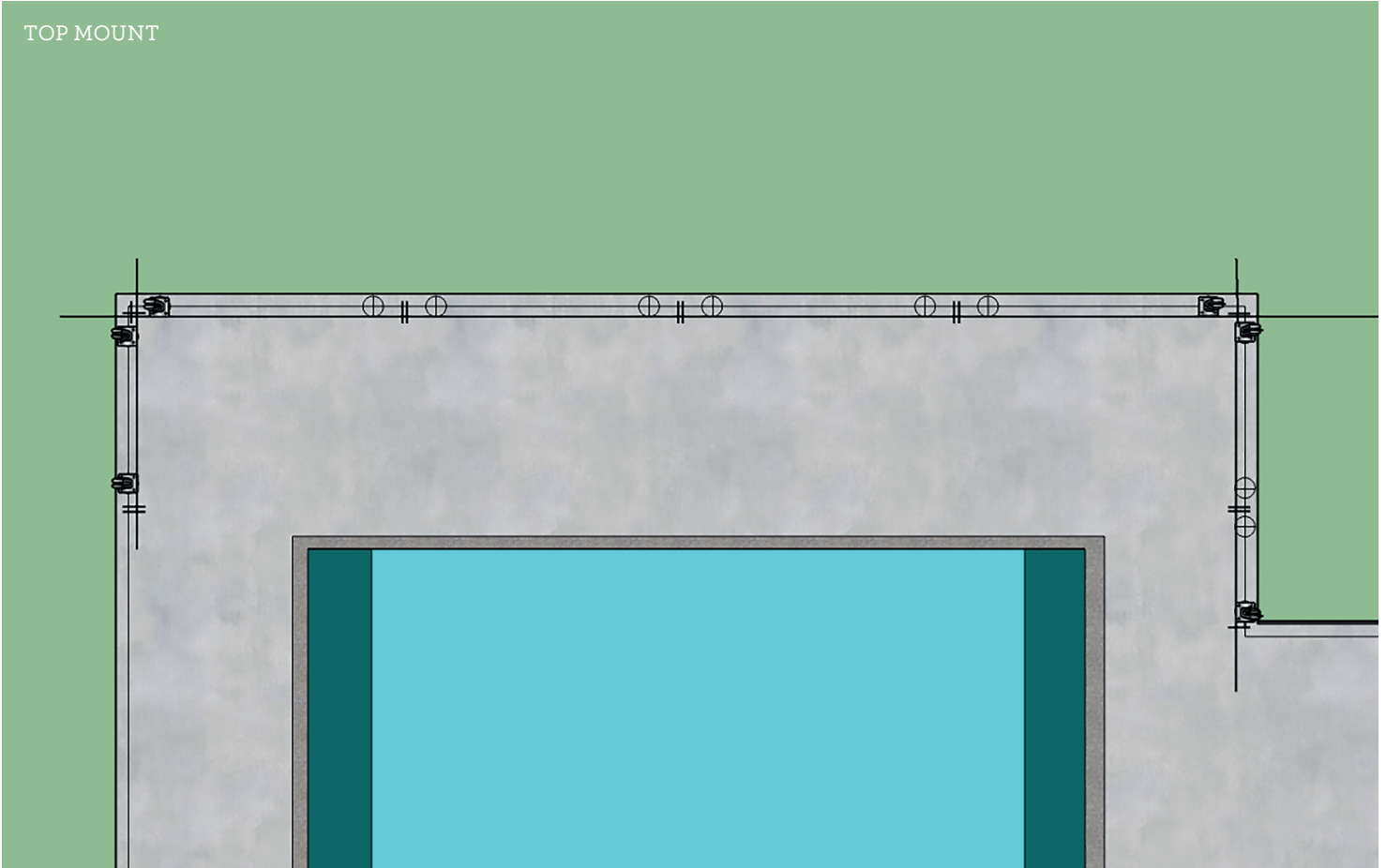
## STEP 04

Position the spigots at the ends of each run. Run a string line along the face of the end spigots. This ensures that when positioning the centre spigots you can make sure they are perfectly in line with each other.

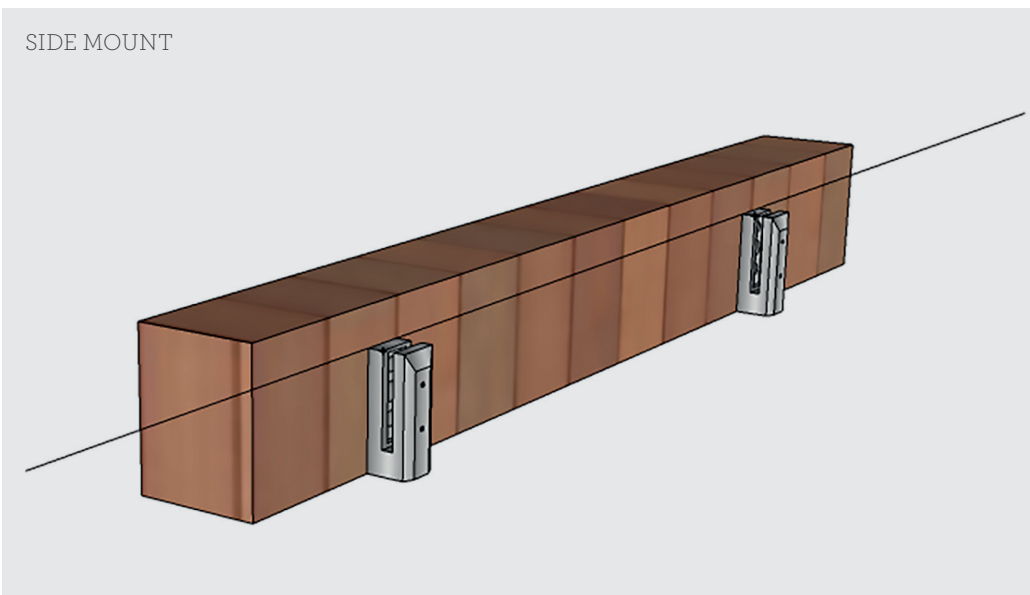
## YOU WILL NEED:

- Pencil
- Tape measure
- Chalk line/string-line

TOP MOUNT



SIDE MOUNT



## ! IMPORTANT!

- Make sure all spigots are orientated the same direction.
- Ensure that all spigots are straight and square to the string line to prevent glass breakage.
- If the surface the spigot is mounted to is unlevelled, run the string line through the throat of the spigot to set the correct height.
- Sidemount Spigot (D), does not require a stringline as it sits on the edge of the surface.

# GLASS POSITIONING

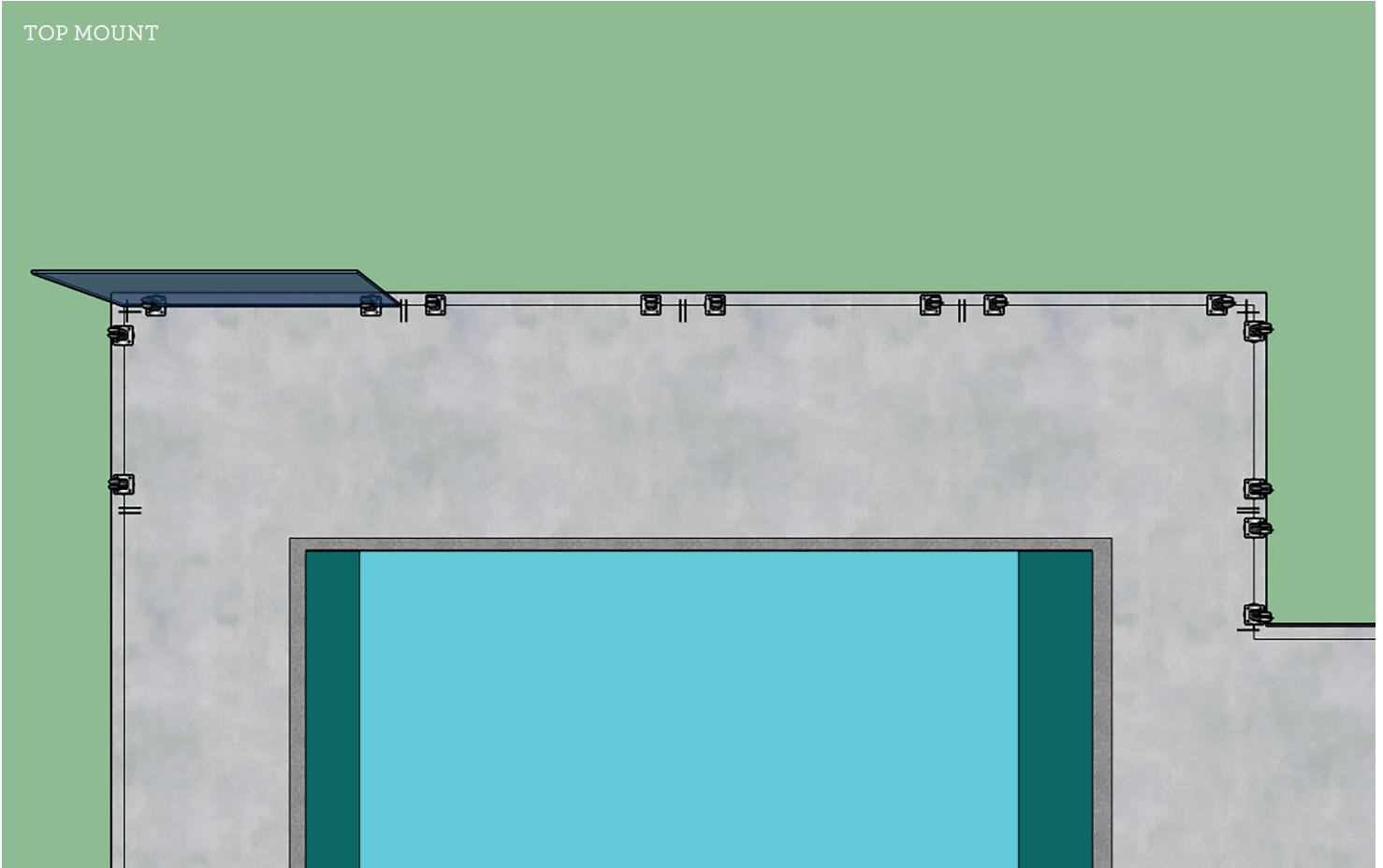
## STEP 05

With two People, Start placing the glass into the spigots. Align the edge of glass with the masking tape or pencil marks (As per Step 2) once in position tighten grub screws tightly while maintaining a plumb and level panel.

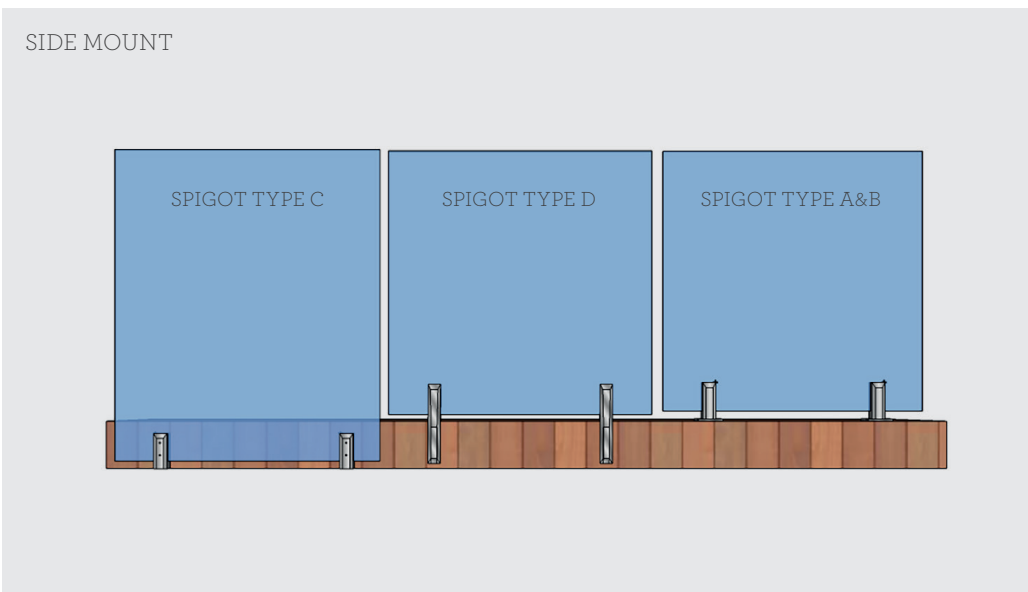
## YOU WILL NEED:

- Safety glasses
- Gloves
- Glass panels
- Allen key
- 2 people
- Spirit level

### TOP MOUNT



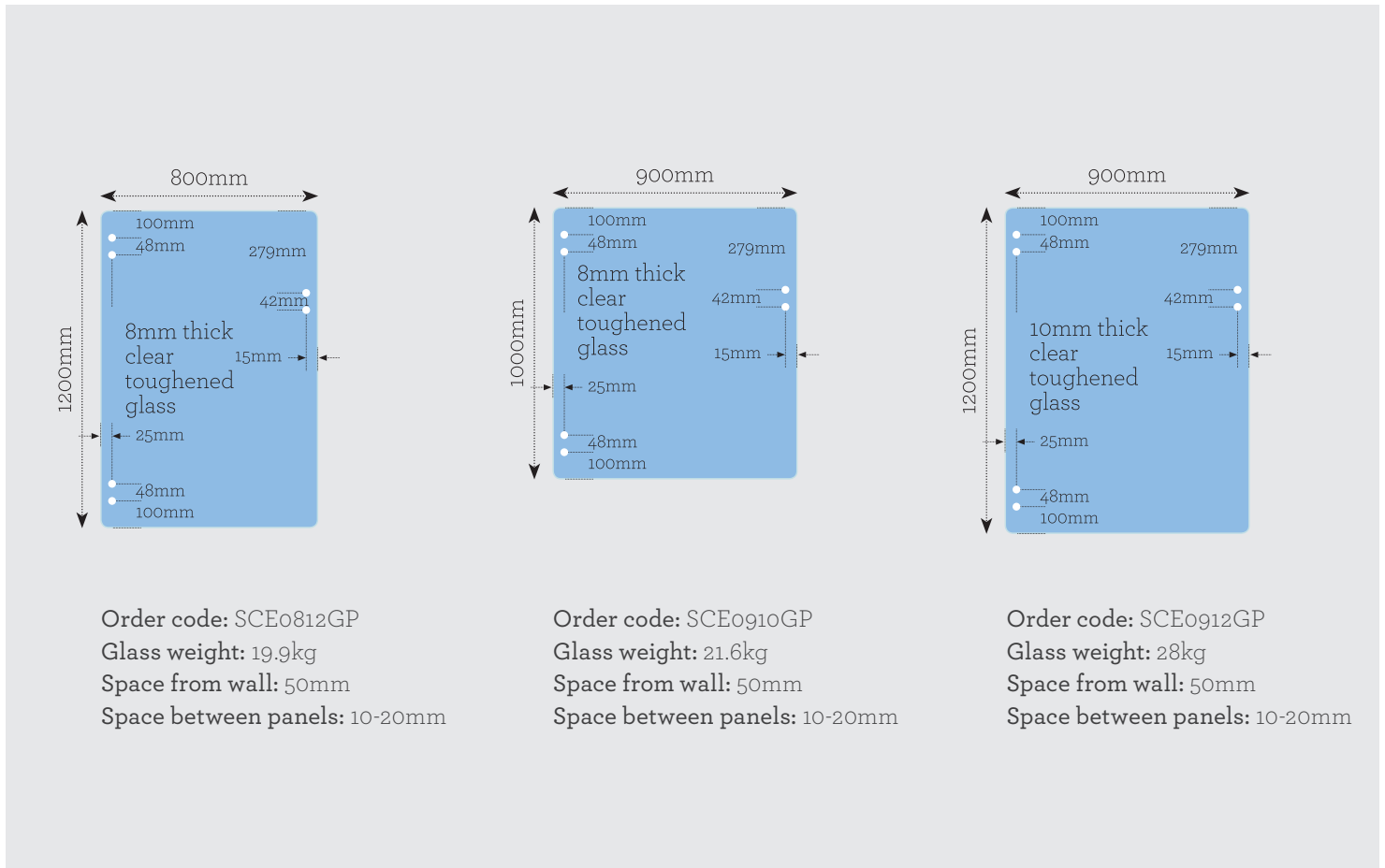
### SIDE MOUNT



### ! IMPORTANT!

- Make sure the cover plates have been placed on the spigots prior to glass fitting or you will have to remove your glass to get these on.
- Make sure the glass does not hit any hard surfaces, the glass is toughened and will shatter.
- Do not slide the glass inside the spigots.

# GATE INSTALLATION



## INSTALLATION STEP-BY-STEP

Follow the guide below for easy installation

### 1. Prep Hinges

Release any tension that may be on the spring hinges.

### 2. Prep Glass

Ensure that the round plastic sleeves have been inserted in the holes of the glass to prevent the steel from coming in contact with the glass.

### 3. Install

Fit hinge set to the hinge panel and gate panel.

### 4. Fit Gate Latch

Fit gate latch to the gate panel, (ensure the plastic sleeves are through the holes of the gate panel as per step 2).  
Ensure latch is aligned correctly or it won't close correctly.

### 5. Tension Hinges

Remove the top/bottom caps on hinge and with the use of an allen key turn clockwise to tension the internal spring, to prevent the spring from unwinding the small grub pin/screw will need to be inserted back in.

### 6. Adjust Hydraulic Hinge

**A:** Remove the top/bottom caps on hinge and with the use of an allen key turn clockwise to decrease the speed of the gate. To increase the speed turn anti-clockwise.

**B:** To reset the hydraulic hinge, turn clockwise fully then wind 2 and a half times back, then proceed with Step A.



# TROUBLE SHOOTING GUIDE

Below are some commonly asked questions or potential problems you may experience, if you have any questions that are not below, feel free to touch base with one of the team members from Scenik.

## How far from the end of the glass to the centre of the spigot?

Refer to table on page 6

## How close can I install the spigot to the edge of the concrete?

The minimum distance from the edge of the concrete to your fixings is 75mm.

## Can I pack underneath my spigots?

Yes you can. We do not recommend any more than 3-5mm. If you exceed this then the cover plate may begin to lift off the ground and rattle.

## Why does my gate not latch?

If your latch components are not completely aligned then this can cause the latch to not close properly. Unscrew the latch receiver and adjust the height accordingly.

If the gap between the gate and the latching panel/wall is too large the magnet may not activate and cause the gate latch to fail.

## Why are my hinges not self closing?

These may not have been set up correctly. Over time your hinge may need to be re-tensioned. You can do this by removing the caps on the top of the hinges and, with the use of an Allen key, the spring can be tightened by turning clockwise.

Re-insert the small pin to hold the tension in place.

## My glass has a Bow in it.

This is caused during the toughening process, New Zealand has a standard tolerance of up to 6mm per metre.

## Are glass fence panels strong?

Our glass panels are 12mm thick and made from toughened glass. It is highly unlikely to break unless handled poorly. Panels can/will shatter if the edges have been chipped from miss-handling the glass. Sliding the glass sideways in the spigots can also cause the glass to break.

When installing glass, extreme care must be taken.

## How do I get my glass straight?

With the use of small packers under the base of the spigot you can adjust the glass to level.

**NOTE:** 1 mm packer can move top of the glass up to 13mm.

Fine adjustments can be made with the grub screws in the side of the spigots. Glass clamps can be used to pull the glass into alignment and ensure the glass straightness for the life time of your fence.

## Do glass fencing or balustrades require maintenance?

Glass fencing, whether it's around your garden or pool, is very low maintenance and only requires cleaning occasionally to maintain it's clear appearance. Our stainless steel spigots also only require the occasional clean to keep shiny.

## Are glass pool gates secure for children?

Yes. Our auto-latching pool gates meet New Zealand's standards for safety, protecting children from entering your pool area unsupervised.

## Why has my gate dropped?

For the gate hardware to be fitted to the glass, sufficient clearances need to be made, with these clearances given you will get a small amount of drop in the gate over time as things settle, we have an acceptable tolerance of up to 5mm.







For more information, call us to speak to one of our friendly team:

0800 235 2473

**scenik**  
invisibly superior

BelAire Designer Fencing is a division of:

  
**storetech**  
INDUSTRIES LTD  
Better outdoor spaces

PO Box 3030, Hawke's Bay Mail Centre, Napier 4142 New Zealand

Tel (0800 235 2473) Fax 06 878 5758

Email [info@scenik.co.nz](mailto:info@scenik.co.nz)

[www.scenik.co.nz](http://www.scenik.co.nz)