

Green Back® Valves - 18, 19 , 21 mm



The 18 mm, 19 mm and 21 mm Green Back® valves have undergone significant improvements. The new design incorporates a new look and performance enhancements.

Features

- New co-moulded seal for smooth on/off operation and improved sealing.
- Straight through, unrestricted flow exceeds ISO 9911.
- New flow through design to reduce the risk of damage in frost conditions.
- 3/4" threaded inlet options.
- UV stabilised materials for long life.
- Excellent tube retention due to sharp acetal barb.

Applications

On-off device to control the water flow in low pressure irrigation systems. Irrigation from rain tanks or non-pressurised containers. When installed as an in-line valve always connect tubes to both inlet and outlet.



Green Back® Valve



Green Back® Valve

TYPE	ORDER CODE	PACK QUANTITY	PACKS PER CARTON	CARTON (kg)
GREEN BACK® VALVE 18 mm (Shank OD 18.0 mm)	45565	20	10	8.9
GREEN BACK® VALVE 19 mm (Shank OD 19.0 mm)	45525	20	10	8.7
GREEN BACK® VALVE 21 mm (Shank OD 21.0 mm)	45535	20	10	9.3

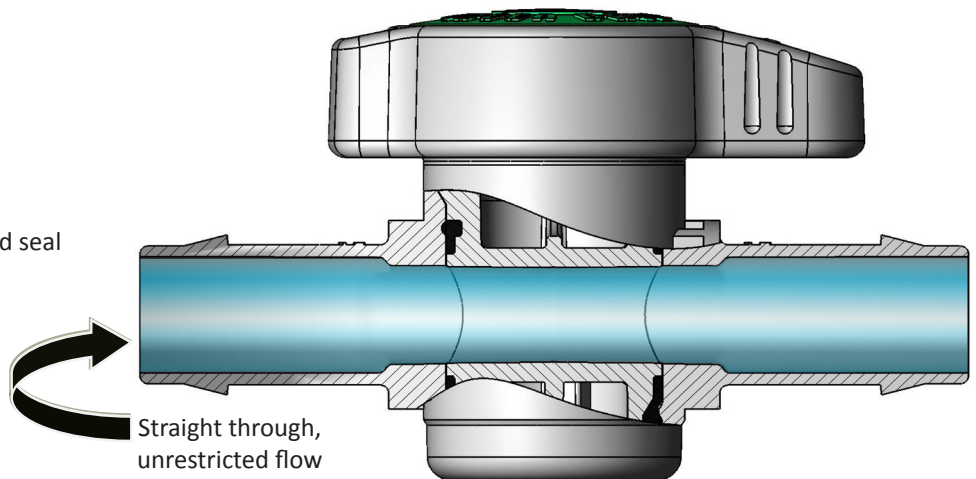
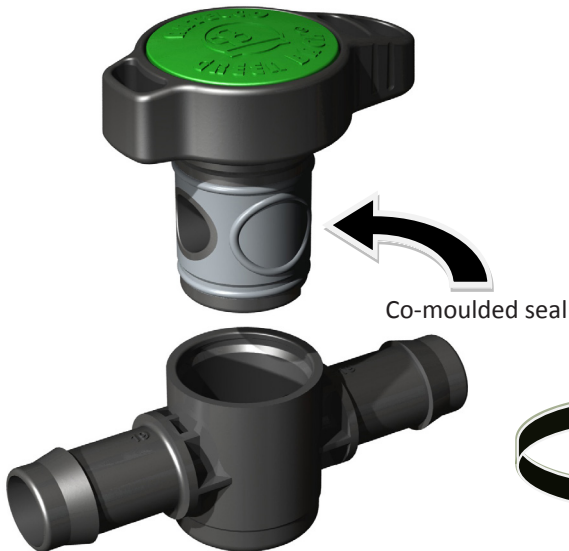


Threaded Green Back® Valve
3/4" BSPM



3/4" BSPM Threaded Green Back® Valve

TYPE	ORDER CODE	PACK QUANTITY	PACKS PER CARTON	CARTON (kg)
GREEN BACK® VALVE 18 mm barb x 3/4" BSPM	46685	20	9	10.2
GREEN BACK® VALVE 19 mm barb x 3/4" BSPM	46695	20	9	10.2
GREEN BACK® VALVE 21 mm barb x 3/4" BSPM	46595	20	9	10.3



Putting water where it counts!®

www.antelco.com

ANTELCO PTY LTD - AUSTRALIA
Tel +61 8 8416 9000 Fax +61 8 8416 9099
Email adelaide@antelco.com.au
Scan this QR Code with your Smart Phone and check out our website!

