

# Duratuf<sup>®</sup> FORTRESS SHEDS

Quality - Made Affordable

## ASSEMBLY INSTRUCTIONS



## TUF LOCKER

BASE SIZE 1810mm x 685mm



## ASSEMBLY INSTRUCTIONS

### Tools Required:

- Drill
- Drill Bit 3.5mm
- Drill Bit 6mm (for clear roof panel only)
- Riveter
- Hammer
- Nail Punch
- Tape Measure
- Ladder or Saw stool
- String Line
- Masonry Drill and 10mm Masonry Bit (for Bolt Down Kit only)

### Before you start:

- Read all instructions carefully.
- Identify all parts and check quantities against checklist.
- If you are making your own floor refer to Raised Base Plate section now.

### Safety:

- Do not attempt to build your shed in high winds.
- Beware of sharp edges.
- Protect your eyes and ears.
- Use electric tools with care. Use a Safety Trip Switch.
- It is easier and quicker if this shed is erected by two people.

### Select your site:



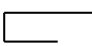
- Your shed must be level. Achieve this by either levelling the ground or by using blocks.
- If your shed is to be positioned on wet or damp ground, we recommend that your shed is raised up off the ground slightly.

# TUF LOCKER PARTS LIST

COLOUR: \_\_\_\_\_ INV #: \_\_\_\_\_

ROOF SIZE: 1.845 x 0.820

BASE SIZE: 1.810 x 0.685

QTY	LENGTH	DESCRIPTION	CHECKED OUT	CHECKED IN
3	1.890	Corner Wall Sheets	<input type="checkbox"/>	<input type="checkbox"/>
1	1.890	3/4 Corner Wall Sheet (D008)	<input type="checkbox"/>	<input type="checkbox"/>
1	1.890	Wall Sheet	<input type="checkbox"/>	<input type="checkbox"/>
1	.820	Roof Sheet <b>Or</b>	<input type="checkbox"/>	<input type="checkbox"/>
1	.820	Clear Roof Panel	<input type="checkbox"/>	<input type="checkbox"/>
2	.820	Folded Roof Sheets	<input type="checkbox"/>	<input type="checkbox"/>
1		Door	<input type="checkbox"/>	<input type="checkbox"/>
<b>TIMBER</b>				
<b>BASE PLATES</b>				
2	1.810	Front & Back - Green 45 x 45 H4	<input type="checkbox"/>	<input type="checkbox"/>
2	.685	Ends - Green 45 x 45 H4	<input type="checkbox"/>	<input type="checkbox"/>
<b>TOP PLATES</b>				
1	1.810	Front - Red 45 x 45 H1	<input type="checkbox"/>	<input type="checkbox"/>
1	1.810	Back - Red 70 x 45 H1	<input type="checkbox"/>	<input type="checkbox"/>
2	.685	Ends - Red 45 x 45 H1	<input type="checkbox"/>	<input type="checkbox"/>
6	1.810	Studs - Yellow 45 x 45 H1	<input type="checkbox"/>	<input type="checkbox"/>
2	0.595	End Wall Nogs 45 x 45 H1	<input type="checkbox"/>	<input type="checkbox"/>
1	0.318	Front Left Nog 45 x 45 H1	<input type="checkbox"/>	<input type="checkbox"/>
1	0.441	Front Right Nog 45 x 45 H1	<input type="checkbox"/>	<input type="checkbox"/>
1	1.720	Back Wall Nog 45 x 45 H1	<input type="checkbox"/>	<input type="checkbox"/>
<b>FLASHINGS</b>				
2	1.890	Door Jambs 	<input type="checkbox"/>	<input type="checkbox"/>
1	1.845	Ridge Cap Flashing 	<input type="checkbox"/>	<input type="checkbox"/>
1	1.845	Roof Flashing 	<input type="checkbox"/>	<input type="checkbox"/>
1		Hardware Pack	<input type="checkbox"/>	<input type="checkbox"/>
<b>SECURITY</b>				
2		Latches	<input type="checkbox"/>	<input type="checkbox"/>
1		Clear Panel Hardware Pack	<input type="checkbox"/>	<input type="checkbox"/>
1		Assembly Instructions	<input type="checkbox"/>	<input type="checkbox"/>
1		Touch-up Paint & Brush	<input type="checkbox"/>	<input type="checkbox"/>

PACKED BY: \_\_\_\_\_

DATE: / /

# TUF LOCKER TIMBER FRAME

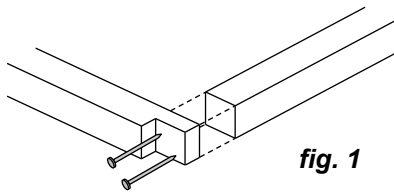
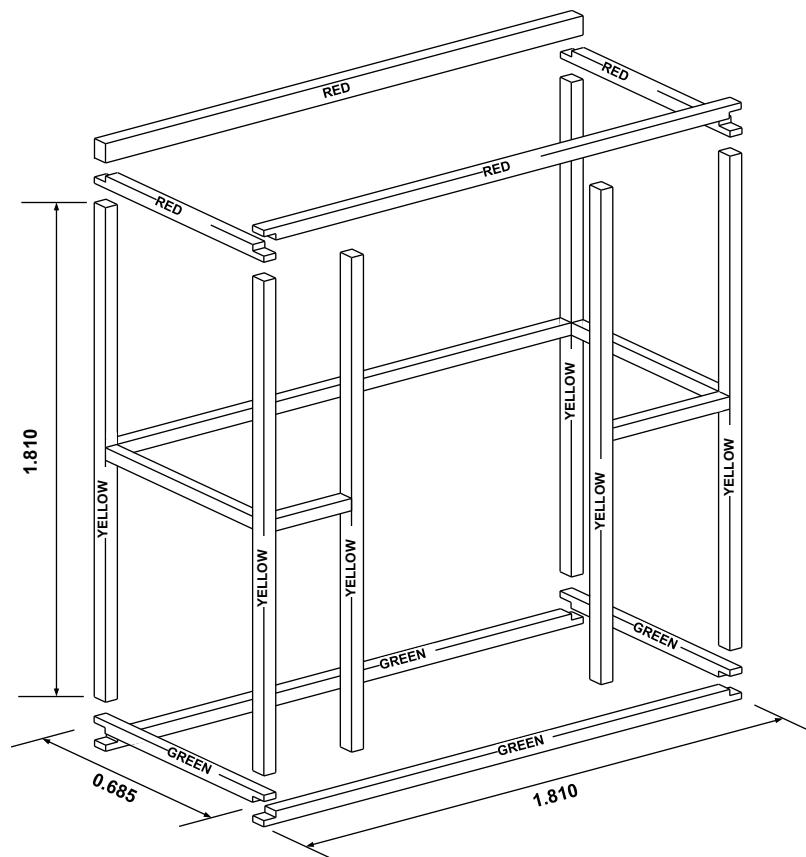


fig. 1

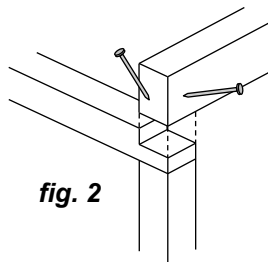


fig. 2

**Note:** For sheds being positioned on a Purpose Built Floor, shorten Studs by 30mm now (Refer to Floor Section).

**Step 1:** Select one End Base Plate 0.685m (Green), one End Top Plate 0.685m (Red) and two Studs (Yellow). Lay out on flat surface and nail together using two 75mm nails per joint (**fig. 1**). Repeat with the other end frame.

**Step 2:** Select Back and Front Base Plates 1.810m (Green), Front Top Plate 1.810m (Red) and Back Top Plate (70x45mm). With one End Frame lying on the ground, nail plates to frame, two 75mm nails per joint. Ensure Green joins to Green and Red joins to Red. See (**fig. 2**) for nailing detail on Top Back Plate (70x45mm).

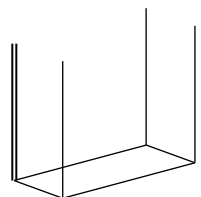
**Step 3:** Position remaining End Frame on top of plates. While someone supports frame, nail in place using two 75mm nails per joint.

**Step 4:** Carefully roll frame over onto its base. Nail on Back and End Wall Nogs .882m above the top of the Bottom plate. If fitting a Duratuf Floor, fit Floor Joists now. Evenly space joists and nail in place using three 75mm nails per end. Nail Front wall Studs (Yellow) using Front Wall Nogs to get correct position, Nail remaining Front Wall Nogs in centrally (this may be easier if the frame is rolled onto its Front wall).

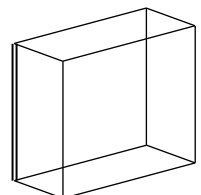
1



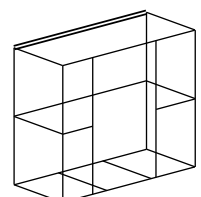
2



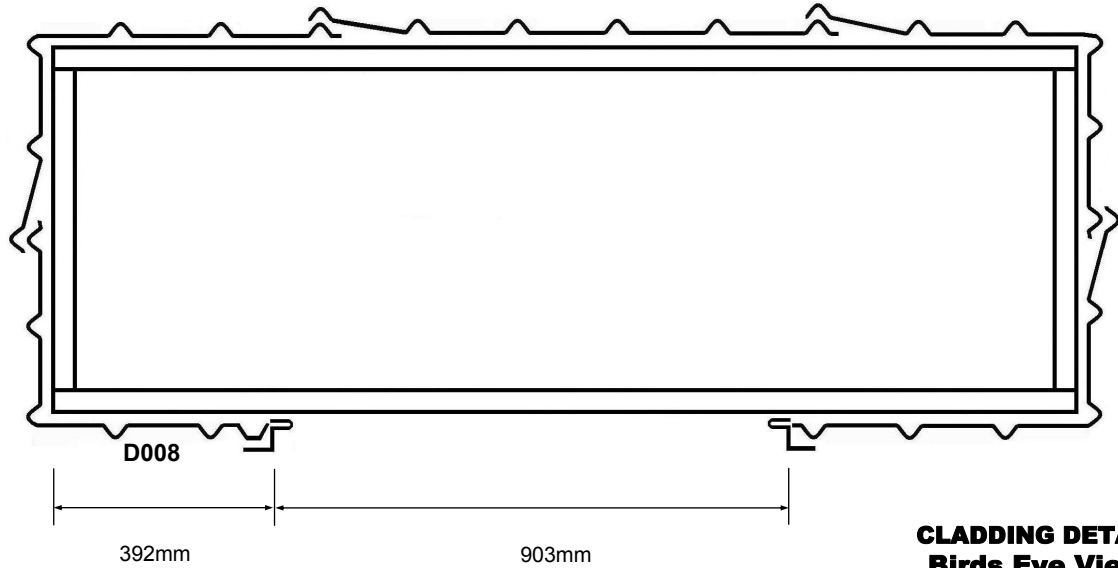
3



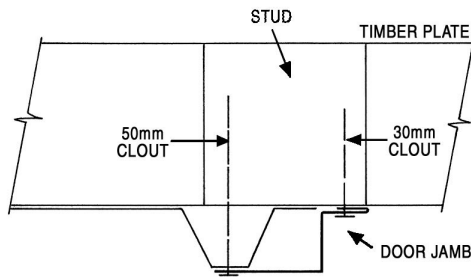
4



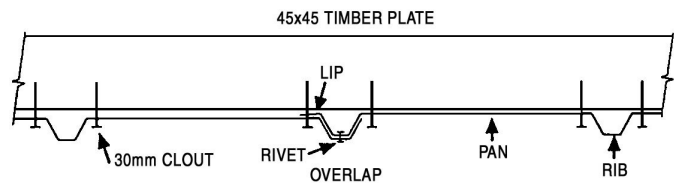
# TUF LOCKER WALL CLADDING



**CLADDING DETAIL  
Birds Eye View**



**fig. 1**



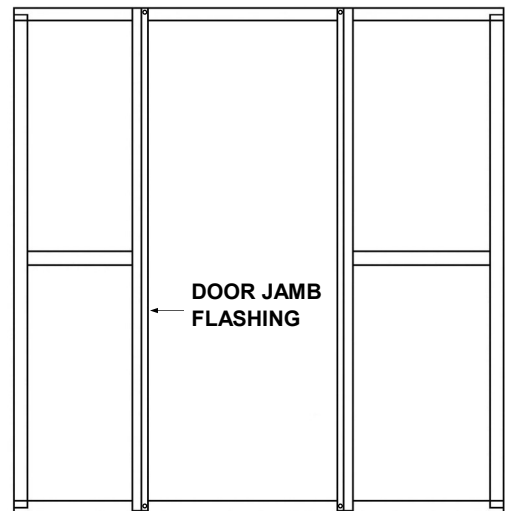
**fig. 2**

## To Avoid Corrosion:

Where at all possible try not to trap metal filings between two sheets. Remove all metal filings before riveting. Carbon in pencils reacts with the Zinc/Aluminium coating on steel. Use ink to mark steel.

**Step 1:** Door Jambs: Position left hand Door Jamb Flashing at correct measurement from left (**cladding detail**) and nail flush with top of Top Plate using a 30mm clout. Do not fit 50mm nails at this stage. Pre-drill holes to make nailing easier (**fig. 1**).

Position Door Jamb Flashing and nail at the bottom. Position right hand Door Jamb Flashing 903mm from left hand Door Jamb Flashing (**cladding detail**) and nail in place.

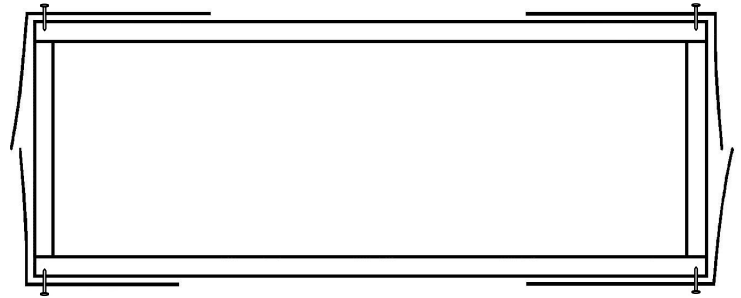


**FRONT VIEW**

# TUF LOCKER WALL CLADDING

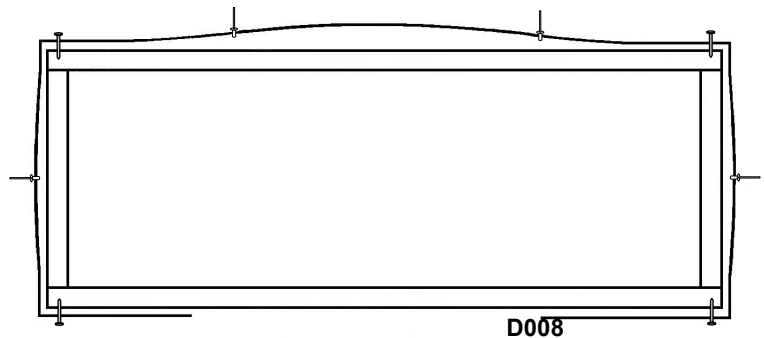
**Step 2: NOTE:** It is very important that the Wall Sheets are positioned exactly as shown in the *cladding detail* diagram on the previous page.

Position Corner Wall Sheets. Check that the Lip is on the correct side of the sheet. While holding Corner Wall Sheet flush with the top of the Top Plate, nail to plate using only one 30mm clout top and bottom. (Note: Wall Sheets at the back are positioned 47mm down from top of Top Plate.)



Birds Eye View

**Step 3:** Position remaining Wall Sheet. Ensure it overlaps correctly then rivet to Corner Wall Sheets, one rivet top and bottom on each overlap



↓ = Rivet      ↑ = 30mm Clout

**Step 4:** Nail Wall Sheets to Plates, two 30mm Clouts per pan top and bottom.

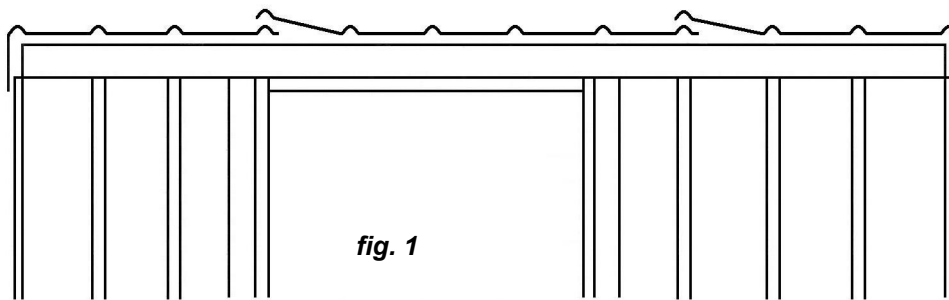
Nail Wall Sheets to Wall Nogs, one clout per pan.

**Step 5:** Drill a hole through Door Jamb Flashings and Wall Sheets top and bottom. Nail with 50mm nails (*fig. 1*).

Nail left hand Door Jamb Flashing to Stud using three 30mm Clouts at equal spacings (*fig. 1*). Beside each 30mm Clout, rivet Door Jamb Flashing to Rib. Repeat with right hand Door Jamb Flashing.



# TUF LOCKER ROOF



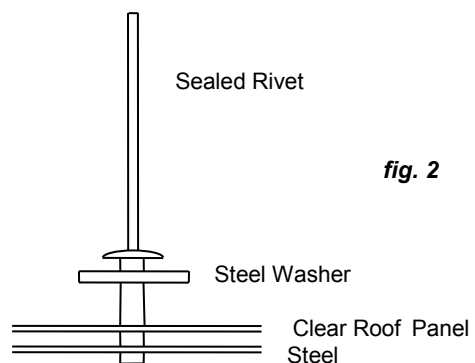
**Step 1: Note:** Condensation can form on the under side of shed roof. If building paper is required, fit now. Building paper will need to be supported by netting or roofing twine.

**Standard Roof:** Position Roof Sheets as shown in **fig. 1**. Make sure sheet joins at the back are flush. Rivet sheet joins, one rivet 200mm back from edge front and back.

**Roof with Clear Panel:** Handle Clear Panel with care. The Clear Panel will crack if not fitted correctly

- Riveting: Pre-drill 3.3mm hole through Clear Panel and steel.
- Nailing: Pre-drill a 6mm hole through Clear Panel. Hammer in nails with caution.

Position Roof Sheets as shown in **fig. 1**. When fitting Clear Panel ensure it OVERLAPS Roof Sheets. Rivet sheet joins, one rivet 200mm from edge front and back. When riveting Clear Panel to Roof Sheets use sealed rivet with steel washer (**fig. 2**).



**Step 2:** Position Roof Sheets. Ensure they do not protrude past the ribs on the back wall. The front overhang will measure approximately 120mm. Rivet roof to wall sheets using one rivet every second rib. Repeat at other end.



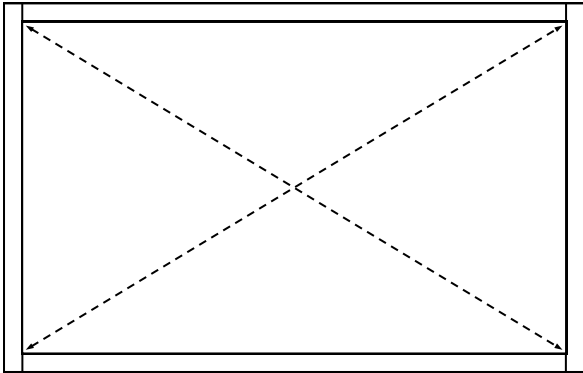
**Step 3:** Line up ribs on the roof with ribs on the walls. While someone holds the Front Plate straight, nail the roof to Top Plate using one 40mm Weatherseal nail beside each rib. Repeat at the back.



**Step 4:** Fit Roof Flashing and Ridge Cap Flashing as shown. When positioned correctly rivet through Roof Flashing into Roof Sheet joins. Rivet Ridge Cap Flashing to Roof Sheets and back Wall Sheets, one rivet every second rib.

# TUF LOCKER DOOR

NOTE: If shed has an optional security upgrade, please use Security door instructions on next page.



**Step 1:** Place shed in final position. Check diagonal measurements are equal and shed is level before fitting door.



**Step 2:** Hold Door in position so that door will clear Roof Flashing and fit one rivet to top hinge. While still holding in position fit one rivet to bottom hinge.



**Step 3:**

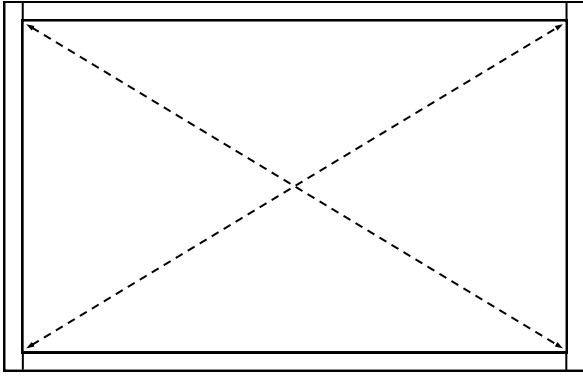
Close door and check it fits correctly. If not, drill out rivets and make necessary adjustments. Fit remaining rivets to all three hinges.



**Step 4:** Using rivets attach padbolt as shown.



# FORTRESS SECURITY DOOR (Optional)



**Step 1:** Place shed in final position. Check diagonal measurements are equal and shed is level before fitting door.



**Step 2:** Hold Door in position (approximately 5mm down from Top Plate Flashing) and fit one rivet to top hinge. While still holding in position fit one rivet to bottom hinge.



**Step 3:** Close door and check it fits correctly. If not, drill out rivets and make necessary adjustments. Fit remaining rivets to all three hinges.



**Step 4:** Slide the latch on to the handle shaft. Enter shed, close door and adjust latch so it is snug with the stud at the side of the door. Tighten up bolt on latch.

**Note:** Repeat Step 4 for second door handle if double security doors.

# TUF LOCKER FLOOR (Optional)



**Step 1:** Select the two Floor Boards which have checked out corners. Position at front and back of the shed so they fit around Studs.

**Step 2:** Lay out remaining Floor Boards. Nail in each Floor Board, two 50mm nails each end and two into each Floor Joist.

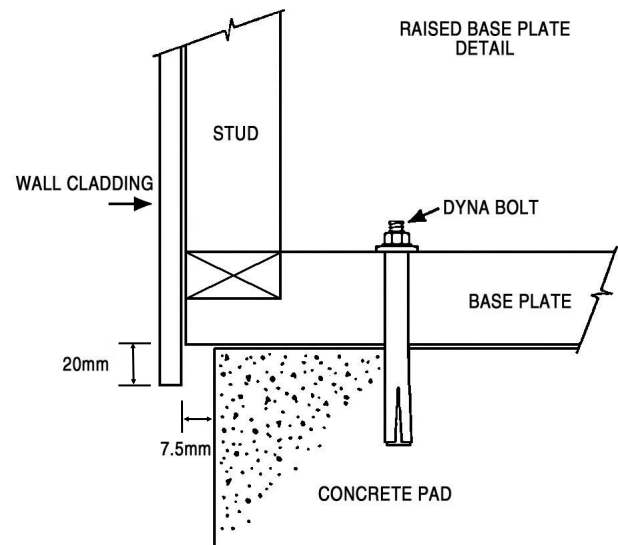
## PURPOSE BUILT FLOOR

*i.e. CONCRETE / PLYWOOD*

For sheds being placed on a purpose built floor, we recommend that the studs are shortened by 30mm. The Wall Sheets will then protrude 20mm below the Base Plate. This will stop water flowing in between the Base Plate and Floor.

If you choose this option, the Floor should be made 15mm smaller than Base Size.

**Note:** Although it is not essential, fitting Damp Proof Course in between the Base Plate and the Floor will give added protection against moisture.



# CLEAN UP

- Remove all metal filings with a soft brush or rag.
- Hose down roof and walls thoroughly.

# PAINTING

- Painting Zinc/Aluminium coated steel will extend its life in most environments
- The surface must be dry and free of dirt, oil, grease and other contaminants prior to painting, but no weathering of the surface is required
- Zinc rich primers are recommended for use, along with a two coat finishing system. Paint suppliers should be consulted for the most suitable paint system to ensure compatibility of primers and topcoats.





## DURATUF PREMIUM SHED WARRANTY

REFERENCE NO: \_\_\_\_\_

### GUARANTEE TO CUSTOMER

Congratulations on purchasing a Duratuf Storage Shed. With proper care and attention, this product will last many years. For your benefit **PLEASE READ THE FOLLOWING INFORMATION CAREFULLY.**

### WARRANTY ON METAL CLADDING

Riverlea Group Ltd guarantee that the metal roofing and wall cladding on Kiwi and Fortress Garden Sheds may be used in moderate and inland corrosion zones or areas where the first year mild steel corrosion rate is less than 200g/m<sup>2</sup>, and that in these conditions, they will not perforate due to corrosion within 18 years of date of manufacture.

### TERMS AND CONDITIONS

1. Damage or corrosion due to the following circumstances is not covered by this warranty.
  - ◆ Mechanical, chemical or other damage sustained during or after installation.  
**NOTE:** Clean swarf off shed **IMMEDIATELY** after assembly  
Do **NOT** mark cladding with pencil  
Do **NOT** allow manures, chemicals or other corrosive materials to have direct contact with cladding  
Chemical damage will result if these instructions are not carried out
  - ◆ Force majeure or other causes beyond the control of Riverlea Group Ltd.
2. This warranty does not cover material installed in severe and very severe environmental situations, or in any area where the mild steel corrosion rate (as published by BRANZ) exceeds 200g/m<sup>2</sup>.
3. Minimum maintenance must be carried out in accordance with instructions below.

Should the cladding fail to perform as specified above, the liability of Riverlea Group Ltd shall in all cases be limited to replacing or repairing the defective product. The balance of the original warranty will cover any repaired or replaced material. Riverlea Group Ltd will not be liable for any consequential loss or damage, labour or transport charges. All claims made in writing within 21 days of discovery, quoting the reference number at the top right hand corner of this page.

### MAINTENANCE

Following are the minimum maintenance requirements for cladding used in Kiwi Garden Sheds and Fortress Sheds.

- ◆ Washing all surfaces by rain, and annual hosing of sheltered areas using a hose and soft nylon brush.
- ◆ Within 2km of coast—wash every 3 months as above. After a storm, wash the cladding and the gutters as soon as possible to remove any highly corrosive salt deposits.
- ◆ Volcanic Ash Fallout—wash as soon as possible, removing fallout from roof and gutters
- ◆ Gutters to be kept clean of leaves and dirt.

Should you require additional technical information please contact us at the details below.

Thank you  
Riverlea Group Customer Services